



USA J&V TRADING LLC

Tel: +1 626 672 0098
E-mail: sales@jv-cn.com
Http: www.jv-cn.com
Add: 20519 e walnut dr north Walnut CA 91789

Hubei J&V Electric Technology Co., Ltd

Dangyang Jinqiao Industrial Park, Yichang City, Hubei Province
E-mail: sales@jv-cn.com
Http: www.jv-cn.com

GuangDong J&V Electronic Science and Technology Co.,Ltd

Tel: +86 0769 84560656
Fax: +86 0976 84560657
Mobile: +86 018688690255
E-mail: jacky_zhang@jv-cn.com; huajian168@126.com
Website: Http://www.jv-cn.com
Address: Zhang Yang FuDa Road 8#,zhangMuTou Town DongGuan City GuangDong Province,China



剑威



America



Hubei J&V



J&V

J&V
BEDEBUR

Lighting Systems And Components for Appliance Industry

2018

J&V[®]
BEDEBUR[®]



Oven Lamps

Lighting Systems And Components for
Appliance Industry

国际家电·特种照明·领导品牌

International . Appliances Special Lighting . Leading Brand



Oven Lamps

J&V INTELLIGENT TECHNOLOGY

关于剑威 About us

剑威科技有限公司是专业集设计和生产：家电照明、厨卫电器照明系统和燃气具安全控制，电控技术应用的研发企业。剑威科技的创新高速发展，现规模已成为全球高温灯具照明，厨电电器配件领导品牌。

年生产能力为2000万套左右，主要生产烤箱灯、烧烤炉照明灯，油烟机灯，冰箱灯，壁炉灯与控制器，LED旋钮灯，指示灯，燃气熄火保护装置，订制家电连接线束，家用电器金属开关。产品经过澳洲SAA、加拿大CSA、美国UL、德国TUV和CE认证，中国CQC。在北美和欧洲拥有多项发明专利。公司自主研发，科技创新，精益求精，吸引全球客户深度信赖，共同开发多方市场。

公司拥有一流的生产设备、先进的生产工艺及齐全的检测仪器和试验设备，为产品的生产能力和产品的质量奠定了坚实的基础。同时，具有雄厚的技术力量和丰富的生产经验，给到全球客户各类烤箱、炉具、烧烤炉、壁炉、蒸箱、烤箱灶，烟机的照明，电器控制，安全系统，设计，制造，达到最佳应用表现。

剑威科技人信心百倍，将会用更大的激情去挑战尖端科技，继续引领行业标准。



J&V Technology Co., Ltd.

J&V Technology Co., Ltd is specialized in designing and producing lighting lamps of home appliances, kitchen appliances lighting systems, gas appliances safety control parts and electronic control technology application parts. J&V has become world's leading brand on high temperature lighting lamps and kitchen appliances parts industry.

Main products are lighting lamps of ovens, barbecue grills, range hoods, refrigerators, fireplaces and hearths, LED knob lights, indicator lights, gas flameout protection devices, appliances controllers, appliances metal switches and customize home appliances wiring harness. The annual production capacity is approximately 20 million sets. The products have passed Australian, Chinese, American and European certification, such as, SAA, CSA, UL, TUV, CE and CQC. Besides, a number of patents are owned in North America and Europe.

J&V has first-class production equipments, advanced production process and fully-equipped detecting instruments and testing equipments, with the strength of technological innovation, research the products independently, in addition to rich experiences in manufacturing. Consequently, related lighting, appliances controlling and electronic safety system of ovens, stoves, barbecue grills, fireplace, steamers, oven stoves, range hoods can be designed and manufactured in the company based on customers' specific requirements

J&V will unceasingly provide customers quality products and services, continue leading the industry standard.

企业文化 | ENTERPRISE CULTURE

■ 愿景 | Our Vision

作为国际家电照明系统专家
成为全球家电最信赖领导品牌

As an expert in international home appliance lighting systems
Become the most trusted leading brand in global home appliances

■ 使命 | Our Mission

促进家电照明行业发展
做一家负责任的良心企业

Promote the development of home appliance lighting industry
Be a conscientious and conscientious enterprise

■ 核心价值观 | Core value

质量第一 信誉至上 科技创新
服务创造价值 质量铸就品牌

Quality first, Reputation supreme, Scientific technological innovation
Service creates value, Quality creates brand



资质证书 Certificate

www.jv-cn.com



No. E469372



No. 70141582-270343



No. B 16 05 90567 003



No. N8A 16 05 90567 006



No. B 16 05 90567 005



No. B 17 03 90567 007



No. N5A 17 03 90567 008



No. N8A 16 05 90567 004

J&V Directory 产品目录



No. CQC16004142252



No. CQC16004142254



No. B-R15057334



No. GMA-102582-001

Company culture 01 企业文化

About J&V 02 关于剑威

Certificate 03 资质证书

Product advantages 07 产品优点

Product system 08 产品体系

Technical parameters 09 技术参数

Product display 13 产品展示

PRODUCT ADVANTAGES

产品优点

1

灯泡体积小，方便安装

Small bulb, Convenient Installation

2

发光均匀，避免受光不均

Uniform light, Avoid Uneven Light Reception

3

耐高温，灯泡最高温度可达550℃

High Temperature Resistance, Max Temperature Up to 550℃

4

显示指数高，还原实物色彩

High Display Index, Restore Object Hue

5

节能环保，省电省钱

Energy Saving and Environmental Protection, Power Saving Save Money

6

品质保证，通过UL、CSA、TUV、CE、CQC、RHOS、SAA、REACH认证

Quality Assurance, Pass UL, CSA, TUV, CE, CQC, ROHS, SAA, REACH Certification

PRODUCT SYSTEM

产品体系

- 烤箱灯方形安装口尺寸30*70毫米
/Oven lamps for rectangular cut-30*70mm



- 烤箱灯方形安装口尺寸55*70毫米
/Oven lamps for rectangular cut-55*70mm



- 烤箱灯圆形安装口直径35.5毫米
/Oven lamps for round cut-φ35.5mm



- 烤箱灯圆形安装口直径48毫米
/Oven lamps for round cut-φ48mm



- 烤箱灯圆形安装口直径67毫米
/Oven lamps for round cut-φ67mm



- 蒸汽炉灯/洗碗机灯/LED烤炉灯
/Steam furnace lighting/ Dishwasher light/ BBQ LAMP LED



All articles in this catalogue have been designed according to the appropriate national and international standards (CE\VDE\IEC\UL\SAA\CCC\TUV). The choice of product and correct technical embodiment is the sole responsibility of the user.

Further information on request. We reserve the right to modify products.

When regulations deviate from IEC, e.g. UL, other ratings are possible.

Please also note the general information at the end of this catalogue and the directions for use.

Explanation of the symbols shown on the product pages



Temperature rating T 300 (Continuous use)

Declaration of the rated temperature. This is the maximum operating temperature for which the lampholder is designed. The measuring point of the temperature is on the lamp cap for Edison screw lampholders and at the lamp pin for halogen low voltage lampholders



Temperature rating / Temperature index according to UL



Oven lamp fitted with halogen mains voltage lamp

Cap and nominal voltage stated.



Oven lamp fitted with halogen low voltage lamp

Cap and nominal voltage stated.

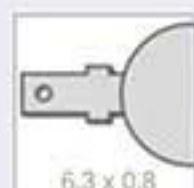


Oven lamp fitted with special Edison screw lamp

Cap and nominal voltage stated.

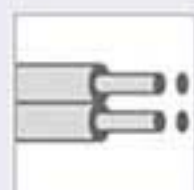


Light distribution curve on request



Tab terminal for electrical connection and / or earthing

Indication in mm (In this example 6.3*0.8mm)



Twin push wire terminals



Single push wire terminals



For solid conductors within the cross sectional range stated

(In this example 0.5-1.0 mm²)
When regulations deviate from IEC, other cross sections are possible
(e.g. UL/CSA: cable 18 AWG)



For tinned wire ends within the cross sectional range stated

(In this example 0.5-1.0 mm²)
When regulations deviate from IEC, other cross sections are possible
(e.g. UL/CSA: cable 18 AWG)

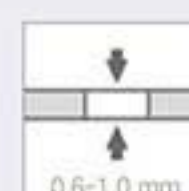


For wire ends with ferrule to the maximum diameter stated

(In this example max. φ 1.8mm)
The cable and termination used must be compatible in respect of:
Diameter and length of the ferrule, strip length of insulation.
For further information see DIN 46228, part 3, size 1-7



Wire ends with ferrule



Material thickness

Indication in mm (In this example 0.6-1.0 mm)



Lamp for self-cleaning ovens

The lamp was matched to the special requirements of self-cleaning ovens. E.g. special lenses made from borosilicate glass are available. However, the oven manufacturer must test the suitability himself, as the construction characteristics of different oven models and the embodiment can effect on the lamp.



Rating

Indication of rated values



CAD-Data in 2D or 3D format available



Additional information

Further information about the products shown on this page can be found on the pages shown within this symbol.

Insulating materials for lampholders Thermal properties	Thermoplastic						
	PC	PBT	PET	PA	POM	PPS	LCP
permissible continuous thermal stress in °C to the IEC standards for lampholders	up to 110°C	up to 180°C	up to 210°C	120°C	approx 85°C	up to 250°C	up to 270°C
*Limited temperature according to IEC 60598							
Chemical properties							
Weak acids	+	+/0	0	-	+	+	+
Strong acids	0/-	-	0/-	-	0/-	-	0
Weak alkalies	-	0	0	+	+	+	+
Strong alkalies	-	-	0/-	-	+/0	-	0/-
Alcohol	0/-	+	+/0	+/0	+	+/0	+/0
Ketones	-	-	0/-	+	0	0	+
Esters	-	0	0/-	+	+/0	0	0
Ether	-	+	0	+	+	+/0	
Hydrocarbon chloride	-	+/-	0/-	+/0	+	0	
Benzol	-	0/-	+	+	0	0	
Cleaning benzin [aroma free]	+	+	+	+	+	+	+
Fuel mixes	0/-	+	+/0	+	+	+	+/0
Mineral oils	+/0	+	+	+	+	+	+
Animal and vegetable oils	+	+	+	+	+	+	

+ = resistant 0= limited resistance - = not resistant
 In applications the chemical resistance is dependent on many parameters, therefore this data can only be considered as recommended value.

Technical properties	Insulation material				
	PVC	Silicone	FEP	PTFE,PFA	Glass silk
	Conductor material				
	Cu/Cu tin plated	Cu tin plated	Cu tin plated	Cu nickel plated	Nickel or CU with 27% nickel plated
Properties	Temperature resistance				
	-30°C--+105°C	-60°C--+180°C	-100°C--+180°C	-190°C--+250°C	-60°C--+450°C
Thermal resistance	-	+	+	++	+++
Electrical strength	+	++	+++	+++	+++
Mechanical strength	0	-	++	++	++
Chemical resistance	-	+	++	++	++
Notched charpy impact strength	-	-	+	+	++
Fracture strength,abrasion resistance	-	0	+	+	++
Abrasion	-	0	+	+	+
Flexibility	+	++	0	0	-
Weather-,ozone- and ageing resistance	-	+	+	+	+
Not inflammable	-	-	+	+	++
Halogen free	-	+	-	-	+
Light resistant [also UV]	-	0	+	+	+
Pyrolysis	-	-	-	-	+
Price	++	+	0	-	--
Applicability for ignition voltage	0	++	+	+	++
Usual characteristics [examples]					
Nominal cross section	0.5mm ²	0.75mm ²		1.0mm ²	0.5mm ²
Outer diameter	2mm	2.4mm	1.6-1.8mm	1.8-2.0mm	2.5mm
Nominal voltage		300V		300/600V	

0= adequate + = good ++ = better +++ = very good - = bad -- = very bad
 In application these properties are dependent on many parameters, therefore this data can only be considered as recommended value.

Comparison of AWG cross sections to metric cross sections for multi stranded, fine stranded and finest stranded wires

AWG	approx.mm ²
23	0.34
22	0.35
20	0.5
19	0.75
18	1
16	1.5
14	2.5
12	4
10	6

热·烤箱灯 HOT Oven lamps



型号/Model 88.11.1.13

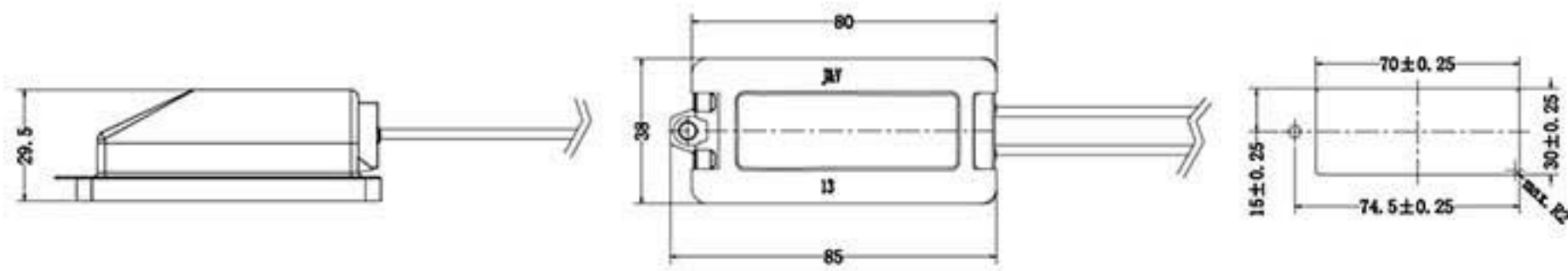
安装尺寸/Installation Size 30*70mm

端子/Terminal 250 母端子/
Female Terminal(6.3*0.8)

灯罩安装方式/
Lamp Shade Installation Way 卡入式/Snap-in



认证/
Certified



Related product parameters

产品编码 Product Code	产品功率 Power	电线型号 Wires	电线耐温 Temperature	固定方式 fixing	灯泡型号 Bulb Type	电压 Voltage	灯罩材料 Lens	灯座材质 Lampholder	灯壳材料 Reflector														
88.11.1.13.43110	5W	10362/18#	max , 250°C	Screw fixing 螺丝固定	G4	12V	borosilicate glass 550°C 高硼硅玻璃, 最 高温度 550°C	Steatite 陶瓷	Stainless steel 不锈钢表面														
88.11.1.13.43150	5W	5128/18#	max , 450°C																				
88.11.1.13.43210	10W	10362/18#	max , 250°C																				
88.11.1.13.43250	10W	5128/18#	max , 450°C																				
88.11.1.13.43410	20W	10362/18#	max , 250°C																				
88.11.1.13.43450	20W	5128/18#	max , 450°C																				
88.11.1.13.51510	25W	10362/18#	max , 250°C																				
88.11.1.13.51550	25W	5128/18#	max , 450°C																				
88.11.1.13.52510	25W	10362/18#	max , 250°C																				
88.11.1.13.52550	25W	5128/18#	max , 450°C																				
88.11.1.13.53210	10W	10362/18#	max , 250°C																				
88.11.1.13.53450	20W	5128/18#	max , 450°C																				

• Other cable versions on request

热·烤箱灯 HOT Oven lamps



型号/Model 88.211.1.13

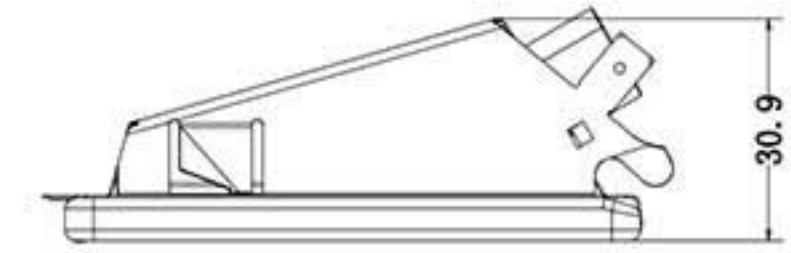
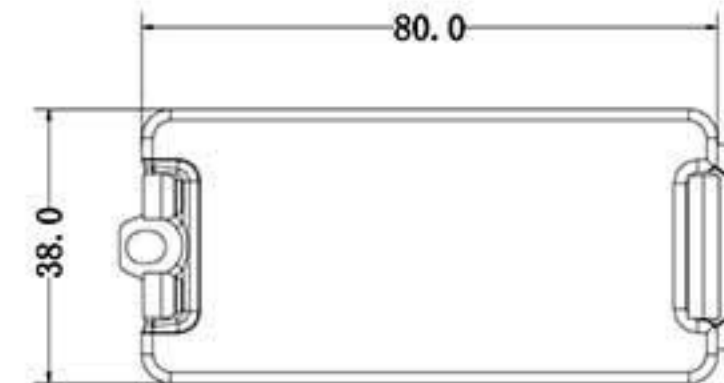
安装尺寸/Installation Size 30*70mm

端子/Terminal 250 母端子/
Female Terminal(6.3*0.8)

灯罩安装方式/
Lamp Shade Installation Way 卡入式/Snap-in



认证/
Certified



Related product parameters

产品编码 Product Code	产品功率 Power	电线型号 Wires	电线耐温 Temperature	固定方式 fixing	灯泡型号 Bulb Type	电压 Voltage	灯罩材料 Lens	灯座材质 Lampholder	灯壳材料 Reflector															
88.211.1.13.91510	25W	10362/18#	max , 250°C	Screw fixing 螺丝固定	G9	220-250V	borosilicate glass 550°C 高硼硅玻璃, 最 高温度 550°C	Steatite 陶瓷	Stainless steel 不锈钢表面															
88.211.1.13.91550	25W	5128/18#	max , 450°C																					
88.211.1.13.92510	25W	10362/18#	max , 250°C																					
88.211.1.13.92550	25W	5128/18#	max , 450°C																					
88.211.1.13.92710	25W	5128/18#	max , 450°C																					
88.211.1.13.92750	25W	10362/18#	max , 250°C																					
88.211.1.13.91710	25W	5128/18#	max , 450°C																					
88.211.1.13.91750	25W	5128/18#	max , 450°C																					

• Other cable versions on request

热·烤箱灯 HOT Oven lamps

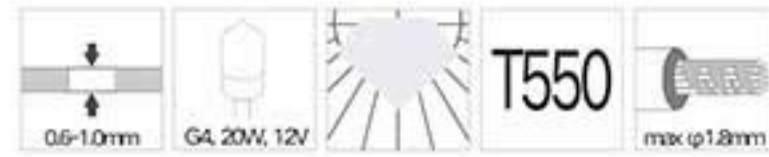


型号/Model 88.11.1.12

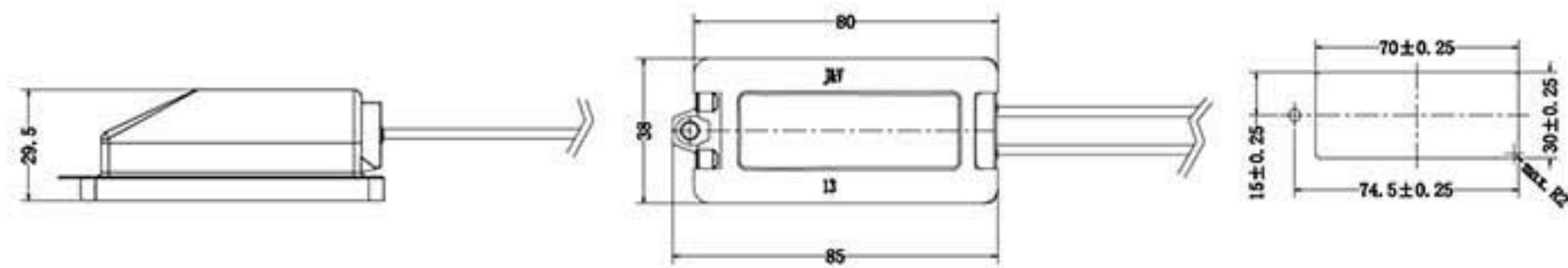
安装尺寸/Installation Size 30*70mm

端子/Terminal 250 母端子/
Female Terminal(6.3*0.8)

灯罩安装方式/
Lamp Shade Installation Way 卡入式/Snap-in



认证/
Certified



HOT Oven lamps

Related product parameters

产品编码 Product Code	产品功率 Power	电线型号 Wires	电线耐温 Temperature	固定方式 fixing	灯泡型号 Bulb Type	电压 Voltage	灯罩材料 Lens	灯座材质 Lampholder	灯壳材料 Reflector
88.11.1.1243110	5W	10362/18#	max, 250°C	Screw fixing 螺丝固定	G4	12V	borosilicate glass 550°C 高硼硅玻璃, 最 高温度 550°C	Steatite 陶瓷	Stainless steel 不锈钢表面
88.11.1.1243150	5W	5128/18#	max, 450°C						
88.11.1.1243210	10W	10362/18#	max, 250°C						
88.11.1.1243250	10W	5128/18#	max, 450°C						
88.11.1.1243410	20W	10362/18#	max, 250°C						
88.11.1.1243450	20W	5128/18#	max, 450°C						
88.11.1.1251510	25W	10362/18#	max, 250°C		G5.3	110V			
88.11.1.1251550	25W	5128/18#	max, 450°C			110V			
88.11.1.1252510	25W	10362/18#	max, 250°C			230V			
88.11.1.1252550	25W	5128/18#	max, 450°C			230V			
88.11.1.1253210	10W	10362/18#	max, 250°C			12V			
88.11.1.1253450	20W	5128/18#	max, 450°C			12V			

* Other cable versions on request

热·烤箱灯 HOT Oven lamps

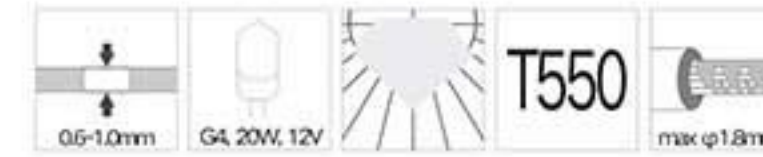


型号/Model 88.11.1.13

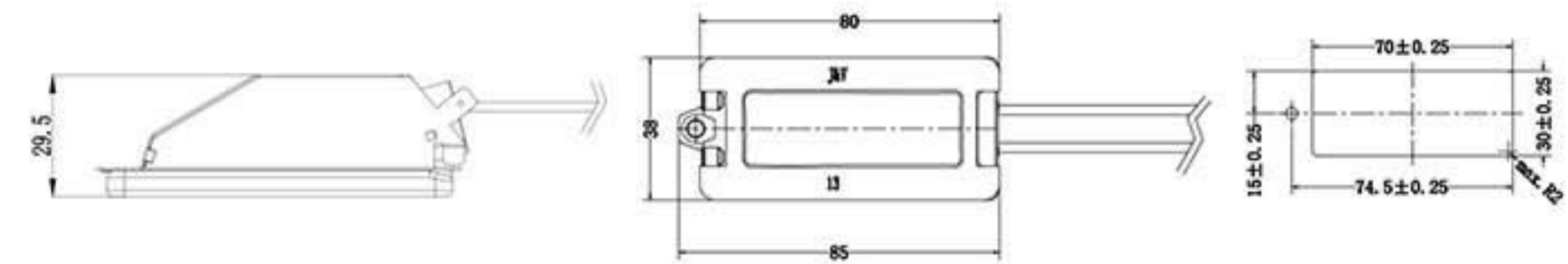
安装尺寸/Installation Size 30*70mm

端子/Terminal 250 母端子/
Female Terminal(6.3*0.8)

灯罩安装方式/
Lamp Shade Installation Way 卡入式/Snap-in



认证/
Certified



HOT Oven lamps

Related product parameters

产品编码 Product Code	产品功率 Power	电线型号 Wires	电线耐温 Temperature	固定方式 fixing	灯泡型号 Bulb Type	电压 Voltage	灯罩材料 Lens	灯座材质 Lampholder	灯壳材料 Reflector
88.11.1.1343110	5W	10362/18#	max, 250°C	Screw fixing 螺丝固定	G4	12V	borosilicate glass 550°C 高硼硅玻璃, 最 高温度 550°C	Steatite 陶瓷	Stainless steel 不锈钢表面
88.11.1.1343150	5W	5128/18#	max, 450°C						
88.11.1.1343210	10W	10362/18#	max, 250°C						
88.11.1.1343250	10W	5128/18#	max, 450°C						
88.11.1.1343410	20W	10362/18#	max, 250°C						
88.11.1.1343450	20W	5128/18#	max, 450°C						
88.11.1.1351510	25W	10362/18#	max, 250°C		G5.3	110V			
88.11.1.1351550	25W	5128/18#	max, 450°C			110V			
88.11.1.1352510	25W	10362/18#	max, 250°C			230V			
88.11.1.1352550	25W	5128/18#	max, 450°C			230V			
88.11.1.1353210	10W	10362/18#	max, 250°C			12V			
88.11.1.1353450	20W	5128/18#	max, 450°C			12V			

* Other cable versions on request

热·烤箱灯 HOT Oven lamps



型号/Model 88.111.1.13

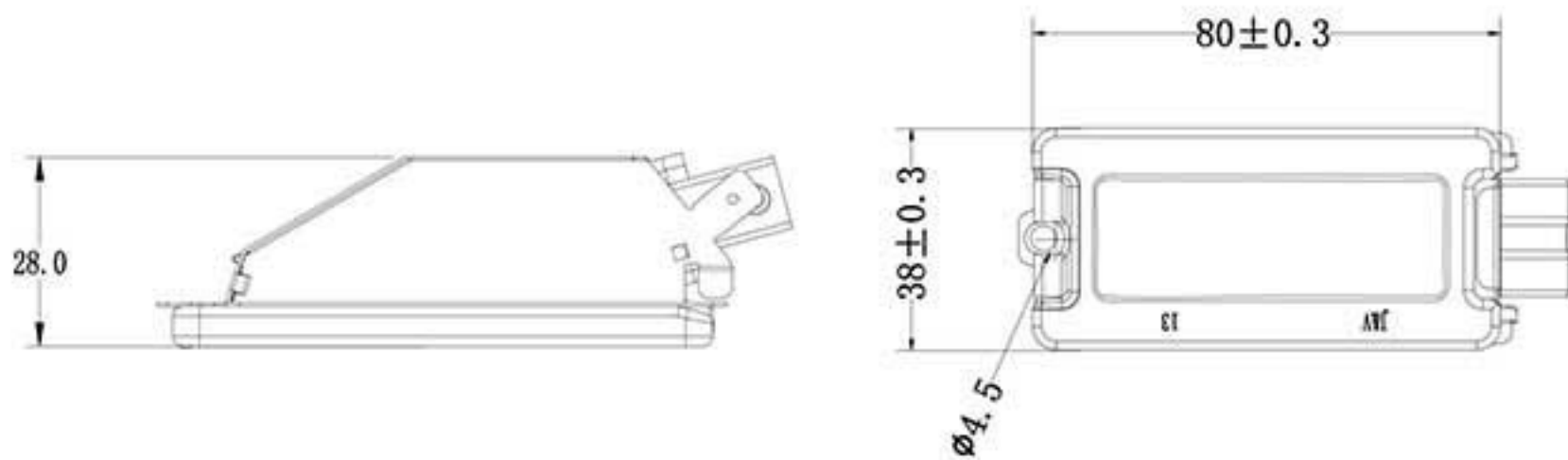
安装尺寸/Installation Size 30*70mm

端子/Terminal 250 母端子/
Female Terminal(6.3*0.8)

灯罩安装方式/
Lamp Shade Installation Way 卡入式/Snap-in



认证/
Certified



HOT Oven lamps

Related product parameters

产品编码 Product Code	产品功率 Power	电线型号 Wires	电线耐温 Temperature	固定方式 fixing	灯泡型号 Bulb Type	电压 Voltage	灯罩材料 Lens	灯座材质 Lampholder	灯壳材料 Reflector			
88.111.1.1343110	5W	10362/18#	max , 250°C	Screw fixing 螺丝固定	G4	12V	borosilicate glass 550°C 高硼硅玻璃, 最 高温度 550°C	Steatite 陶瓷	Stainless steel 不锈钢表面			
88.111.1.1343150	5W	5128/18#	max , 450°C									
88.111.1.1343210	10W	10362/18#	max , 250°C									
88.111.1.1343250	10W	5128/18#	max , 450°C									
88.111.1.1343410	20W	10362/18#	max , 250°C									
88.111.1.1343450	20W	5128/18#	max , 450°C									
88.111.1.1351510	25W	10362/18#	max , 250°C									
88.111.1.1351550	25W	5128/18#	max , 450°C									
88.111.1.1352510	25W	10362/18#	max , 250°C		G5.3	110V						
88.111.1.1352550	25W	5128/18#	max , 450°C									
88.111.1.1353210	10W	10362/18#	max , 250°C									
88.111.1.1353450	20W	5128/18#	max , 450°C									
										110V		
											110V	
												230V
				230V								
				12V								
				12V								

• Other cable versions on request

热·烤箱灯 HOT Oven lamps

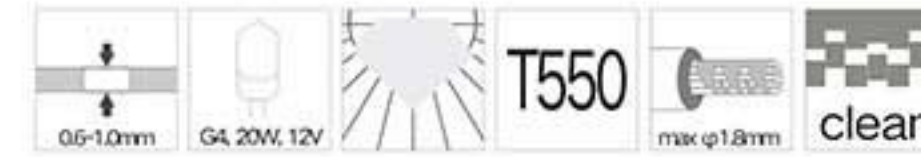


型号/Model 88.111.1.13

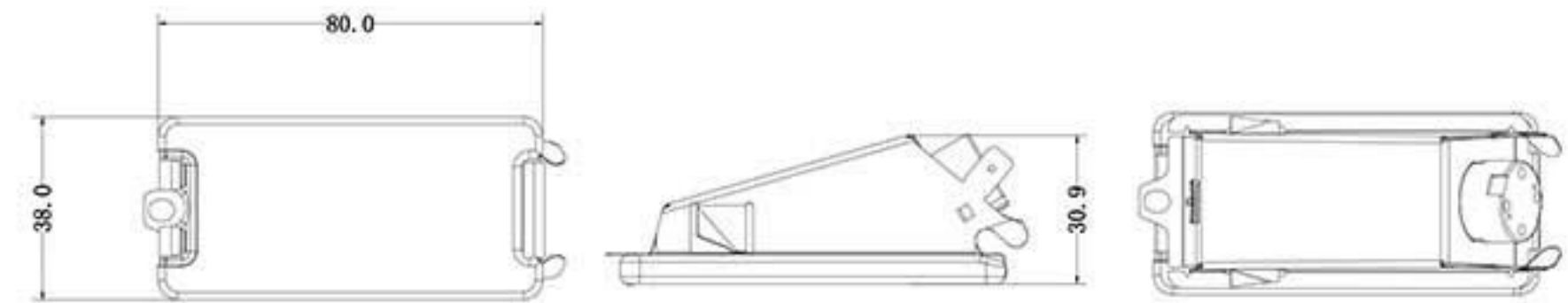
安装尺寸/Installation Size 30*70mm

端子/Terminal 250 母端子/
Female Terminal(6.3*0.8)

灯罩安装方式/
Lamp Shade Installation Way 卡入式/Snap-in



认证/
Certified



HOT Oven lamps

Related product parameters

产品编码 Product Code	产品功率 Power	电线型号 Wires	电线耐温 Temperature	固定方式 fixing	灯泡型号 Bulb Type	电压 Voltage	灯罩材料 Lens	灯座材质 Lampholder	灯壳材料 Reflector			
88.111.1.1343110	5W	10362/18#	max , 250°C	Screw fixing 螺丝固定	G4	12V	borosilicate glass 550°C 高硼硅玻璃, 最 高温度 550°C	Steatite 陶瓷	Stainless steel 不锈钢表面			
88.111.1.1343150	5W	5128/18#	max , 450°C									
88.111.1.1343210	10W	10362/18#	max , 250°C									
88.111.1.1343250	10W	5128/18#	max , 450°C									
88.111.1.1343410	20W	10362/18#	max , 250°C									
88.111.1.1343450	20W	5128/18#	max , 450°C									
88.111.1.1351510	25W	10362/18#	max , 250°C									
88.111.1.1351550	25W	5128/18#	max , 450°C									
88.111.1.1352510	25W	10362/18#	max , 250°C		G5.3	110V						
88.111.1.1352550	25W	5128/18#	max , 450°C									
88.111.1.1353210	10W	10362/18#	max , 250°C									
88.111.1.1353450	20W	5128/18#	max , 450°C									
										110V		
											110V	
												230V
				230V								
				12V								
				12V								

• Other cable versions on request

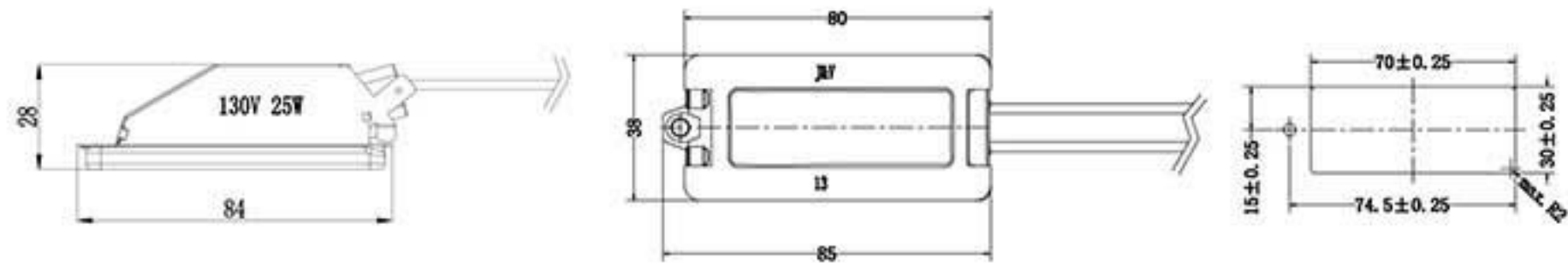
热·烤箱灯 HOT Oven lamps



型号/Model 88.21.1.13
 安装尺寸/Installation Size 30*70mm
 端子/Terminal 250 母端子/
 Female Terminal(6.3*0.8)
 灯罩安装方式/
 Lamp Shade Installation Way 卡入式/Snap-in



认证/
 Certified



Related product parameters

产品编码 Product Code	产品功率 Power	电线型号 Wires	电线耐温 Temperature	固定方式 fixing	灯泡型号 Bulb Type	电压 Voltage	灯罩材料 Lens	灯座材质 Lampholder	灯壳材料 Reflector
88.21.1.1391510	25W	10362/18#	max, 250°C	Screw fixing 螺丝固定	G9	220-250V	borosilicate glass 550°C 高硼硅玻璃, 最 高温度550°C	Steatite 陶瓷	Stainless steel 不锈钢表面
88.21.1.1391550	25W	5128/18#	max, 450°C			220-250V			
88.21.1.1392510	25W	10362/18#	max, 250°C			110-130V			
88.21.1.1392550	25W	5128/18#	max, 450°C			110-130V			

• Other cable versions on request

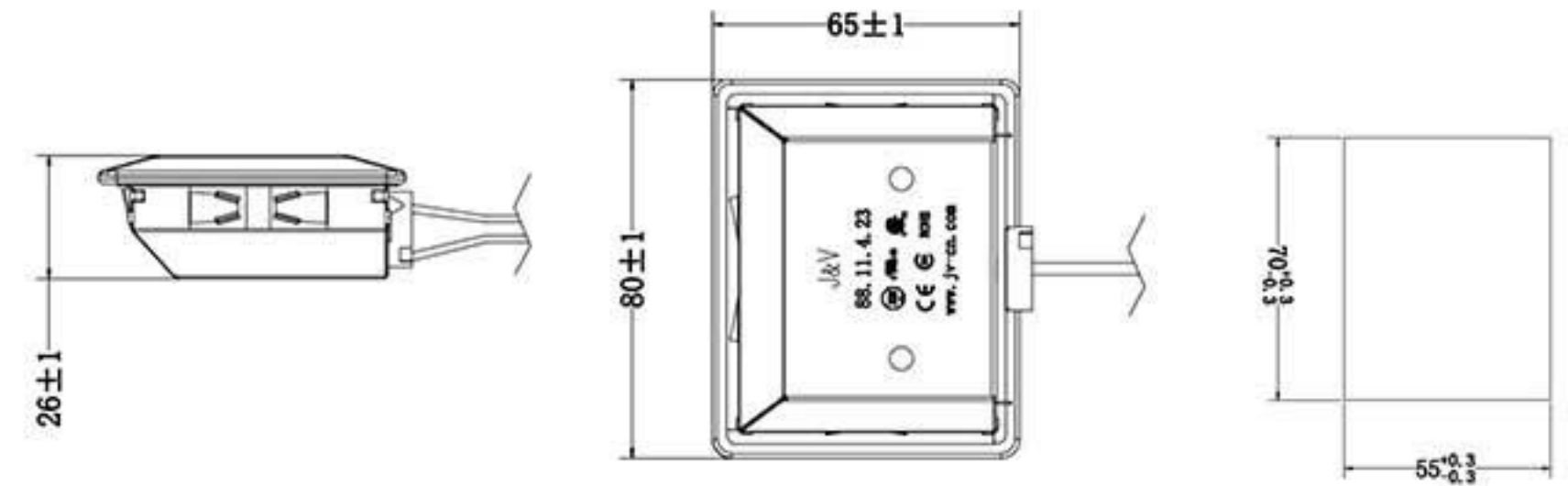
热·烤箱灯 HOT Oven lamps



型号/Model 88.11.4.23
 安装尺寸/Installation Size 55*70mm
 端子/Terminal 250 母端子/
 Female Terminal(6.3*0.8)
 灯罩安装方式/
 Lamp Shade Installation Way 卡入式/Snap-in



认证/
 Certified



Related product parameters

产品编码 Product Code	产品功率 Power	电线型号 Wires	电线耐温 Temperature	固定方式 fixing	灯泡型号 Bulb Type	电压 Voltage	灯罩材料 Lens	灯座材质 Lampholder	灯壳材料 Reflector	
88.11.4.2343110	5W	10362/18#	max, 250°C	Snap in fixing 卡入式	G4	12V	borosilicate glass 550°C 高硼硅玻璃, 最 高温度550°C	Steatite 陶瓷	Stainless steel 不锈钢表面	
88.11.4.2343150	5W	5128/18#	max, 450°C							
88.11.4.2343210	10W	10362/18#	max, 250°C							
88.11.4.2343250	10W	5128/18#	max, 450°C							
88.11.4.2343410	20W	10362/18#	max, 250°C							
88.11.4.2343450	20W	5128/18#	max, 450°C							
88.11.4.2351510	25W	10362/18#	max, 250°C							
88.11.4.2351550	25W	5128/18#	max, 450°C							
88.11.4.2352510	25W	10362/18#	max, 250°C		G5.3	110V 230V				
88.11.4.2352550	25W	5128/18#	max, 450°C							
88.11.4.2353210	10W	10362/18#	max, 250°C							
88.11.4.2353450	20W	5128/18#	max, 450°C							
88.11.4.2353210	10W	10362/18#	max, 250°C							12V
88.11.4.2353450	20W	5128/18#	max, 450°C							
88.11.4.2353210	10W	10362/18#	max, 250°C							
88.11.4.2353450	20W	5128/18#	max, 450°C							

• Other cable versions on request

热·烤箱灯 HOT Oven lamps



型号/Model 88.11.4.23

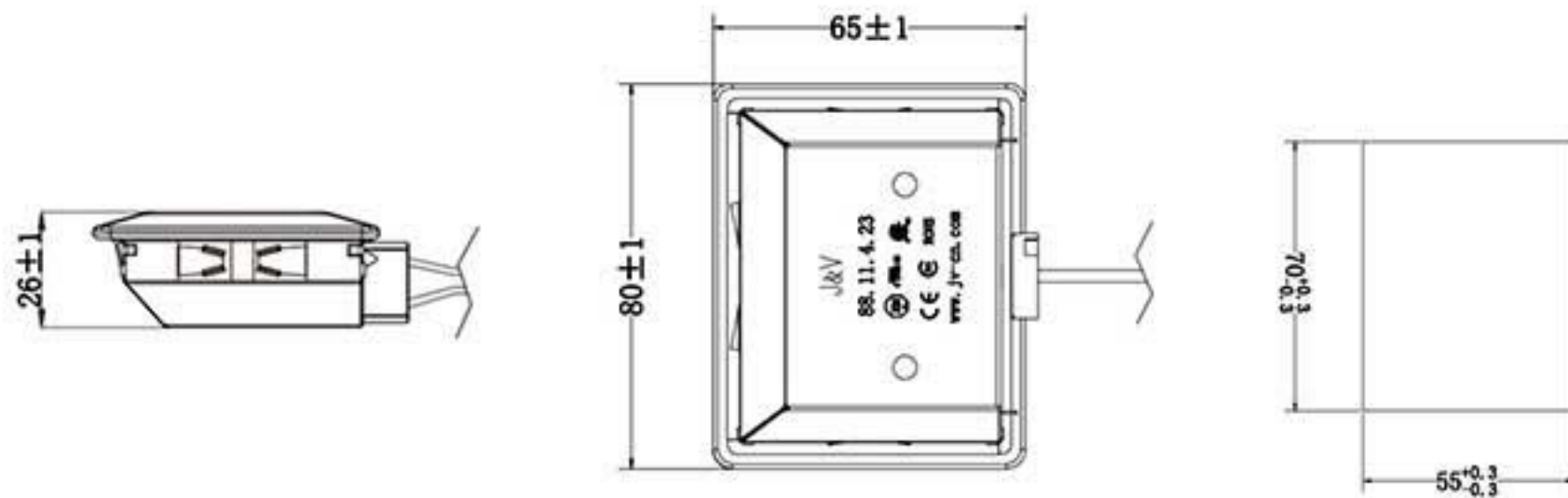
安装尺寸/Installation Size 55*70mm

端子/Terminal 250 母端子/
Female Terminal(6.3*0.8)

灯罩安装方式/
Lamp Shade Installation Way 卡入式/Snap-in



认证/
Certified



HOT Oven lamps

Related product parameters

产品编码 Product Code	产品功率 Power	电线型号 Wires	电线耐温 Temperature	固定方式 fixing	灯泡型号 Bulb Type	电压 Voltage	灯罩材料 Lens	灯座材质 Lampholder	灯壳材料 Reflector
88.11.4.23.43110	5W	10362/18#	max, 250°C	Snap in fixing 卡入式	G4	12V	borosilicate glass 550°C 高硼硅玻璃, 最 高温度 550°C	Steatite 陶瓷	Stainless steel 不锈钢表面
88.11.4.23.43150	5W	5128/18#	max, 450°C						
88.11.4.23.43210	10W	10362/18#	max, 250°C						
88.11.4.23.43250	10W	5128/18#	max, 450°C						
88.11.4.23.43410	20W	10362/18#	max, 250°C						
88.11.4.23.43450	20W	5128/18#	max, 450°C						

• Other cable versions on request

热·烤箱灯 HOT Oven lamps



型号/Model 88.21.4.23

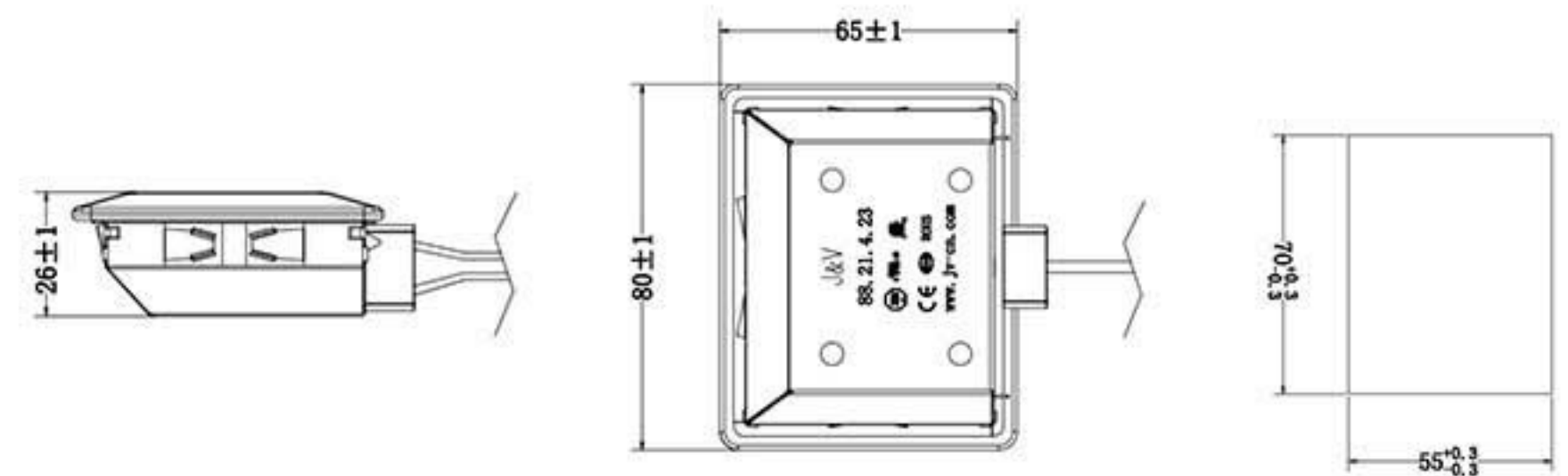
安装尺寸/Installation Size 55*70mm

端子/Terminal 250 母端子/
Female Terminal(6.3*0.8)

灯罩安装方式/
Lamp Shade Installation Way 卡入式/Snap-in



认证/
Certified



HOT Oven lamps

Related product parameters

产品编码 Product Code	产品功率 Power	电线型号 Wires	电线耐温 Temperature	固定方式 fixing	灯泡型号 Bulb Type	电压 Voltage	灯罩材料 Lens	灯座材质 Lampholder	灯壳材料 Reflector
88.21.4.23.91510	25W	10362/18#	max, 250°C	Screw fixing 螺丝固定	G9	220-250V	borosilicate glass 550°C 高硼硅玻璃, 最 高温度 550°C	Steatite 陶瓷	Stainless steel 不锈钢表面
88.21.4.23.91550	25W	5128/18#	max, 450°C			220-250V			
88.21.4.23.92510	25W	10362/18#	max, 250°C			110-130V			
88.21.4.23.92550	25W	5128/18#	max, 450°C			110-130V			
						110-130V			

• Other cable versions on request

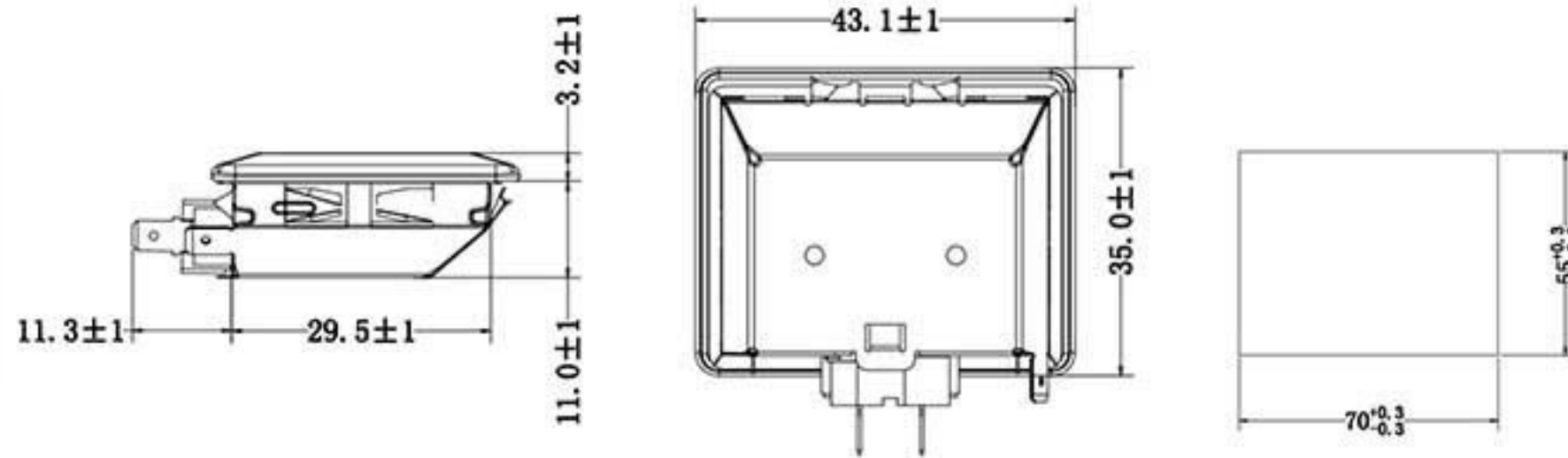
热·烤箱灯 HOT Oven lamps



型号/Model 88.51.4.23
 安装尺寸/Installation Size 55*70mm
 端子/Terminal 250 公端子/ Male Terminal(6.3*0.8)
 灯罩安装方式/ Lamp Shade Installation Way 卡入式/Snap-in



认证/ Certified CUL US CB US TÜV CE CQC

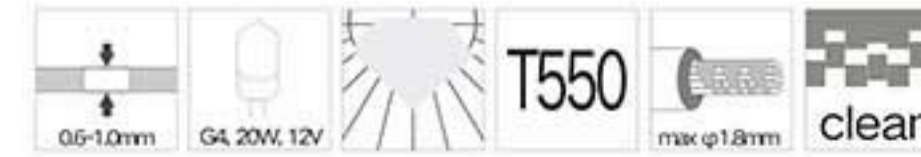


HOT Oven lamps

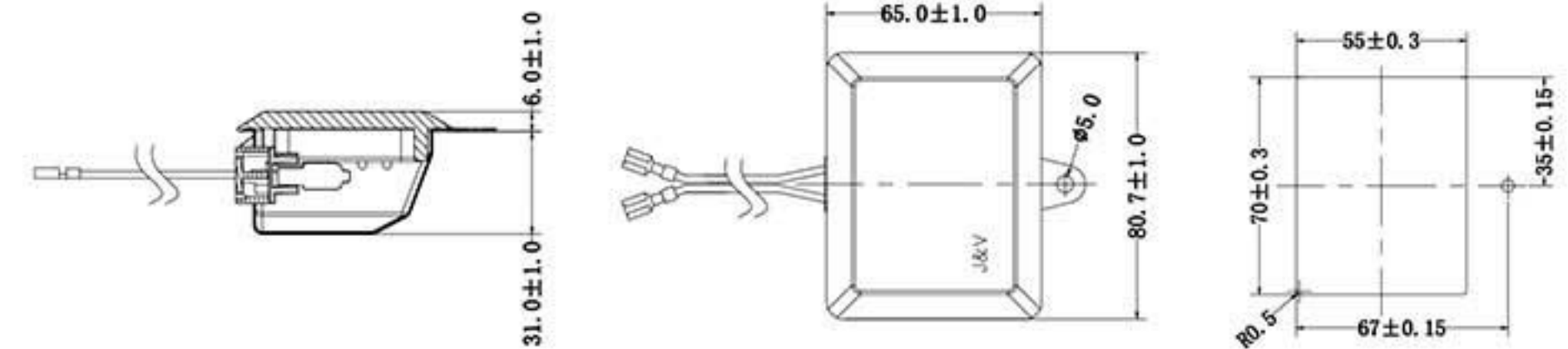
热·烤箱灯 HOT Oven lamps



型号/Model 88.11.2.22
 安装尺寸/Installation Size 55*70mm
 端子/Terminal 250 母端子/ Female Terminal(6.3*0.8)
 灯罩安装方式/ Lamp Shade Installation Way 卡入式/Snap-in



认证/ Certified CUL US CB US TÜV CE SAA



HOT Oven lamps

Related product parameters

产品编码 Product Code	产品功率 Power	固定方式 fixing	灯泡型号 Bulb Type	电压 Voltage	灯罩材料 Lens	灯座材质 Lampholder	灯壳材料 Reflector
88.51.4.23.9.2507	25W	Snap in fixing 卡入式	G9	220-250V	borosilicate glass 550°C 高硼硅玻璃, 最高温度 550°C	Steatite 陶瓷	Stainless steel 不锈钢表面
88.51.4.23.9.2707	40W			220-250V			
88.51.4.23.9.1507	25W			110-130V			
88.51.4.23.9.1707	40W			110-130V			
88.51.4.23.9.2508	25W			220-250V			
88.51.4.23.9.2708	40W			220-250V			
88.51.4.23.9.1508	25W			110-130V			
88.51.4.23.9.1708	40W			110-130V			

• Other cable versions on request

Related product parameters

产品编码 Product Code	产品功率 Power	电线型号 Wires	电线耐温 Temperature	固定方式 fixing	灯泡型号 Bulb Type	电压 Voltage	灯罩材料 Lens	灯座材质 Lampholder	灯壳材料 Reflector
88.11.2.22.4.3110	5W	10362/18#	max, 250°C	Screw fixing 螺丝固定	G4	12V	borosilicate glass 550°C 高硼硅玻璃, 最高温度 550°C	Steatite 陶瓷	Stainless steel 不锈钢表面
88.11.2.22.4.3150	5W	5128/18#	max, 450°C						
88.11.2.22.4.3210	10W	10362/18#	max, 250°C						
88.11.2.22.4.3250	10W	5128/18#	max, 450°C						
88.11.2.22.4.3410	20W	10362/18#	max, 250°C						
88.11.2.22.4.3450	20W	5128/18#	max, 450°C						
88.11.2.22.5.1510	25W	10362/18#	max, 250°C						
88.11.2.22.5.1550	25W	5128/18#	max, 450°C						
88.11.2.22.5.2510	25W	10362/18#	max, 250°C						
88.11.2.22.5.2550	25W	5128/18#	max, 450°C						
88.11.2.22.5.3210	10W	10362/18#	max, 250°C						
88.11.2.22.5.3450	20W	5128/18#	max, 450°C						
88.11.2.22.5.3210	10W	10362/18#	max, 250°C						
88.11.2.22.5.3450	20W	5128/18#	max, 450°C						

• Other cable versions on request

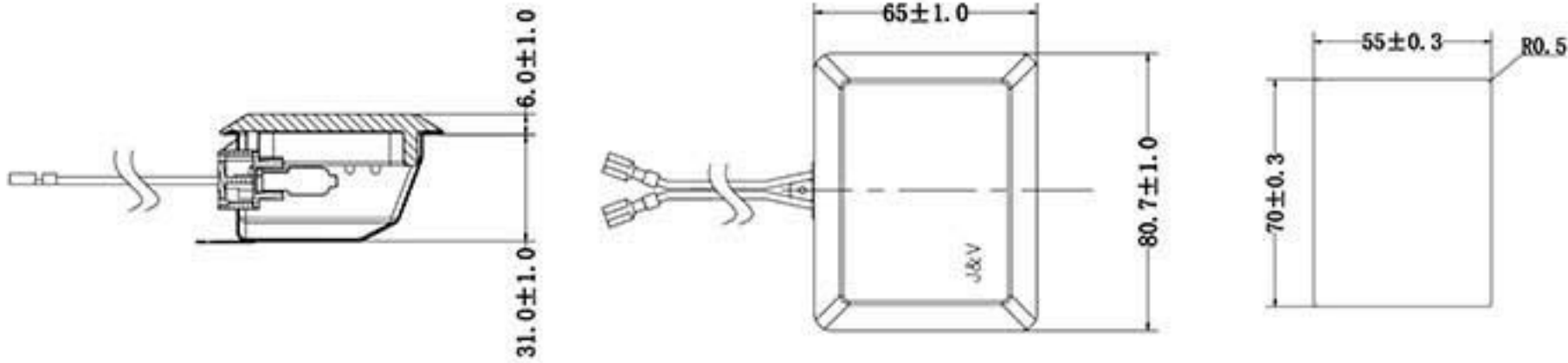
热·烤箱灯 HOT Oven lamps



型号/Model 88.11.4.21
 安装尺寸/Installation Size 55*70mm
 端子/Terminal 250 母端子/
 Female Terminal(6.3*0.8)
 灯罩安装方式/
 Lamp Shade Installation Way 卡入式/Snap-in



认证/
 Certified



HOT Oven lamps

Related product parameters

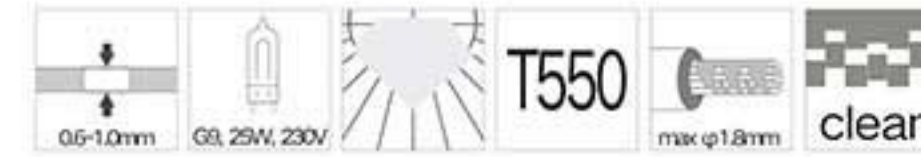
产品编码 Product Code	产品功率 Power	电线型号 Wires	电线耐温 Temperature	固定方式 fixing	灯泡型号 Bulb Type	电压 Voltage	灯罩材料 Lens	灯座材质 Lampholder	灯壳材料 Reflector
88.11.4.21.43110	5W	10362/18#	max , 250°C	Snap in fixing 卡入式	G4	12V	borosilicate glass 550°C 高硼硅玻璃, 最 高温度 550°C	Steatite 陶瓷	Stainless steel 不锈钢表面
88.11.4.21.43150	5W	5128/18#	max , 450°C						
88.11.4.21.43210	10W	10362/18#	max , 250°C						
88.11.4.21.43250	10W	5128/18#	max , 450°C						
88.11.4.21.43410	20W	10362/18#	max , 250°C						
88.11.4.21.43450	20W	5128/18#	max , 450°C						
88.11.4.21.51510	25W	10362/18#	max , 250°C						
88.11.4.21.51550	25W	5128/18#	max , 450°C						
88.11.4.21.52510	25W	10362/18#	max , 250°C						
88.11.4.21.52550	25W	5128/18#	max , 450°C						
88.11.4.21.53210	10W	10362/18#	max , 250°C						
88.11.4.21.53450	20W	5128/18#	max , 450°C						
88.11.4.21.53510	25W	10362/18#	max , 250°C						
88.11.4.21.53550	25W	5128/18#	max , 450°C						
88.11.4.21.54510	25W	10362/18#	max , 250°C						
88.11.4.21.54550	25W	5128/18#	max , 450°C						

• Other cable versions on request

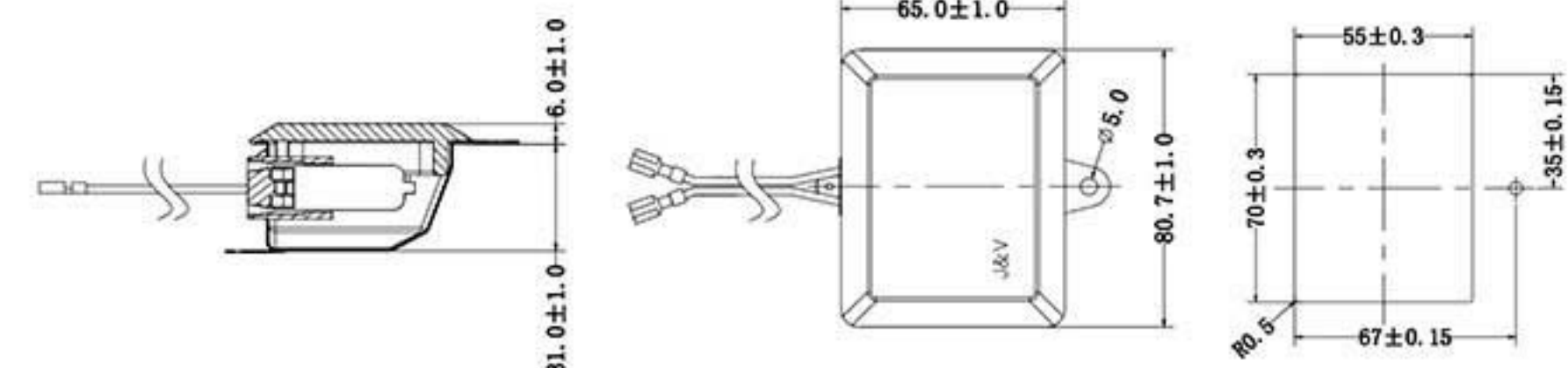
热·烤箱灯 HOT Oven lamps



型号/Model 88.21.2.22
 安装尺寸/Installation Size 55*70mm
 端子/Terminal 250 母端子/
 Female Terminal(6.3*0.8)
 灯罩安装方式/
 Lamp Shade Installation Way 卡入式/Snap-in



认证/
 Certified



HOT Oven lamps

Related product parameters

产品编码 Product Code	产品功率 Power	电线型号 Wires	电线耐温 Temperature	固定方式 fixing	灯泡型号 Bulb Type	电压 Voltage	灯罩材料 Lens	灯座材质 Lampholder	灯壳材料 Reflector
88.21.2.22.91510	25W	10362/18#	max , 250°C	Screw fixing 螺丝固定	G9	220-250V	borosilicate glass 550°C 高硼硅玻璃, 最 高温度 550°C	Steatite 陶瓷	Stainless steel 不锈钢表面
88.21.2.22.91550	25W	5128/18#	max , 450°C						
88.21.2.22.92510	25W	10362/18#	max , 250°C						
88.21.2.22.92550	25W	5128/18#	max , 450°C						
88.21.2.22.92710	25W	5128/18#	max , 450°C						
88.21.2.22.92750	25W	10362/18#	max , 250°C						
88.21.2.22.91710	25W	5128/18#	max , 450°C						
88.21.2.22.91750	25W	5128/18#	max , 450°C						
88.21.2.22.91510	25W	10362/18#	max , 250°C						
88.21.2.22.91550	25W	5128/18#	max , 450°C						
88.21.2.22.92510	25W	10362/18#	max , 250°C						
88.21.2.22.92550	25W	5128/18#	max , 450°C						

• Other cable versions on request

热·烤箱灯 HOT Oven lamps



型号/Model 88.21.4.22

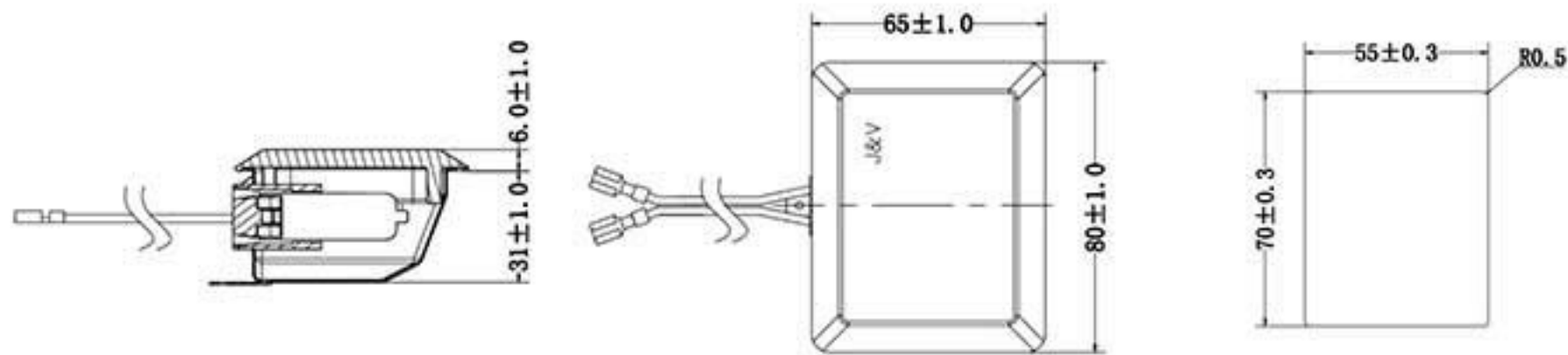
安装尺寸/Installation Size 55*70mm

端子/Terminal 250 母端子/
Female Terminal(6.3*0.8)

灯罩安装方式/
Lamp Shade Installation Way 卡入式/Snap-in



认证/
Certified



HOT Oven lamps

Related product parameters

产品编码 Product Code	产品功率 Power	电线型号 Wires	电线耐温 Temperature	固定方式 fixing	灯泡型号 Bulb Type	电压 Voltage	灯罩材料 Lens	灯座材质 Lampholder	灯壳材料 Reflector
88.21.4.22.91510	25W	10362/18#	max, 250°C	Snap in fixing 卡入式	G9	220-250V	borosilicate glass 550°C 高硼硅玻璃, 最 高温度 550°C	Steatite 陶瓷	Stainless steel 不锈钢表面
88.21.4.22.91550	25W	5128/18#	max, 450°C			220-250V			
88.21.4.22.92510	25W	10362/18#	max, 250°C			110-130V			
88.21.4.22.92550	25W	5128/18#	max, 450°C			110-130V			
88.21.4.22.92710	25W	5128/18#	max, 450°C			220-250V			
88.21.4.22.92750	25W	10362/18#	max, 250°C			220-250V			
88.21.4.22.91710	25W	5128/18#	max, 450°C			110-130V			
88.21.4.22.91750	25W	5128/18#	max, 450°C			110-130V			

• Other cable versions on request

热·烤箱灯 HOT Oven lamps



型号/Model 88.22.4.22

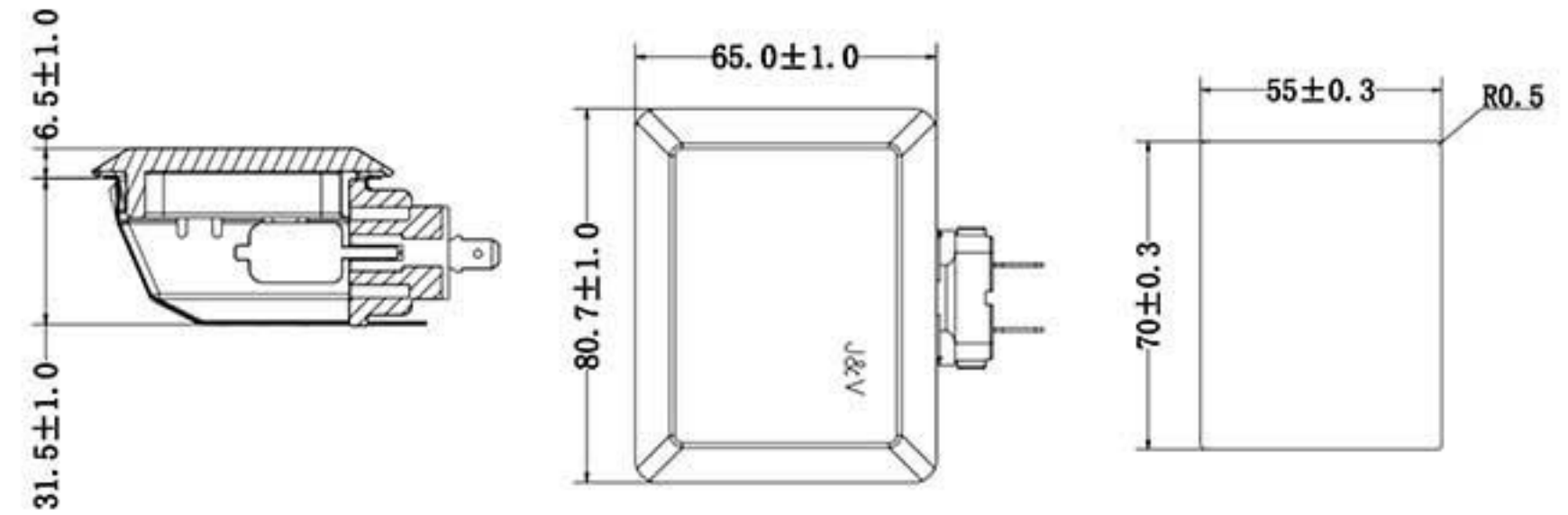
安装尺寸/Installation Size 55*70mm

端子/Terminal 250 公端子/
Male Terminal(6.3*0.8)

灯罩安装方式/
Lamp Shade Installation Way 卡入式/Snap-in



认证/
Certified



HOT Oven lamps

Related product parameters

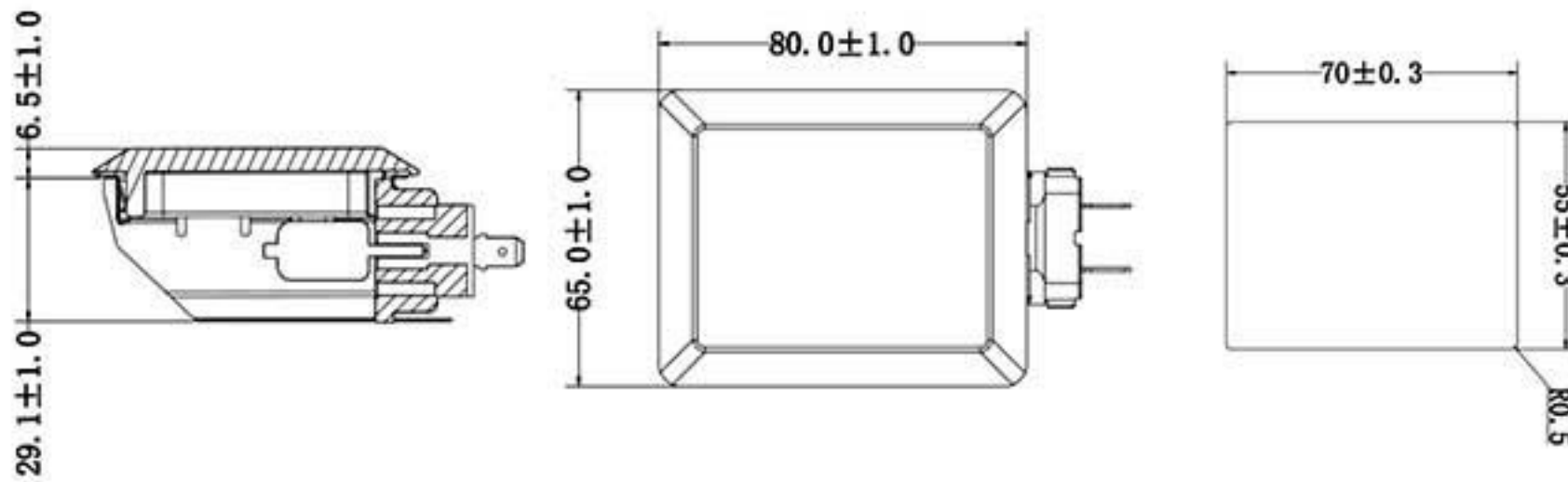
产品编码 Product Code	产品功率 Power	固定方式 fixing	灯泡型号 Bulb Type	电压 Voltage	灯罩材料 Lens	灯座材质 Lampholder	灯壳材料 Reflector
88.22.4.22.92507	25W	Snap in fixing 卡入式	G9	220-250V	borosilicate glass 550°C 高硼硅玻璃, 最 高温度 550°C	Steatite 陶瓷	Stainless steel 不锈钢表面
88.22.4.22.92707	40W			220-250V			
88.22.4.22.91507	25W			110-130V			
88.22.4.22.91707	40W			110-130V			
88.22.4.22.92508	25W			220-250V			
88.22.4.22.92708	40W			220-250V			
88.22.4.22.91508	25W			110-130V			
88.22.4.22.91708	40W			110-130V			

• Other cable versions on request

热·烤箱灯 HOT Oven lamps



型号/Model 88.22.7.25
 安装尺寸/Installation Size 55*70mm
 端子/Terminal 250 公端子/
 Male Terminal(6.3*0.8)
 灯罩安装方式/
 Lamp Shade Installation Way 卡入式/Snap-in



HOT Oven lamps

Related product parameters

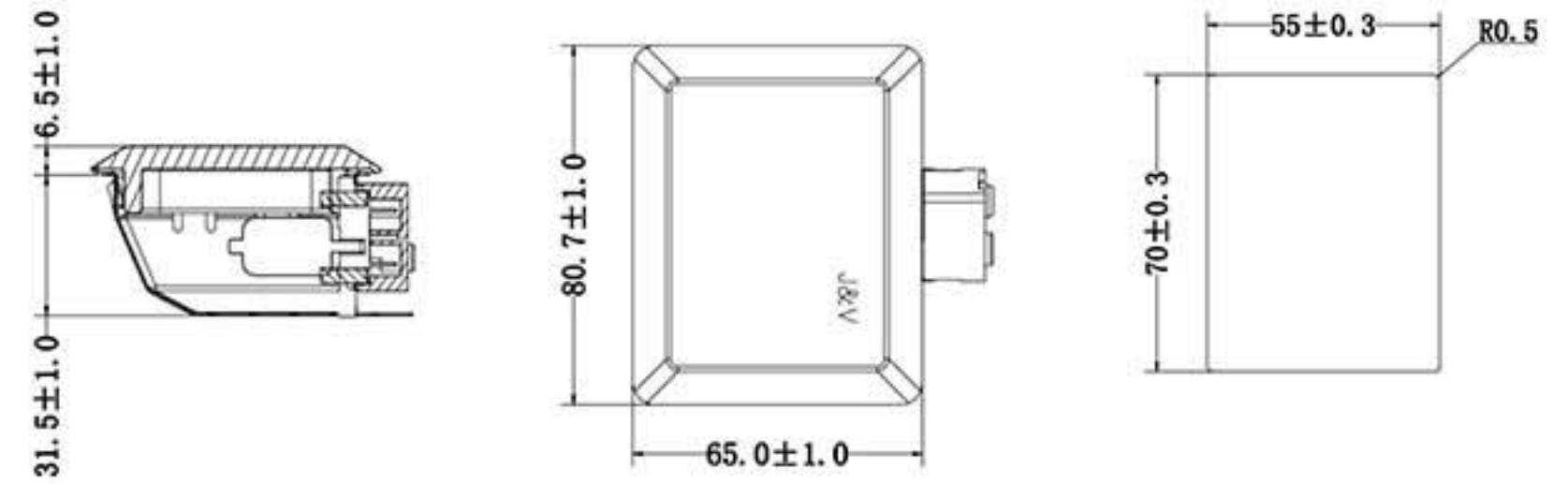
产品编码 Product Code	产品功率 Power	固定方式 fixing	灯泡型号 Bulb Type	电压 Voltage	灯罩材料 Lens	灯座材质 Lampholder	灯壳材料 Reflector
88.22.7.25.92507	25W	Snap in fixing 卡入式	G9	220-250V	borosilicate glass 550°C 高硼硅玻璃, 最 高温度 550°C	Steatite 陶瓷	Stainless steel 不锈钢表面
88.22.7.25.92707	40W			220-250V			
88.22.7.25.91507	25W			110-130V			
88.22.7.25.91707	40W			110-130V			
88.22.7.25.92508	25W			220-250V			
88.22.7.25.92708	40W			220-250V			
88.22.7.25.91508	25W			110-130V			
88.22.7.25.91708	40W			110-130V			

• Other cable versions on request

热·烤箱灯 HOT Oven lamps



型号/Model 88.23.4.21
 安装尺寸/Installation Size 55*70mm
 端子/Terminal 250 母端子/
 Female Terminal(6.3*0.8)
 灯罩安装方式/
 Lamp Shade Installation Way 卡入式/Snap-in



HOT Oven lamps

Related product parameters

产品编码 Product Code	产品功率 Power	电线型号 Wires	电线耐温 Temperature	固定方式 fixing	灯泡型号 Bulb Type	电压 Voltage	灯罩材料 Lens	灯座材质 Lampholder	灯壳材料 Reflector
88.23.4.21.91510	25W	10362/18#	max, 250°C	Snap in fixing 卡入式	G9	220-250V	borosilicate glass 550°C 高硼硅玻璃, 最 高温度 550°C	Steatite 陶瓷	Stainless steel 不锈钢表面
88.23.4.21.91550	25W	5128/18#	max, 450°C			220-250V			
88.23.4.21.92510	25W	10362/18#	max, 250°C			110-130V			
88.23.4.21.92550	25W	5128/18#	max, 450°C			110-130V			
88.23.4.21.92710	25W	5128/18#	max, 450°C			220-250V			
88.23.4.21.92750	25W	10362/18#	max, 250°C			220-250V			
88.23.4.21.91710	25W	5128/18#	max, 450°C			110-130V			
88.23.4.21.91750	25W	5128/18#	max, 450°C			110-130V			

• Other cable versions on request

热·烤箱灯 HOT Oven lamps



型号/Model 88.23.7.25

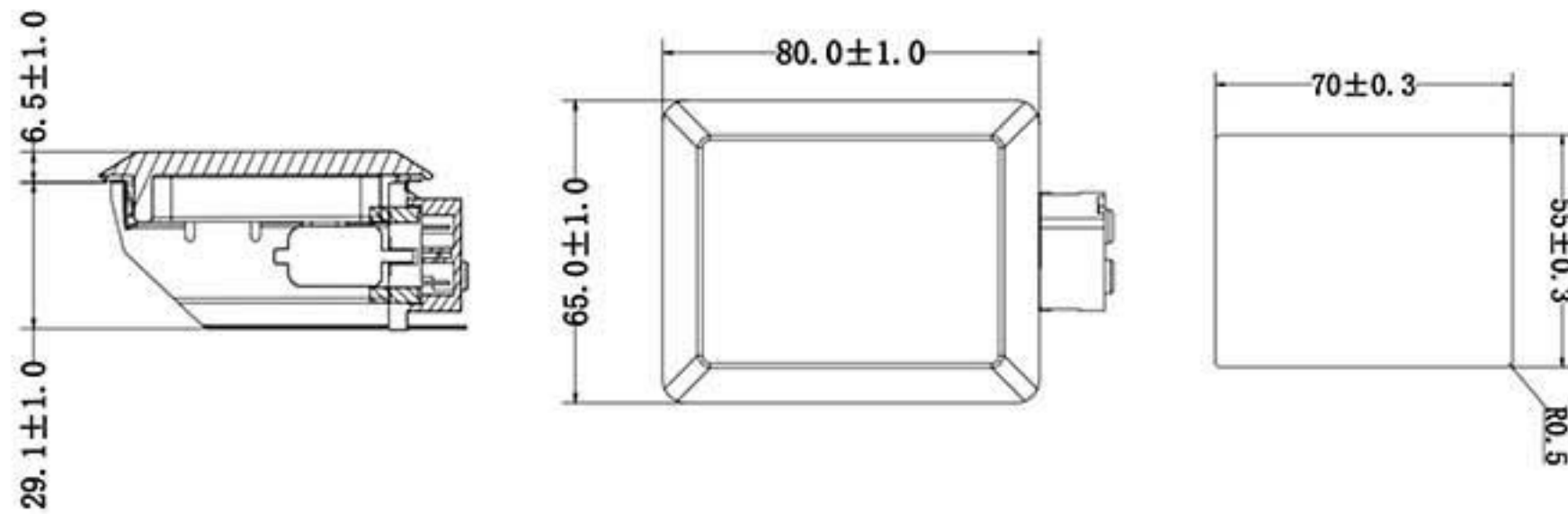
安装尺寸/Installation Size 55*70mm

端子/Terminal 250 母端子/
Female Terminal(6.3*0.8)

灯罩安装方式/
Lamp Shade Installation Way 卡入式/Snap-in



认证/
Certified



HOT Oven lamps

Related product parameters

产品编码 Product Code	产品功率 Power	电线型号 Wires	电线耐温 Temperature	固定方式 fixing	灯泡型号 Bulb Type	电压 Voltage	灯罩材料 Lens	灯座材质 Lampholder	灯壳材料 Reflector
88.23.7.25.91510	25W	10362/18#	max , 250°C	Snap in fixing 卡入式	G9	220-250V	borosilicate glass 550°C 高硼硅玻璃, 最 高温度 550°C	Steatite 陶瓷	Stainless steel 不锈钢表面
88.23.7.25.91550	25W	5128/18#	max , 450°C			220-250V			
88.23.7.25.92510	25W	10362/18#	max , 250°C			110-130V			
88.23.7.25.92550	25W	5128/18#	max , 450°C			110-130V			
88.23.7.25.92710	25W	5128/18#	max , 450°C			220-250V			
88.23.7.25.92750	25W	10362/18#	max , 250°C			220-250V			
88.23.7.25.91710	25W	5128/18#	max , 450°C			110-130V			
88.23.7.25.91750	25W	5128/18#	max , 450°C			110-130V			

• Other cable versions on request

热·烤箱灯 HOT Oven lamps



型号/Model 88.31.4.22

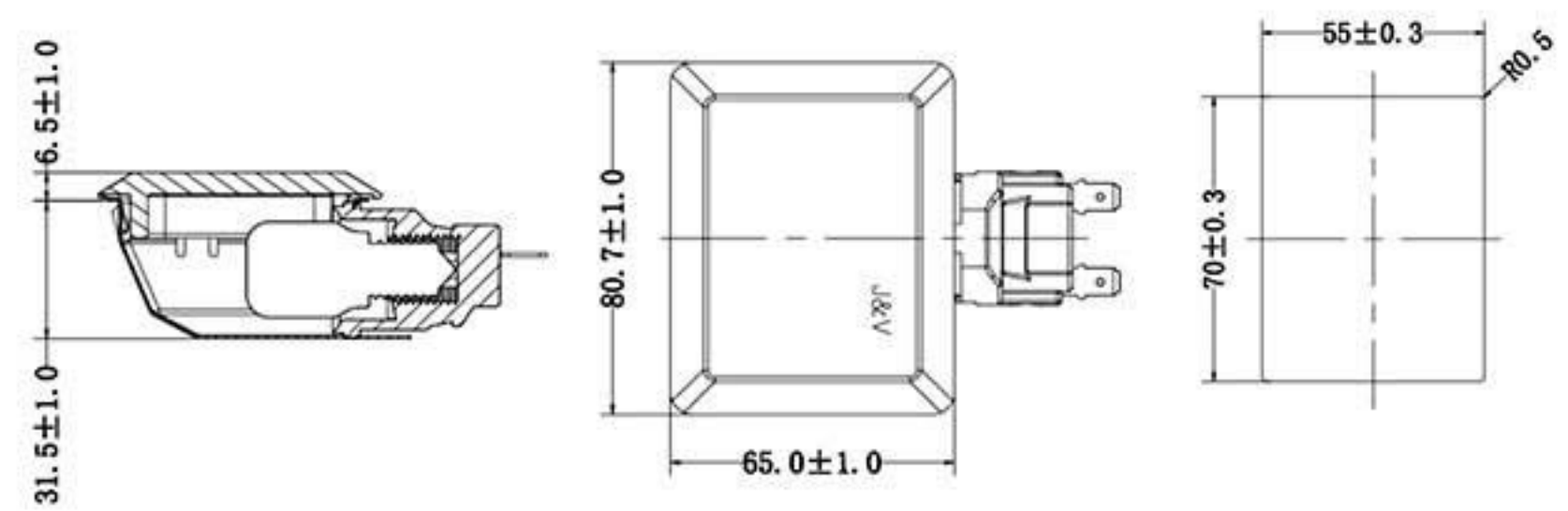
安装尺寸/Installation Size 55*70mm

端子/Terminal 250 公端子/
Male Terminal(6.3*0.8)

灯罩安装方式/
Lamp Shade Installation Way 卡入式/Snap-in



认证/
Certified



HOT Oven lamps

Related product parameters

产品编码 Product Code	产品功率 Power	固定方式 fixing	灯泡型号 Bulb Type	电压 Voltage	灯罩材料 Lens	灯座材质 Lampholder	灯壳材料 Reflector
88.31.4.22.11307	15W	Snap in fixing 卡入式	E14	110-130V	borosilicate glass 550°C 高硼硅玻璃, 最 高温度 550°C	Steatite 陶瓷	Stainless steel 不锈钢表面
88.31.4.22.12307	15W			220-250V			
88.31.4.22.11507	25W			110-130V			
88.31.4.22.12507	25W			220-250V			
88.31.4.22.11308	15W			110-130V			
88.31.4.22.12308	15W			220-250V			
88.31.4.22.11508	25W			110-130V			
88.31.4.22.12508	25W			220-250V			

• Other cable versions on request

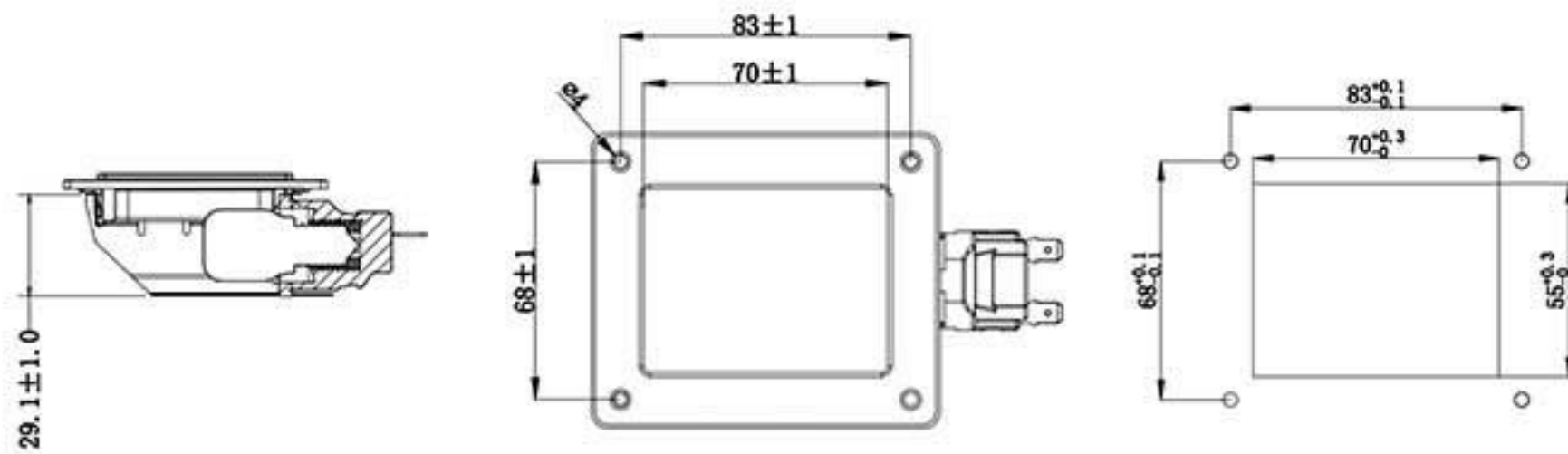
热·烤箱灯 HOT Oven lamps



型号/Model	88.31.7.24
安装尺寸/Installation Size	55*70mm
端子/Terminal	250 公端子/ Male Terminal(6.3*0.8)
灯罩安装方式/ Lamp Shade Installation Way	卡入式/Snap-in



认证/
Certified



HOT Oven lamps

Related product parameters

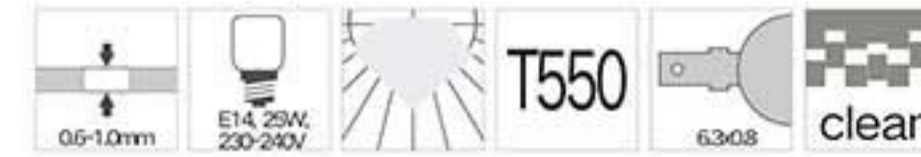
产品编码 Product Code	产品功率 Power	固定方式 fixing	灯泡型号 Bulb Type	电压 Voltage	灯罩材料 Lens	灯座材质 Lampholder	灯壳材料 Reflector
88.31.7.24.11307	15W	Snap in fixing 卡入式	E14	110-130V	borosilicate glass 550°C 高硼硅玻璃, 最 高温度 550°C	Steatite 陶瓷	Stainless steel 不锈钢表面
88.31.7.24.12307	15W			220-250V			
88.31.7.24.11507	25W			110-130V			
88.31.7.24.12507	25W			220-250V			
88.31.7.24.11308	15W			110-130V			
88.31.7.24.12308	15W			220-250V			
88.31.7.24.11508	25W			110-130V			
88.31.7.24.12508	25W			220-250V			

• Other cable versions on request

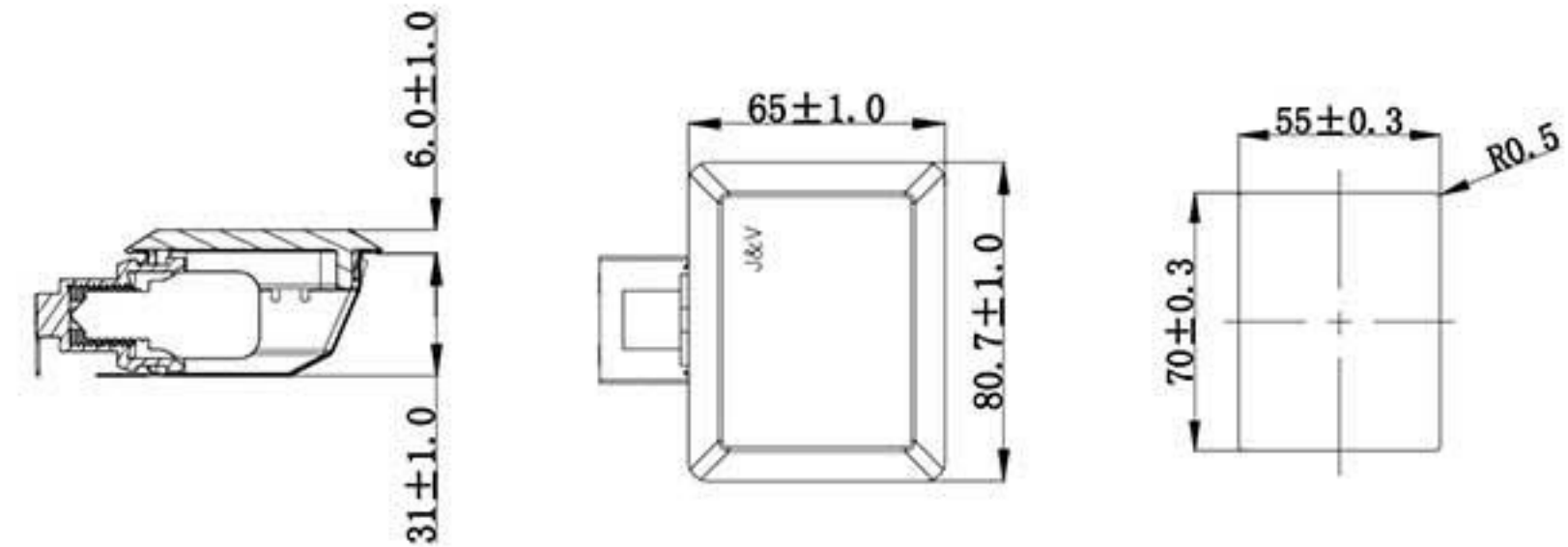
热·烤箱灯 HOT Oven lamps



型号/Model	88.32.4.21
安装尺寸/Installation Size	55*70mm
端子/Terminal	250 公端子/ Male Terminal(6.3*0.8)
灯罩安装方式/ Lamp Shade Installation Way	卡入式/Snap-in



认证/
Certified



HOT Oven lamps

Related product parameters

产品编码 Product Code	产品功率 Power	固定方式 fixing	灯泡型号 Bulb Type	电压 Voltage	灯罩材料 Lens	灯座材质 Lampholder	灯壳材料 Reflector
88.32.4.21.11307	15W	Snap in fixing 卡入式	E14	110-130V	borosilicate glass 550°C 高硼硅玻璃, 最 高温度 550°C	Steatite 陶瓷	Stainless steel 不锈钢表面
88.32.4.21.12307	15W			220-250V			
88.32.4.21.11507	25W			110-130V			
88.32.4.21.12507	25W			220-250V			
88.32.4.21.11308	15W			110-130V			
88.32.4.21.12308	15W			220-250V			
88.32.4.21.11508	25W			110-130V			
88.32.4.21.12508	25W			220-250V			

• Other cable versions on request

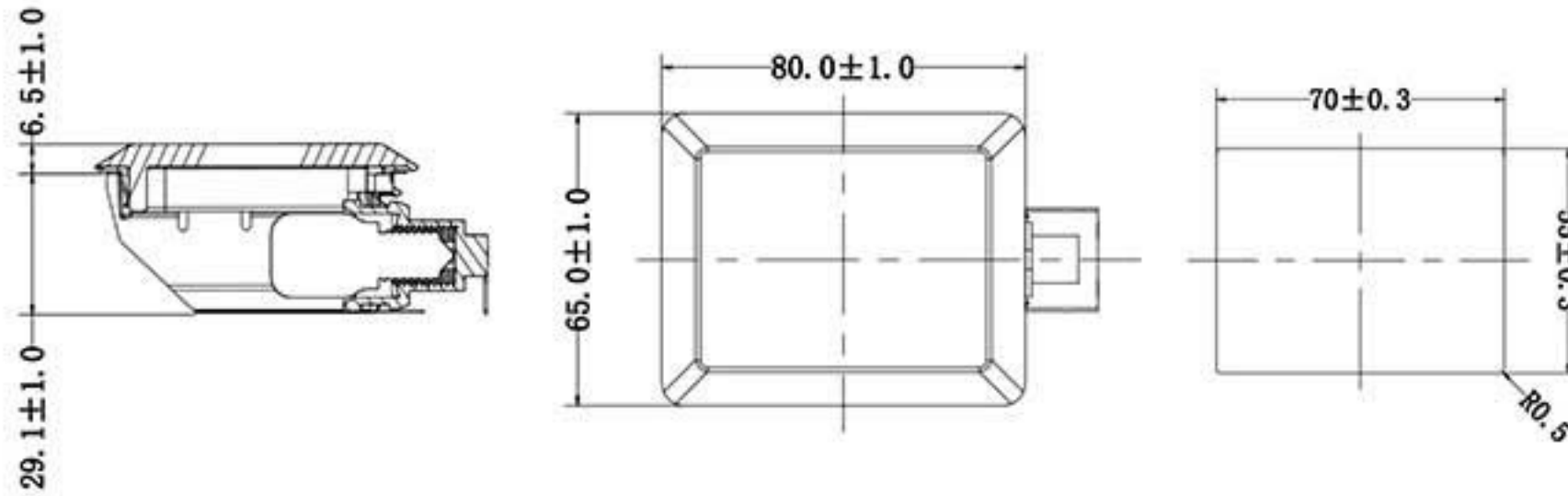
热·烤箱灯 HOT Oven lamps



型号/Model 88.32.7.25
 安装尺寸/Installation Size 55*70mm
 端子/Terminal 250 公端子/
 Male Terminal(6.3*0.8)
 灯罩安装方式/
 Lamp Shade Installation Way 卡入式/Snap-in



认证/
 Certified



HOT Oven lamps

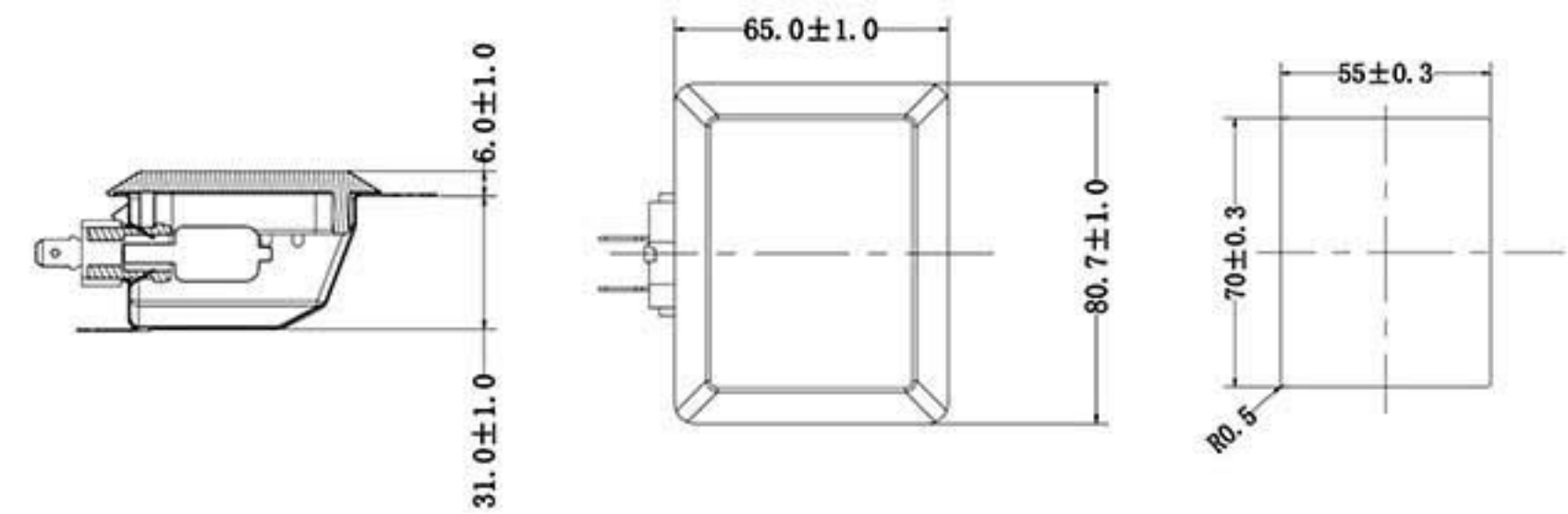
热·烤箱灯 HOT Oven lamps



型号/Model 88.51.4.22
 安装尺寸/Installation Size 55*70mm
 端子/Terminal 250 公端子/
 Male Terminal(6.3*0.8)
 灯罩安装方式/
 Lamp Shade Installation Way 卡入式/Snap-in



认证/
 Certified



HOT Oven lamps

Related product parameters

产品编码 Product Code	产品功率 Power	固定方式 fixing	灯泡型号 Bulb Type	电压 Voltage	灯罩材料 Lens	灯座材质 Lampholder	灯壳材料 Reflector
88.32.7.24.11307	15W	Snap in fixing 卡入式	E14	110-130V	borosilicate glass 550°C 高硼硅玻璃, 最 高温度 550°C	Steatite 陶瓷	Stainless steel 不锈钢表面
88.32.7.24.12307	15W			220-250V			
88.32.7.24.11507	25W			110-130V			
88.32.7.24.12507	25W			220-250V			
88.32.7.24.11308	15W			110-130V			
88.32.7.24.12308	15W			220-250V			
88.32.7.24.11508	25W			110-130V			
88.32.7.24.12508	25W			220-250V			

• Other cable versions on request

Related product parameters

产品编码 Product Code	产品功率 Power	固定方式 fixing	灯泡型号 Bulb Type	电压 Voltage	灯罩材料 Lens	灯座材质 Lampholder	灯壳材料 Reflector
88.51.4.22.92507	25W	Snap in fixing 卡入式	G9	220-250V	borosilicate glass 550°C 高硼硅玻璃, 最 高温度 550°C	Steatite 陶瓷	Stainless steel 不锈钢表面
88.51.4.22.92707	40W			220-250V			
88.51.4.22.91507	25W			110-130V			
88.51.4.22.91707	40W			110-130V			
88.51.4.22.92508	25W			220-250V			
88.51.4.22.92708	40W			220-250V			
88.51.4.22.91508	25W			110-130V			
88.51.4.22.91708	40W			110-130V			

• Other cable versions on request

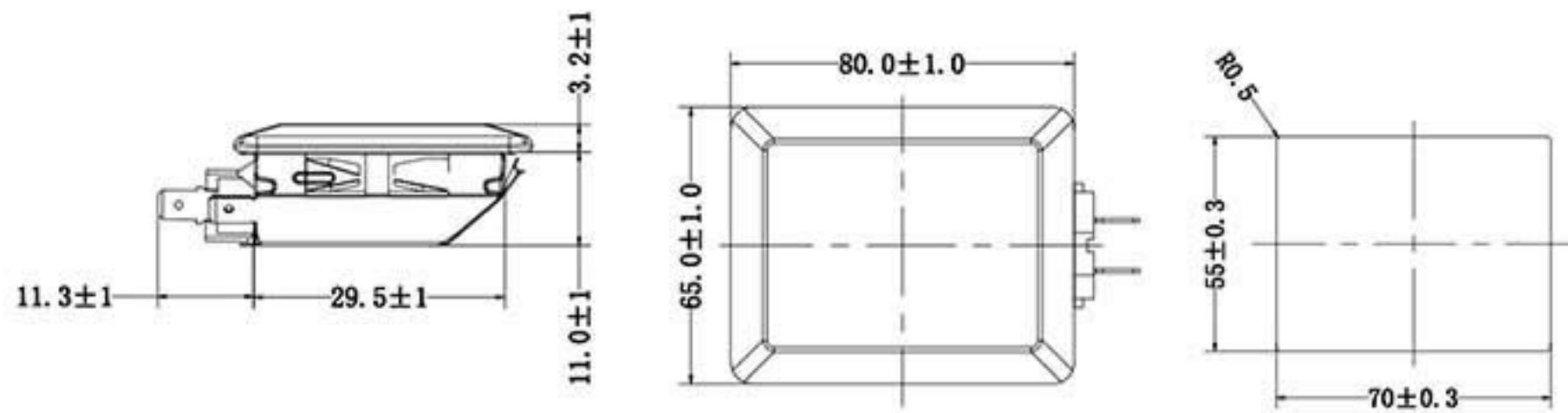
热·烤箱灯 HOT Oven lamps



型号/Model 88.51.7.25
 安装尺寸/Installation Size 55*70mm
 端子/Terminal 250 公端子/
 Male Terminal(6.3*0.8)
 灯罩安装方式/
 Lamp Shade Installation Way 卡入式/Snap-in



认证/
 Certified



HOT Oven lamps

Related product parameters

产品编码 Product Code	产品功率 Power	固定方式 fixing	灯泡型号 Bulb Type	电压 Voltage	灯罩材料 Lens	灯座材质 Lampholder	灯壳材料 Reflector
88.51.7.25.92507	25W	Snap in fixing 卡入式	G9	220-250V	borosilicate glass 550°C 高硼硅玻璃, 最 高温度 550°C	Steatite 陶瓷	Stainless steel 不锈钢表面
88.51.7.25.92707	40W			220-250V			
88.51.7.25.91507	25W			110-130V			
88.51.7.25.91707	40W			110-130V			
88.51.7.25.92508	25W			220-250V			
88.51.7.25.92708	40W			220-250V			
88.51.7.25.91508	25W			110-130V			
88.51.7.25.91708	40W			110-130V			

• Other cable versions on request

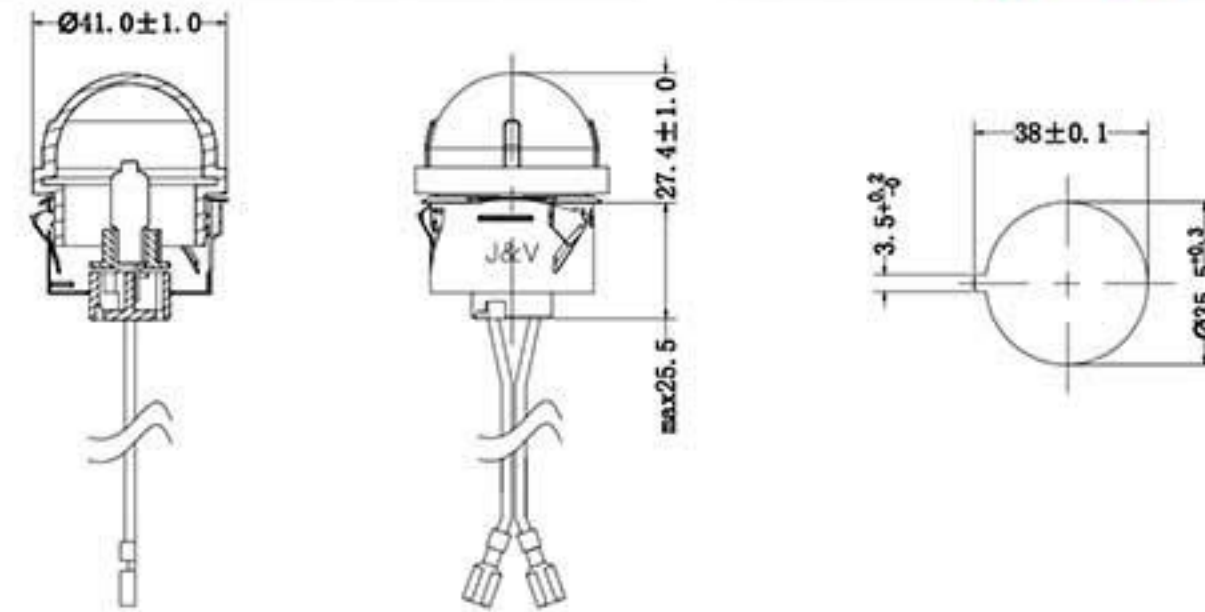
热·烤箱灯 HOT Oven lamps



型号/Model 88.11.3.31
 安装尺寸/Installation Size φ35.5mm
 端子/Terminal 250 母端子/
 Female Terminal(6.3*0.8)
 灯罩安装方式/
 Lamp Shade Installation Way 螺旋拧紧/
 Spiral tightening



认证/
 Certified



HOT Oven lamps

Related product parameters

产品编码 Product Code	产品功率 Power	电线型号 Wires	电线耐温 Temperature	固定方式 fixing	灯泡型号 Bulb Type	电压 Voltage	灯罩材料 Lens	灯座材质 Lampholder	灯壳材料 Reflector	
88.11.3.31.43110.5	5W	10362/18#	max, 250°C	Snap in fixing 卡入式	G4	12V	borosilicate glass 550°C 高硼硅玻璃, 最 高温度 550°C	Steatite 陶瓷	Stainless steel 不锈钢表面	
88.11.3.31.43150.5	5W	5128/18#	max, 450°C							
88.11.3.31.43210.5	10W	10362/18#	max, 250°C							
88.11.3.31.43250.5	10W	5128/18#	max, 450°C							
88.11.3.31.43410.5	20W	10362/18#	max, 250°C							
88.11.3.31.43450.5	20W	5128/18#	max, 450°C							
88.11.3.31.51510.5	25W	10362/18#	max, 250°C		G5.3	110V				
88.11.3.31.51550.5	25W	5128/18#	max, 450°C							
88.11.3.31.52510.5	25W	10362/18#	max, 250°C							12V
88.11.3.31.52550.5	25W	5128/18#	max, 450°C							
88.11.3.31.53210.5	10W	10362/18#	max, 250°C							
88.11.3.31.53450.5	20W	5128/18#	max, 450°C							

• The code of the same product, the last digit is '3', it is Soda Lime glass(钠钙玻璃) 350°C. E.g: 88.11.3.31.43110.3

• Other cable versions on request

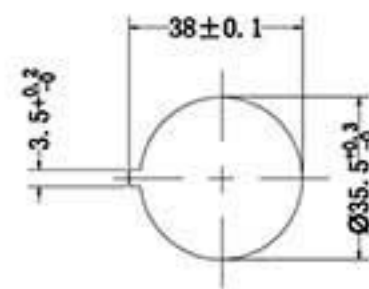
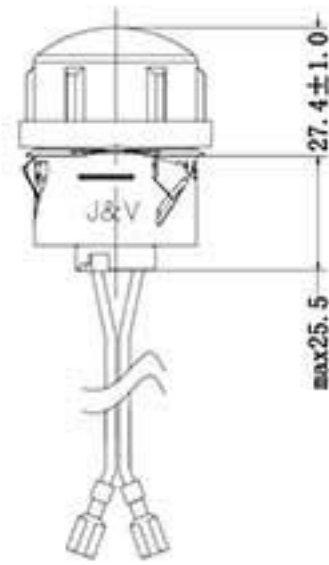
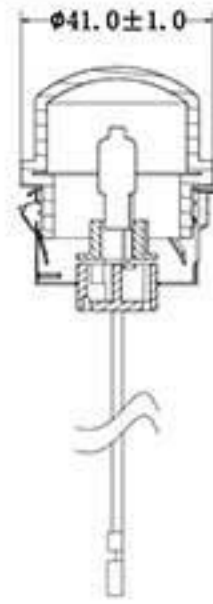
热·烤箱灯 HOT Oven lamps



型号/Model 88.11.3.34
 安装尺寸/Installation Size $\phi 35.5\text{mm}$
 端子/Terminal 250 母端子/
 Female Terminal(6.3*0.8)
 灯罩安装方式/
 Lamp Shade Installation Way 螺旋拧紧/
 Spiral tightening



认证/
 Certified



HOT Oven lamps

Related product parameters

产品编码 Product Code	产品功率 Power	电线型号 Wires	电线耐温 Temperature	固定方式 fixing	灯泡型号 Bulb Type	电压 Voltage	灯罩材料 Lens	灯座材质 Lampholder	灯壳材料 Reflector				
88.11.3.34.43110.5	5W	10362/18#	max, 250°C	Snap in fixing 卡入式	G4	12V	borosilicate glass 550°C 高硼硅玻璃, 最 高温度 550°C	Steatite 陶瓷	Stainless steel 不锈钢表面				
88.11.3.34.43150.5	5W	5128/18#	max, 450°C										
88.11.3.34.43210.5	10W	10362/18#	max, 250°C										
88.11.3.34.43250.5	10W	5128/18#	max, 450°C										
88.11.3.34.43410.5	20W	10362/18#	max, 250°C										
88.11.3.34.43450.5	20W	5128/18#	max, 450°C										
88.11.3.34.51510.5	25W	10362/18#	max, 250°C										
88.11.3.34.51550.5	25W	5128/18#	max, 450°C										
88.11.3.34.52510.5	25W	10362/18#	max, 250°C		G5.3	110V	borosilicate glass 550°C 高硼硅玻璃, 最 高温度 550°C	Steatite 陶瓷	Stainless steel 不锈钢表面				
88.11.3.34.52550.5	25W	5128/18#	max, 450°C										
88.11.3.34.53210.5	10W	10362/18#	max, 250°C										
88.11.3.34.53450.5	20W	5128/18#	max, 450°C										
88.11.3.34.53210.5	10W	10362/18#	max, 250°C							12V	borosilicate glass 550°C 高硼硅玻璃, 最 高温度 550°C	Steatite 陶瓷	Stainless steel 不锈钢表面
88.11.3.34.53450.5	20W	5128/18#	max, 450°C										
88.11.3.34.53210.5	10W	10362/18#	max, 250°C										
88.11.3.34.53450.5	20W	5128/18#	max, 450°C										
88.11.3.34.53210.5	10W	10362/18#	max, 250°C										
88.11.3.34.53450.5	20W	5128/18#	max, 450°C										
88.11.3.34.53210.5	10W	10362/18#	max, 250°C										
88.11.3.34.53450.5	20W	5128/18#	max, 450°C										

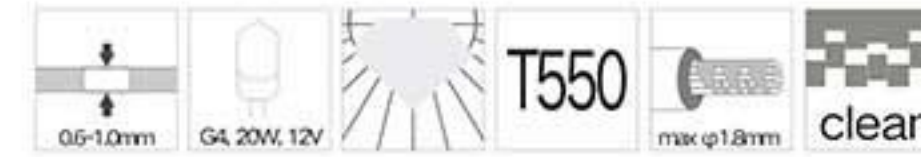
• The code of the same product, the last digit is '3', it is Soda Lime glass(钠钙玻璃) 350°C. E.g: 88.11.3.34.43110.3

• Other cable versions on request

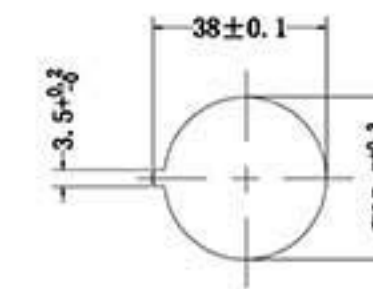
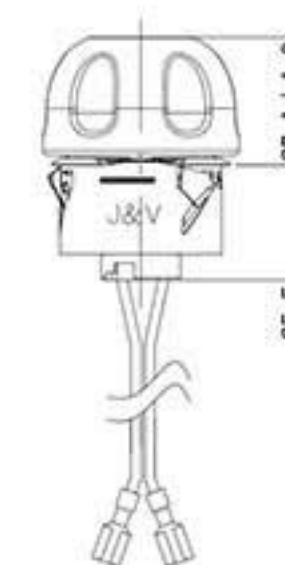
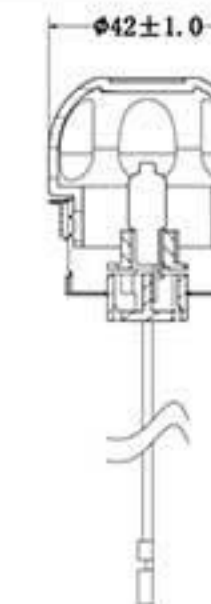
热·烤箱灯 HOT Oven lamps



型号/Model 88.11.3.35
 安装尺寸/Installation Size $\phi 35.5\text{mm}$
 端子/Terminal 250 母端子/
 Female Terminal(6.3*0.8)
 灯罩安装方式/
 Lamp Shade Installation Way 螺旋拧紧/
 Spiral tightening



认证/
 Certified



HOT Oven lamps

Related product parameters

产品编码 Product Code	产品功率 Power	电线型号 Wires	电线耐温 Temperature	固定方式 fixing	灯泡型号 Bulb Type	电压 Voltage	灯罩材料 Lens	灯座材质 Lampholder	灯壳材料 Reflector					
88.11.3.35.43110.5	5W	10362/18#	max, 250°C	Snap in fixing 卡入式	G4	12V	borosilicate glass 550°C 高硼硅玻璃, 最 高温度 550°C	Steatite 陶瓷	Stainless steel 不锈钢表面					
88.11.3.35.43150.5	5W	5128/18#	max, 450°C											
88.11.3.35.43210.5	10W	10362/18#	max, 250°C											
88.11.3.35.43250.5	10W	5128/18#	max, 450°C											
88.11.3.35.43410.5	20W	10362/18#	max, 250°C											
88.11.3.35.43450.5	20W	5128/18#	max, 450°C											
88.11.3.35.51510.5	25W	10362/18#	max, 250°C							G5.3	110V	borosilicate glass 550°C 高硼硅玻璃, 最 高温度 550°C	Steatite 陶瓷	Stainless steel 不锈钢表面
88.11.3.35.51550.5	25W	5128/18#	max, 450°C											
88.11.3.35.52510.5	25W	10362/18#	max, 250°C											
88.11.3.35.52550.5	25W	5128/18#	max, 450°C											
88.11.3.35.53210.5	10W	10362/18#	max, 250°C		12V	borosilicate glass 550°C 高硼硅玻璃, 最 高温度 550°C	Steatite 陶瓷	Stainless steel 不锈钢表面						
88.11.3.35.53450.5	20W	5128/18#	max, 450°C											
88.11.3.35.53210.5	10W	10362/18#	max, 250°C											
88.11.3.35.53450.5	20W	5128/18#	max, 450°C											
88.11.3.35.53210.5	10W	10362/18#	max, 250°C											
88.11.3.35.53450.5	20W	5128/18#	max, 450°C											
88.11.3.35.53210.5	10W	10362/18#	max, 250°C											
88.11.3.35.53450.5	20W	5128/18#	max, 450°C											

• The code of the same product, the last digit is '3', it is Soda Lime glass(钠钙玻璃) 350°C. E.g: 88.11.3.35.43110.3

• Other cable versions on request

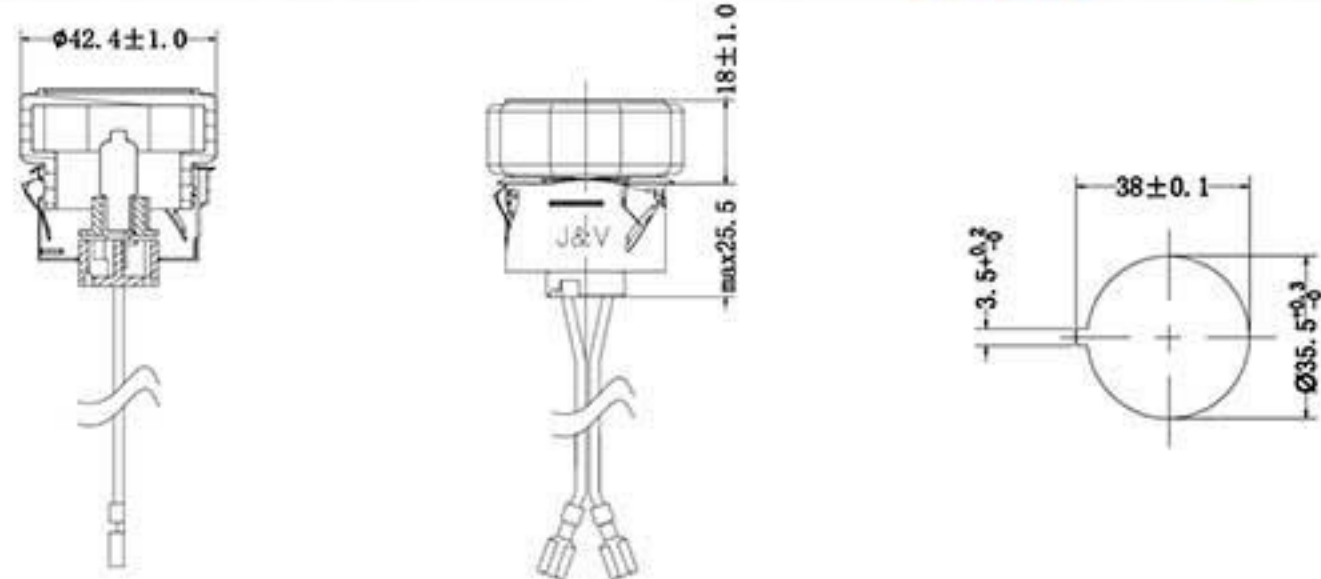
热·烤箱灯 HOT Oven lamps



型号/Model 88.11.3.42
 安装尺寸/Installation Size $\phi 35.5\text{mm}$
 端子/Terminal 250 母端子/
 Female Terminal(6.3*0.8)
 灯罩安装方式/
 Lamp Shade Installation Way 螺旋拧紧/
 Spiral tightening



认证/
 Certified



HOT Oven lamps

Related product parameters

产品编码 Product Code	产品功率 Power	电线型号 Wires	电线耐温 Temperature	固定方式 fixing	灯泡型号 Bulb Type	电压 Voltage	灯罩材料 Lens	灯座材质 Lampholder	灯壳材料 Reflector
88.11.342431105	5W	10362/18#	max, 250°C	Snap in fixing 卡入式	G4	12V	borosilicate glass 550°C 高硼硅玻璃, 最 高温度 550°C	Steatite 陶瓷	Stainless steel 不锈钢表面
88.11.342431505	5W	5128/18#	max, 450°C						
88.11.342432105	10W	10362/18#	max, 250°C						
88.11.342432505	10W	5128/18#	max, 450°C						
88.11.342434105	20W	10362/18#	max, 250°C						
88.11.342434505	20W	5128/18#	max, 450°C						
88.11.342515105	25W	10362/18#	max, 250°C		G5.3	110V	borosilicate glass 550°C 高硼硅玻璃, 最 高温度 550°C	Steatite 陶瓷	Stainless steel 不锈钢表面
88.11.342515505	25W	5128/18#	max, 450°C						
88.11.342525105	25W	10362/18#	max, 250°C						
88.11.342525505	25W	5128/18#	max, 450°C						
88.11.342532105	10W	10362/18#	max, 250°C						
88.11.342534505	20W	5128/18#	max, 450°C						

• The code of the same product, the last digit is '3', it is Soda Lime glass(钠钙玻璃) 350°C. E.g: 88.11.3.42.43110.3

• Other cable versions on request

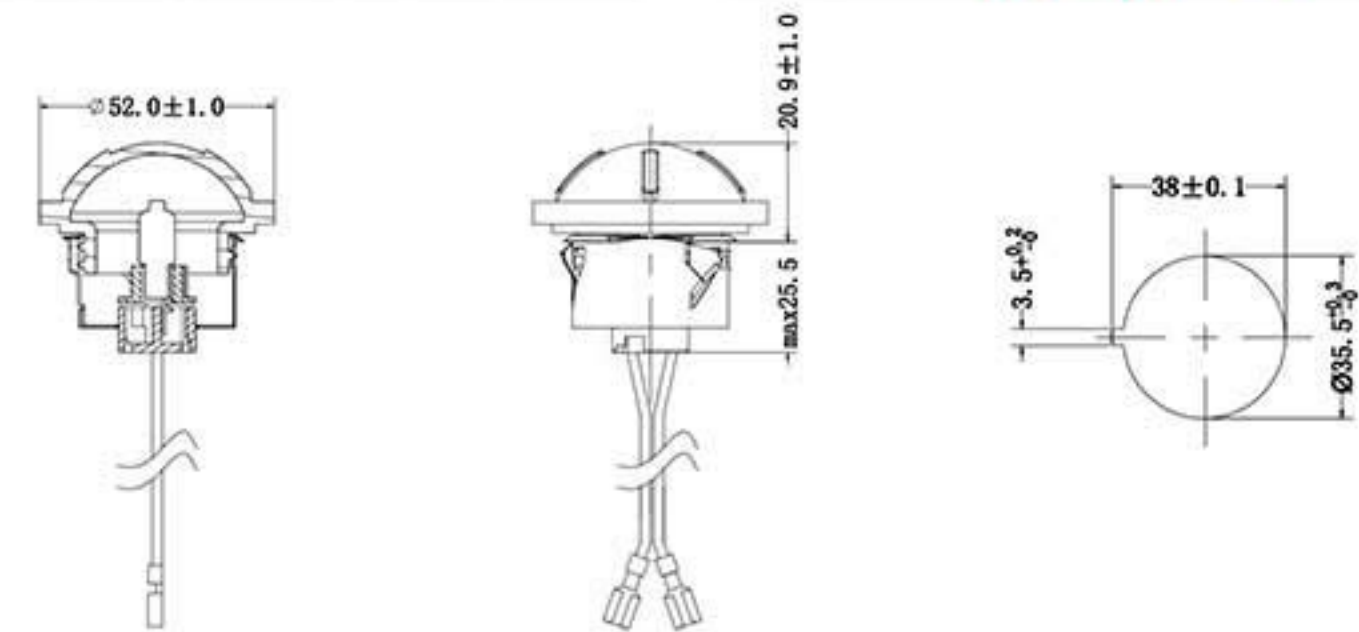
热·烤箱灯 HOT Oven lamps



型号/Model 88.11.3.52
 安装尺寸/Installation Size $\phi 35.5\text{mm}$
 端子/Terminal 250 母端子/
 Female Terminal(6.3*0.8)
 灯罩安装方式/
 Lamp Shade Installation Way 螺旋拧紧/
 Spiral tightening



认证/
 Certified



HOT Oven lamps

Related product parameters

产品编码 Product Code	产品功率 Power	电线型号 Wires	电线耐温 Temperature	固定方式 fixing	灯泡型号 Bulb Type	电压 Voltage	灯罩材料 Lens	灯座材质 Lampholder	灯壳材料 Reflector
88.11.352431105	5W	10362/18#	max, 250°C	Snap in fixing 卡入式	G4	12V	borosilicate glass 550°C 高硼硅玻璃, 最 高温度 550°C	Steatite 陶瓷	Stainless steel 不锈钢表面
88.11.352431505	5W	5128/18#	max, 450°C						
88.11.352432105	10W	10362/18#	max, 250°C						
88.11.352432505	10W	5128/18#	max, 450°C						
88.11.352434105	20W	10362/18#	max, 250°C						
88.11.352434505	20W	5128/18#	max, 450°C						
88.11.352515105	25W	10362/18#	max, 250°C		G5.3	110V	borosilicate glass 550°C 高硼硅玻璃, 最 高温度 550°C	Steatite 陶瓷	Stainless steel 不锈钢表面
88.11.352515505	25W	5128/18#	max, 450°C						
88.11.352525105	25W	10362/18#	max, 250°C						
88.11.352525505	25W	5128/18#	max, 450°C						
88.11.352532105	10W	10362/18#	max, 250°C						
88.11.352534505	20W	5128/18#	max, 450°C						

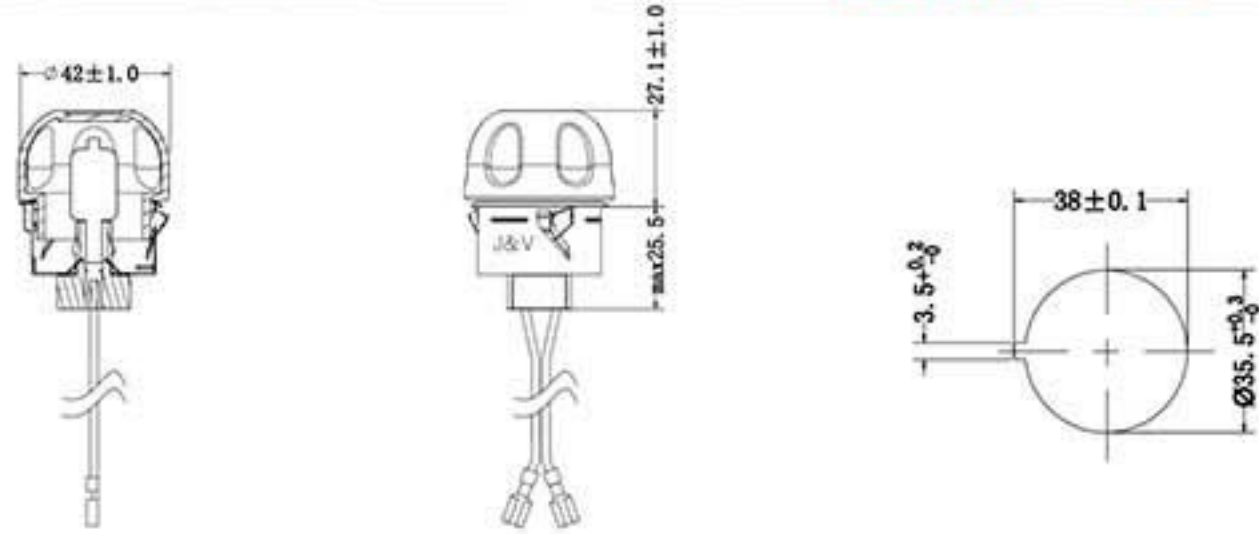
• The code of the same product, the last digit is '3', it is Soda Lime glass(钠钙玻璃) 350°C. E.g: 88.11.3.52.43110.3

• Other cable versions on request

热·烤箱灯 HOT Oven lamps



型号/Model 88.21.3.35
 安装尺寸/Installation Size $\phi 35.5\text{mm}$
 端子/Terminal 250 母端子/
 Female Terminal(6.3*0.8)
 灯罩安装方式/
 Lamp Shade Installation Way 螺旋拧紧/
 Spiral tightening



HOT Oven lamps

Related product parameters

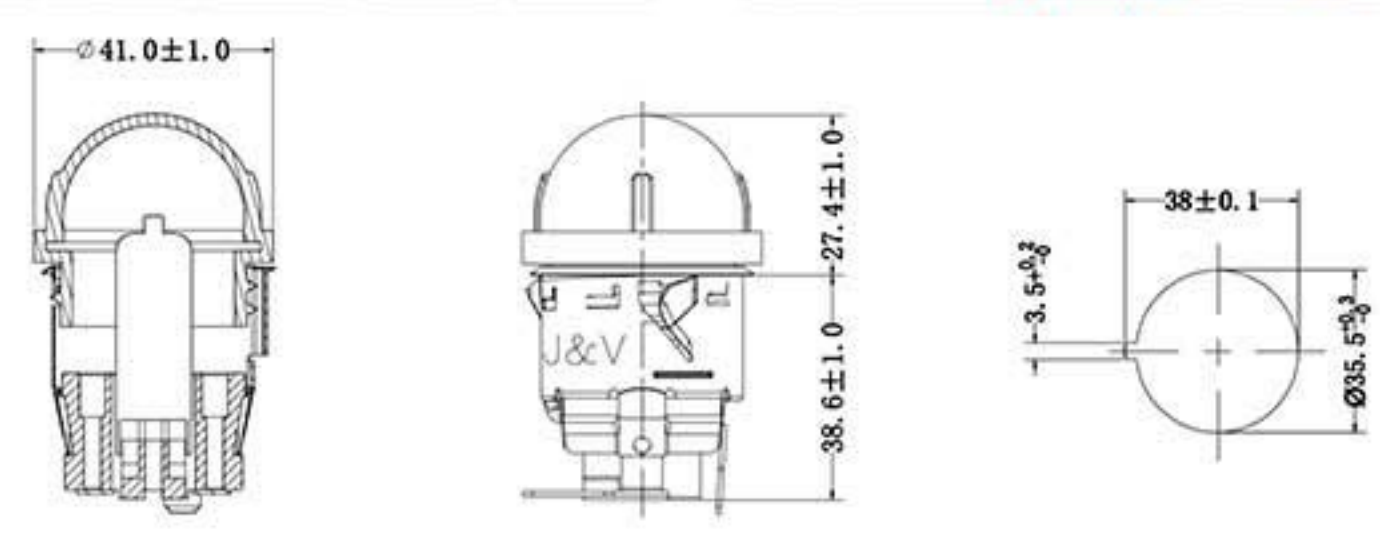
产品编码 Product Code	产品功率 Power	电线型号 Wires	电线耐温 Temperature	固定方式 fixing	灯泡型号 Bulb Type	电压 Voltage	灯罩材料 Lens	灯座材质 Lampholder	灯壳材料 Reflector
88.21.3.35.91510.5	25W	10362/18#	max, 250°C	Snap in fixing 卡入式	G9	220-250V	borosilicate glass 550°C 高硼硅玻璃, 最 高温度 550°C	Steatite 陶瓷	Stainless steel 不锈钢表面
88.21.3.35.91550.5	25W	5128/18#	max, 450°C			220-250V			
88.21.3.35.92510.5	25W	10362/18#	max, 250°C			110-130V			
88.21.3.35.92550.5	25W	5128/18#	max, 450°C			110-130V			
88.21.3.35.92710.5	25W	5128/18#	max, 450°C			220-250V			
88.21.3.35.92750.5	25W	10362/18#	max, 250°C			220-250V			
88.21.3.35.91710.5	25W	5128/18#	max, 450°C			110-130V			
88.21.3.35.91750.5	25W	5128/18#	max, 450°C			110-130V			
88.21.3.35.91510.3	25W	10362/18#	max, 250°C	Snap in fixing 卡入式	G9	220-250V	Soda Lime glass 350°C 钠钙玻璃, 最 高温度 350°C	Steatite 陶瓷	Stainless steel 不锈钢表面
88.21.3.35.91550.3	25W	5128/18#	max, 450°C			220-250V			
88.21.3.35.92510.3	25W	10362/18#	max, 250°C			110-130V			
88.21.3.35.92550.3	25W	5128/18#	max, 450°C			110-130V			
88.21.3.35.92710.3	25W	5128/18#	max, 450°C			220-250V			
88.21.3.35.92750.3	25W	10362/18#	max, 250°C			220-250V			
88.21.3.35.91710.3	25W	5128/18#	max, 450°C			110-130V			
88.21.3.35.91750.3	25W	5128/18#	max, 450°C			110-130V			

• Other cable versions on request

热·烤箱灯 HOT Oven lamps



型号/Model 88.22.3.31
 安装尺寸/Installation Size $\phi 35.5\text{mm}$
 端子/Terminal 250 公端子/
 Male Terminal(6.3*0.8)
 灯罩安装方式/
 Lamp Shade Installation Way 螺旋拧紧/
 Spiral tightening



HOT Oven lamps

Related product parameters

产品编码 Product Code	产品功率 Power	固定方式 fixing	灯泡型号 Bulb Type	电压 Voltage	灯罩材料 Lens	灯座材质 Lampholder	灯壳材料 Reflector
88.22.3.31.92507.5	25W	Snap in fixing 卡入式	G9	220-250V	borosilicate glass 550°C 高硼硅玻璃, 最 高温度 550°C	Steatite 陶瓷	Stainless steel 不锈钢表面
88.22.3.31.92707.5	40W			220-250V			
88.22.3.31.91507.5	25W			110-130V			
88.22.3.31.91707.5	40W			110-130V			
88.22.3.31.92508.5	25W			220-250V			
88.22.3.31.92708.5	40W			220-250V			
88.22.3.31.91508.5	25W			110-130V			
88.22.3.31.91708.5	40W			110-130V			
88.22.3.31.92507.3	25W	Snap in fixing 卡入式	G9	220-250V	Soda Lime glass 350°C 钠钙玻璃, 最 高温度 350°C	Steatite 陶瓷	Stainless steel 不锈钢表面
88.22.3.31.92707.3	40W			220-250V			
88.22.3.31.91507.3	25W			110-130V			
88.22.3.31.91707.3	40W			110-130V			
88.22.3.31.92508.3	25W			220-250V			
88.22.3.31.92708.3	40W			220-250V			
88.22.3.31.91508.3	25W			110-130V			
88.22.3.31.91708.3	40W			110-130V			

• Other cable versions on request

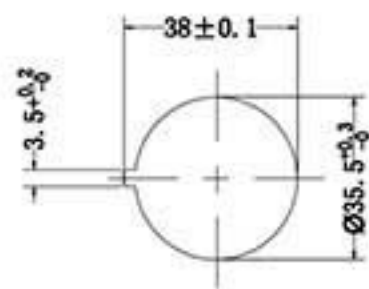
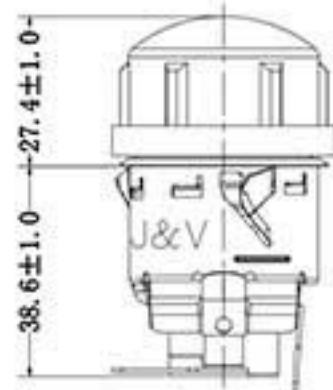
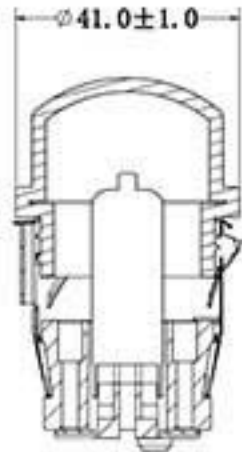
热·烤箱灯 HOT Oven lamps



型号/Model 88.22.3.34
 安装尺寸/Installation Size $\phi 35.5\text{mm}$
 端子/Terminal 250 公端子/
 Male Terminal(6.3*0.8)
 灯罩安装方式/
 Lamp Shade Installation Way 螺旋拧紧/
 Spiral tightening



认证/
 Certified



HOT Oven lamps

Related product parameters

产品编码 Product Code	产品功率 Power	固定方式 fixing	灯泡型号 Bulb Type	电压 Voltage	灯罩材料 Lens	灯座材质 Lampholder	灯壳材料 Reflector
88.22.3.34.92507.5	25W	Snap in fixing 卡入式	G9	220-250V	borosilicate glass 550°C 高硼硅玻璃, 最 高温度 550°C	Steatite 陶瓷	Stainless steel 不锈钢表面
88.22.3.34.92707.5	40W			220-250V			
88.22.3.34.91507.5	25W			110-130V			
88.22.3.34.91707.5	40W			110-130V			
88.22.3.34.92508.5	25W			220-250V			
88.22.3.34.92708.5	40W			220-250V			
88.22.3.34.91508.5	25W			110-130V			
88.22.3.34.91708.5	40W			110-130V			
88.22.3.34.92507.3	25W	Snap in fixing 卡入式	G9	220-250V	Soda Lime glass 350°C 钠钙玻璃, 最 高温度 350°C	Steatite 陶瓷	Stainless steel 不锈钢表面
88.22.3.34.92707.3	40W			220-250V			
88.22.3.34.91507.3	25W			110-130V			
88.22.3.34.91707.3	40W			110-130V			
88.22.3.34.92508.3	25W			220-250V			
88.22.3.34.92708.3	40W			220-250V			
88.22.3.34.91508.3	25W			110-130V			
88.22.3.34.91708.3	40W			110-130V			

• Other cable versions on request

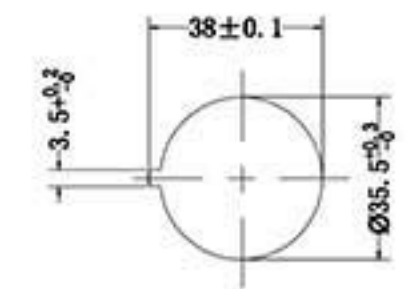
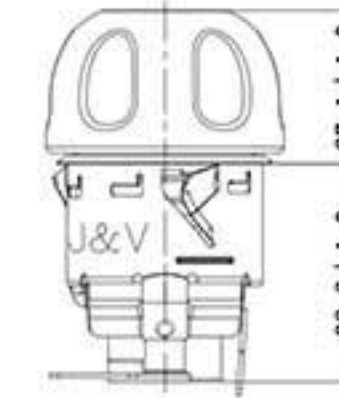
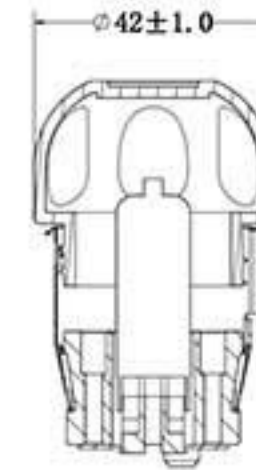
热·烤箱灯 HOT Oven lamps



型号/Model 88.22.3.35
 安装尺寸/Installation Size $\phi 35.5\text{mm}$
 端子/Terminal 250 公端子/
 Male Terminal(6.3*0.8)
 灯罩安装方式/
 Lamp Shade Installation Way 螺旋拧紧/
 Spiral tightening



认证/
 Certified



HOT Oven lamps

Related product parameters

产品编码 Product Code	产品功率 Power	固定方式 fixing	灯泡型号 Bulb Type	电压 Voltage	灯罩材料 Lens	灯座材质 Lampholder	灯壳材料 Reflector
88.22.3.35.92507.5	25W	Snap in fixing 卡入式	G9	220-250V	borosilicate glass 550°C 高硼硅玻璃, 最 高温度 550°C	Steatite 陶瓷	Stainless steel 不锈钢表面
88.22.3.35.92707.5	40W			220-250V			
88.22.3.35.91507.5	25W			110-130V			
88.22.3.35.91707.5	40W			110-130V			
88.22.3.35.92508.5	25W			220-250V			
88.22.3.35.92708.5	40W			220-250V			
88.22.3.35.91508.5	25W			110-130V			
88.22.3.35.91708.5	40W			110-130V			
88.22.3.35.92507.3	25W	Snap in fixing 卡入式	G9	220-250V	Soda Lime glass 350°C 钠钙玻璃, 最 高温度 350°C	Steatite 陶瓷	Stainless steel 不锈钢表面
88.22.3.35.92707.3	40W			220-250V			
88.22.3.35.91507.3	25W			110-130V			
88.22.3.35.91707.3	40W			110-130V			
88.22.3.35.92508.3	25W			220-250V			
88.22.3.35.92708.3	40W			220-250V			
88.22.3.35.91508.3	25W			110-130V			
88.22.3.35.91708.3	40W			110-130V			

• Other cable versions on request

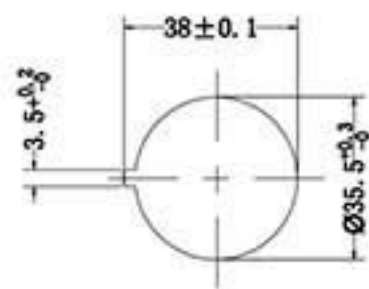
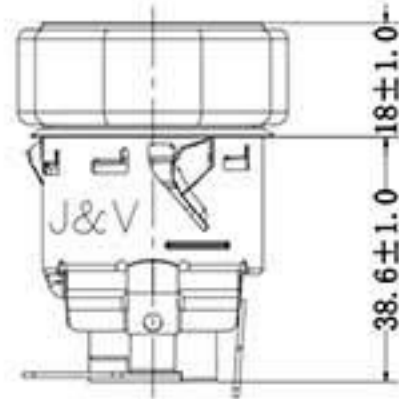
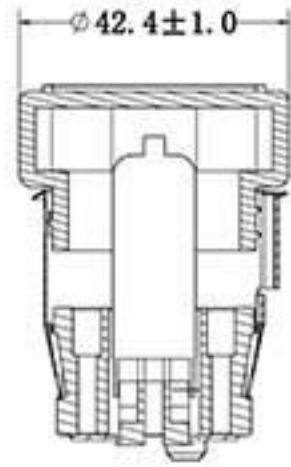
热·烤箱灯 HOT Oven lamps



型号/Model 88.22.3.42
 安装尺寸/Installation Size $\phi 35.5\text{mm}$
 端子/Terminal 250 公端子/
 Male Terminal(6.3*0.8)
 灯罩安装方式/
 Lamp Shade Installation Way 螺旋拧紧/
 Spiral tightening



认证/
 Certified



HOT Oven lamps

Related product parameters

产品编码 Product Code	产品功率 Power	固定方式 fixing	灯泡型号 Bulb Type	电压 Voltage	灯罩材料 Lens	灯座材质 Lampholder	灯壳材料 Reflector
88.22.3.42.92507.5	25W	Snap in fixing 卡入式	G9	220-250V	borosilicate glass 550°C 高硼硅玻璃, 最 高温度 550°C	Steatite 陶瓷	Stainless steel 不锈钢表面
88.22.3.42.92707.5	40W			220-250V			
88.22.3.42.91507.5	25W			110-130V			
88.22.3.42.91707.5	40W			110-130V			
88.22.3.42.92508.5	25W			220-250V			
88.22.3.42.92708.5	40W			220-250V			
88.22.3.42.91508.5	25W			110-130V			
88.22.3.42.91708.5	40W			110-130V			
88.22.3.42.92507.3	25W	Snap in fixing 卡入式	G9	220-250V	Soda Lime glass 350°C 钠钙玻璃, 最 高温度 350°C	Steatite 陶瓷	Stainless steel 不锈钢表面
88.22.3.42.92707.3	40W			220-250V			
88.22.3.42.91507.3	25W			110-130V			
88.22.3.42.91707.3	40W			110-130V			
88.22.3.42.92508.3	25W			220-250V			
88.22.3.42.92708.3	40W			220-250V			
88.22.3.42.91508.3	25W			110-130V			
88.22.3.42.91708.3	40W			110-130V			

• Other cable versions on request

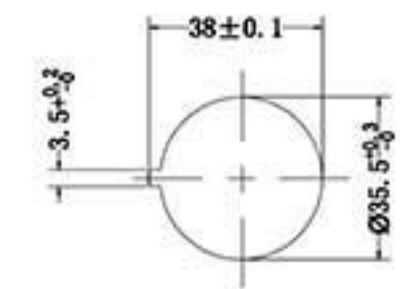
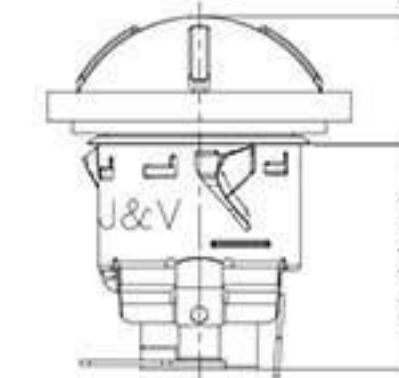
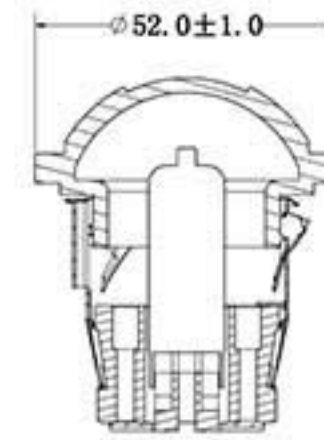
热·烤箱灯 HOT Oven lamps



型号/Model 88.22.3.52
 安装尺寸/Installation Size $\phi 35.5\text{mm}$
 端子/Terminal 250 公端子/
 Male Terminal(6.3*0.8)
 灯罩安装方式/
 Lamp Shade Installation Way 螺旋拧紧/
 Spiral tightening



认证/
 Certified



HOT Oven lamps

Related product parameters

产品编码 Product Code	产品功率 Power	固定方式 fixing	灯泡型号 Bulb Type	电压 Voltage	灯罩材料 Lens	灯座材质 Lampholder	灯壳材料 Reflector
88.22.3.52.92507.5	25W	Snap in fixing 卡入式	G9	220-250V	borosilicate glass 550°C 高硼硅玻璃, 最 高温度 550°C	Steatite 陶瓷	Stainless steel 不锈钢表面
88.22.3.52.92707.5	40W			220-250V			
88.22.3.52.91507.5	25W			110-130V			
88.22.3.52.91707.5	40W			110-130V			
88.22.3.52.92508.5	25W			220-250V			
88.22.3.52.92708.5	40W			220-250V			
88.22.3.52.91508.5	25W			110-130V			
88.22.3.52.91708.5	40W			110-130V			
88.22.3.52.92507.3	25W	Snap in fixing 卡入式	G9	220-250V	Soda Lime glass 350°C 钠钙玻璃, 最 高温度 350°C	Steatite 陶瓷	Stainless steel 不锈钢表面
88.22.3.52.92707.3	40W			220-250V			
88.22.3.52.91507.3	25W			110-130V			
88.22.3.52.91707.3	40W			110-130V			
88.22.3.52.92508.3	25W			220-250V			
88.22.3.52.92708.3	40W			220-250V			
88.22.3.52.91508.3	25W			110-130V			
88.22.3.52.91708.3	40W			110-130V			

• Other cable versions on request

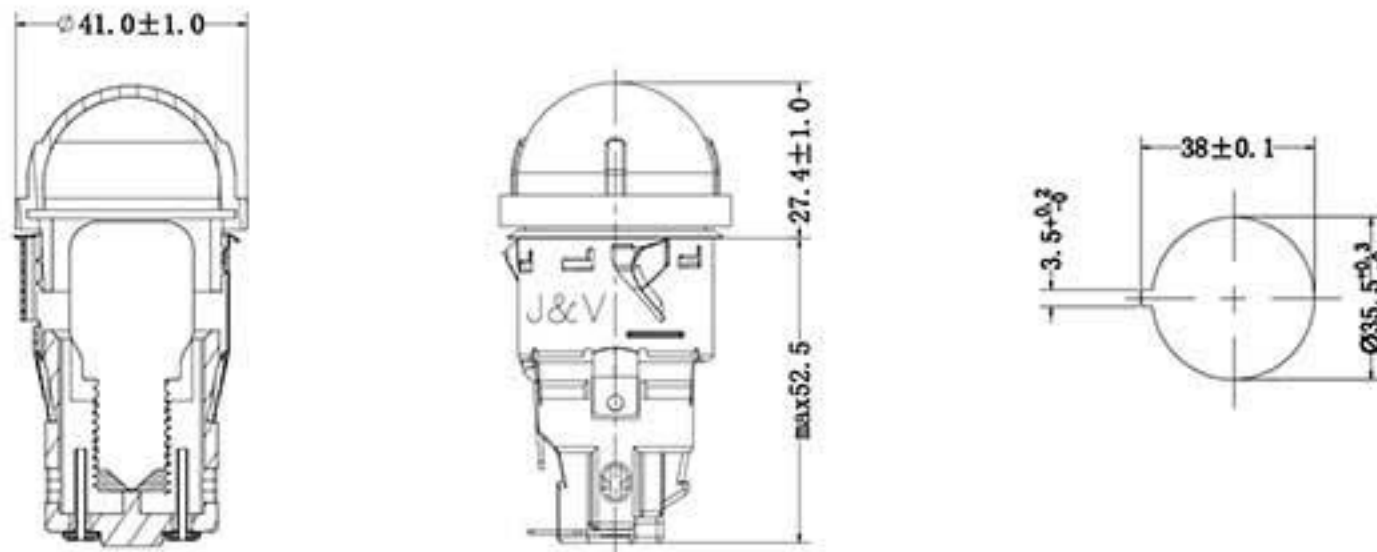
热·烤箱灯 HOT Oven lamps



型号/Model 88.31.3.31
 安装尺寸/Installation Size $\phi 35.5\text{mm}$
 端子/Terminal 250 公端子/
 Male Terminal(6.3*0.8)
 灯罩安装方式/
 Lamp Shade Installation Way 螺旋拧紧/
 Spiral tightening



认证/
 Certified



HOT Oven lamps

Related product parameters

产品编码 Product Code	产品功率 Power	固定方式 fixing	灯泡型号 Bulb Type	电压 Voltage	灯罩材料 Lens	灯座材质 Lampholder	灯壳材料 Reflector
88.31.3.31.11307.3	15W	Snap in fixing 卡入式	E14	110-130V	Soda Lime glass 350°C 钠钙玻璃, 最 高温度 350°C	Steatite 陶瓷	Stainless steel 不锈钢表面
88.31.3.31.12307.3	15W			220-250V			
88.31.3.31.11507.3	25W			110-130V			
88.31.3.31.12507.3	25W			220-250V			
88.31.3.31.11308.3	15W			110-130V			
88.31.3.31.12308.3	15W			220-250V			
88.31.3.31.11508.3	25W			110-130V			
88.31.3.31.12508.3	25W			220-250V			

• Other cable versions on request

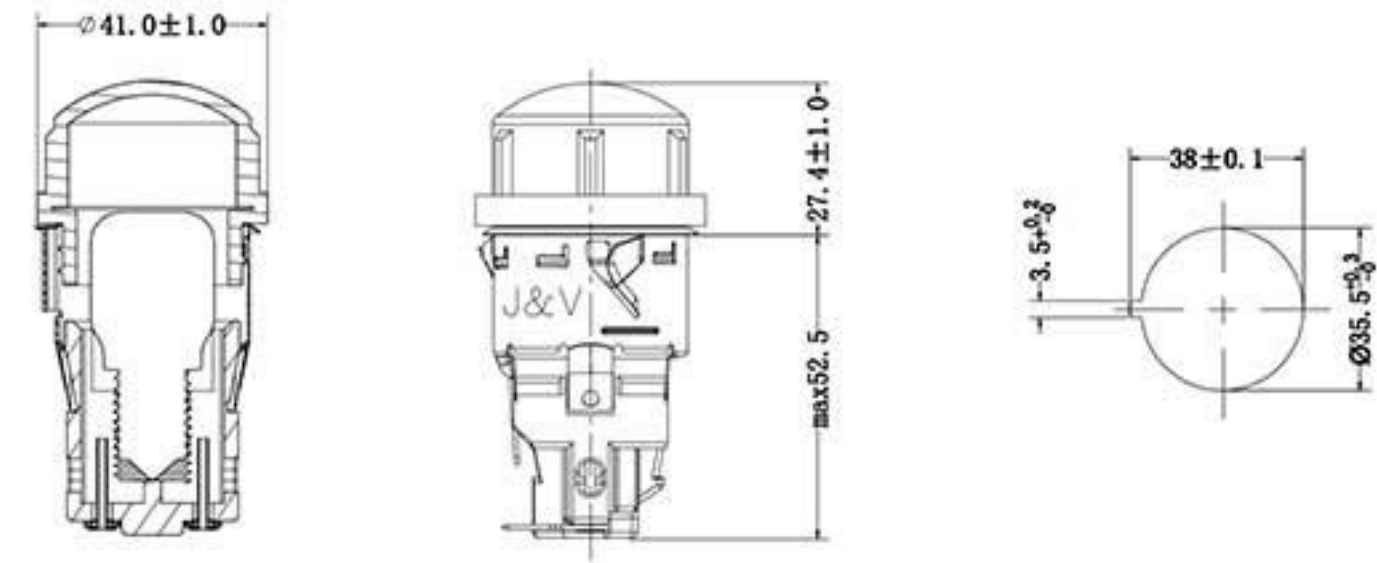
热·烤箱灯 HOT Oven lamps



型号/Model 88.31.3.34
 安装尺寸/Installation Size $\phi 35.5\text{mm}$
 端子/Terminal 250 公端子/
 Male Terminal(6.3*0.8)
 灯罩安装方式/
 Lamp Shade Installation Way 螺旋拧紧/
 Spiral tightening



认证/
 Certified



HOT Oven lamps

Related product parameters

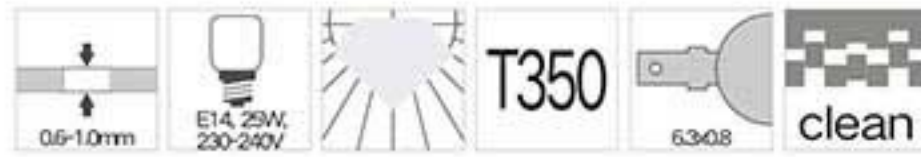
产品编码 Product Code	产品功率 Power	固定方式 fixing	灯泡型号 Bulb Type	电压 Voltage	灯罩材料 Lens	灯座材质 Lampholder	灯壳材料 Reflector
88.31.3.34.11307.3	15W	Snap in fixing 卡入式	E14	110-130V	Soda Lime glass 350°C 钠钙玻璃, 最 高温度 350°C	Steatite 陶瓷	Stainless steel 不锈钢表面
88.31.3.34.12307.3	15W			220-250V			
88.31.3.34.11507.3	25W			110-130V			
88.31.3.34.12507.3	25W			220-250V			
88.31.3.34.11308.3	15W			110-130V			
88.31.3.34.12308.3	15W			220-250V			
88.31.3.34.11508.3	25W			110-130V			
88.31.3.34.12508.3	25W			220-250V			

• Other cable versions on request

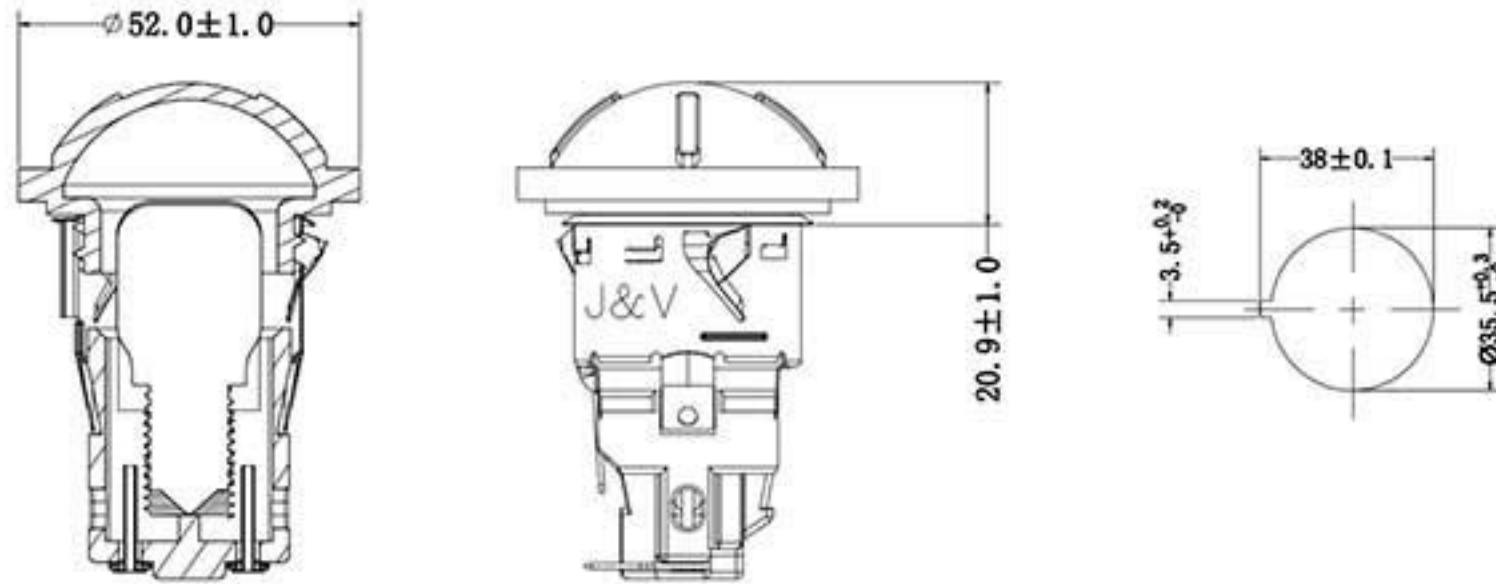
热·烤箱灯 HOT Oven lamps



型号/Model 88.31.3.52
 安装尺寸/Installation Size $\phi 35.5\text{mm}$
 端子/Terminal 250 公端子/
 Male Terminal(6.3*0.8)
 灯罩安装方式/
 Lamp Shade Installation Way 螺旋拧紧/
 Spiral tightening



认证/
 Certified



HOT Oven lamps

Related product parameters

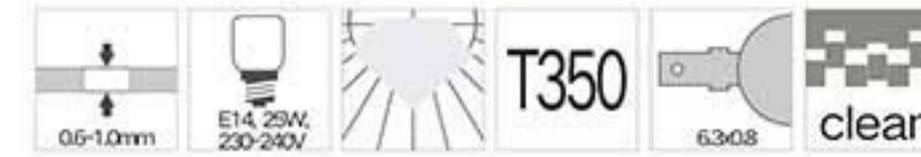
产品编码 Product Code	产品功率 Power	固定方式 fixing	灯泡型号 Bulb Type	电压 Voltage	灯罩材料 Lens	灯座材质 Lampholder	灯壳材料 Reflector
88.31.352.11307.3	15W	Snap in fixing 卡入式	E14	110-130V	Soda Lime glass 350°C 钠钙玻璃, 最 高温度 350°C	Steatite 陶瓷	Stainless steel 不锈钢表面
88.31.352.12307.3	15W			220-250V			
88.31.352.11507.3	25W			110-130V			
88.31.352.12507.3	25W			220-250V			
88.31.352.11308.3	15W			110-130V			
88.31.352.12308.3	15W			220-250V			
88.31.352.11508.3	25W			110-130V			
88.31.352.12508.3	25W			220-250V			

• Other cable versions on request

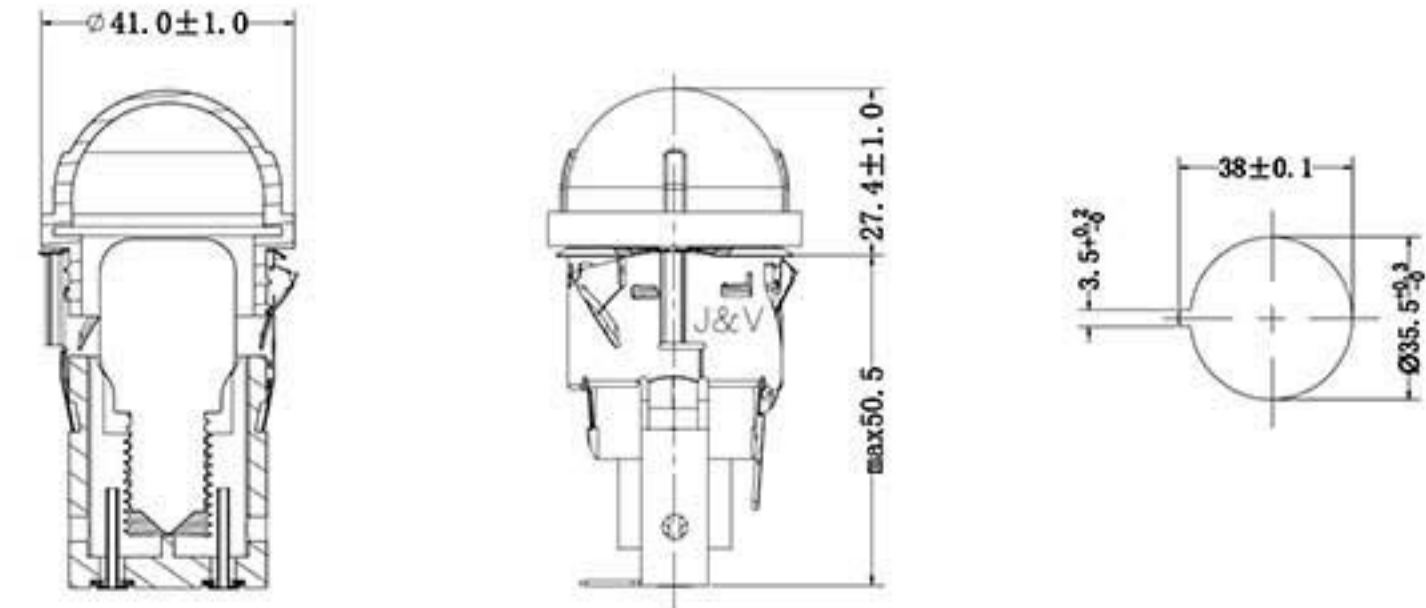
热·烤箱灯 HOT Oven lamps



型号/Model 88.32.3.31
 安装尺寸/Installation Size $\phi 35.5\text{mm}$
 端子/Terminal 250 公端子/
 Male Terminal(6.3*0.8)
 灯罩安装方式/
 Lamp Shade Installation Way 螺旋拧紧/
 Spiral tightening



认证/
 Certified



HOT Oven lamps

Related product parameters

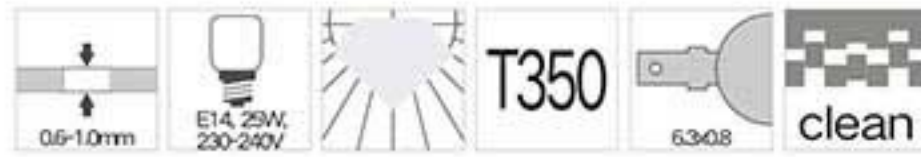
产品编码 Product Code	产品功率 Power	固定方式 fixing	灯泡型号 Bulb Type	电压 Voltage	灯罩材料 Lens	灯座材质 Lampholder	灯壳材料 Reflector
88.32.331.11307.3	15W	Snap in fixing 卡入式	E14	110-130V	Soda Lime glass 350°C 钠钙玻璃, 最 高温度 350°C	Steatite 陶瓷	Stainless steel 不锈钢表面
88.32.331.12307.3	15W			220-250V			
88.32.331.11507.3	25W			110-130V			
88.32.331.12507.3	25W			220-250V			
88.32.331.11308.3	15W			110-130V			
88.32.331.12308.3	15W			220-250V			
88.32.331.11508.3	25W			110-130V			
88.32.331.12508.3	25W			220-250V			

• Other cable versions on request

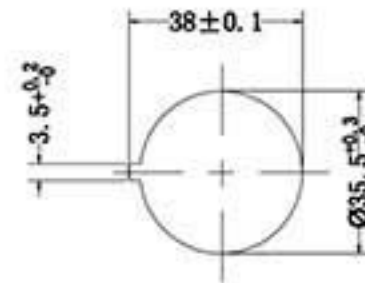
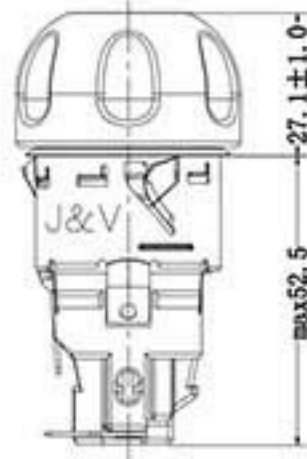
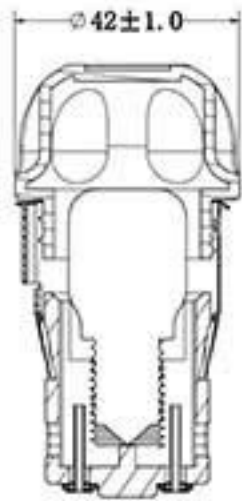
热·烤箱灯 HOT Oven lamps



型号/Model 88.31.3.35
 安装尺寸/Installation Size $\phi 35.5\text{mm}$
 端子/Terminal 250 公端子/
 Male Terminal(6.3*0.8)
 灯罩安装方式/
 Lamp Shade Installation Way 螺旋拧紧/
 Spiral tightening



认证/
 Certified



HOT Oven lamps

Related product parameters

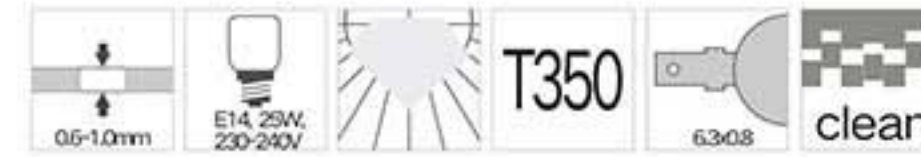
产品编码 Product Code	产品功率 Power	固定方式 fixing	灯泡型号 Bulb Type	电压 Voltage	灯罩材料 Lens	灯座材质 Lampholder	灯壳材料 Reflector
88.31.3.35.11307.3	15W	Snap in fixing 卡入式	E14	110-130V	Soda Lime glass 350°C 钠钙玻璃, 最 高温度 350°C	Steatite 陶瓷	Stainless steel 不锈钢表面
88.31.3.35.12307.3	15W			220-250V			
88.31.3.35.11507.3	25W			110-130V			
88.31.3.35.12507.3	25W			220-250V			
88.31.3.35.11308.3	15W			110-130V			
88.31.3.35.12308.3	15W			220-250V			
88.31.3.35.11508.3	25W			110-130V			
88.31.3.35.12508.3	25W			220-250V			

• Other cable versions on request

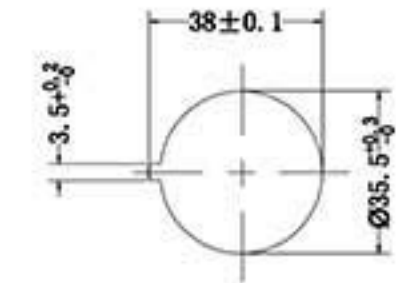
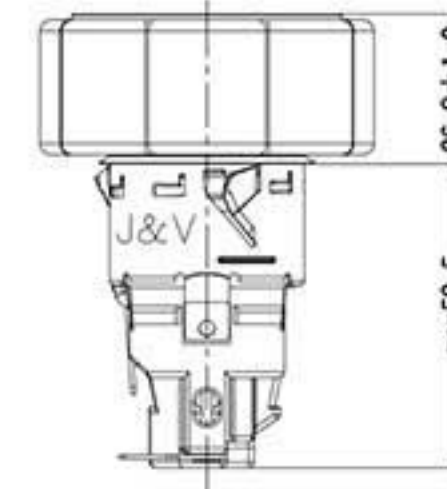
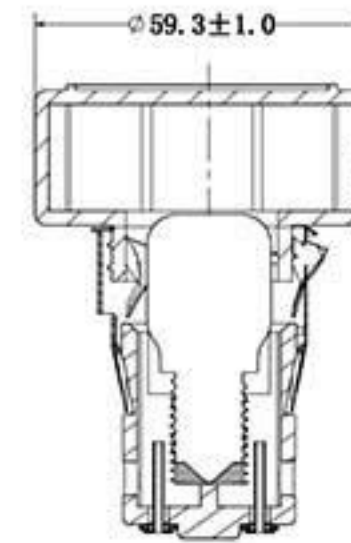
热·烤箱灯 HOT Oven lamps



型号/Model 88.31.3.43
 安装尺寸/Installation Size $\phi 35.5\text{mm}$
 端子/Terminal 250 公端子/
 Male Terminal(6.3*0.8)
 灯罩安装方式/
 Lamp Shade Installation Way 螺旋拧紧/
 Spiral tightening



认证/
 Certified



HOT Oven lamps

Related product parameters

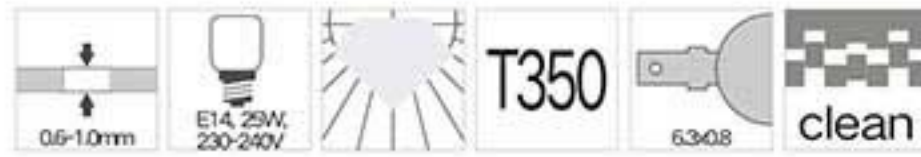
产品编码 Product Code	产品功率 Power	固定方式 fixing	灯泡型号 Bulb Type	电压 Voltage	灯罩材料 Lens	灯座材质 Lampholder	灯壳材料 Reflector
88.31.3.43.11307.3	15W	Snap in fixing 卡入式	E14	110-130V	Soda Lime glass 350°C 钠钙玻璃, 最 高温度 350°C	Steatite 陶瓷	Stainless steel 不锈钢表面
88.31.3.43.12307.3	15W			220-250V			
88.31.3.43.11507.3	25W			110-130V			
88.31.3.43.12507.3	25W			220-250V			
88.31.3.43.11308.3	15W			110-130V			
88.31.3.43.12308.3	15W			220-250V			
88.31.3.43.11508.3	25W			110-130V			
88.31.3.43.12508.3	25W			220-250V			

• Other cable versions on request

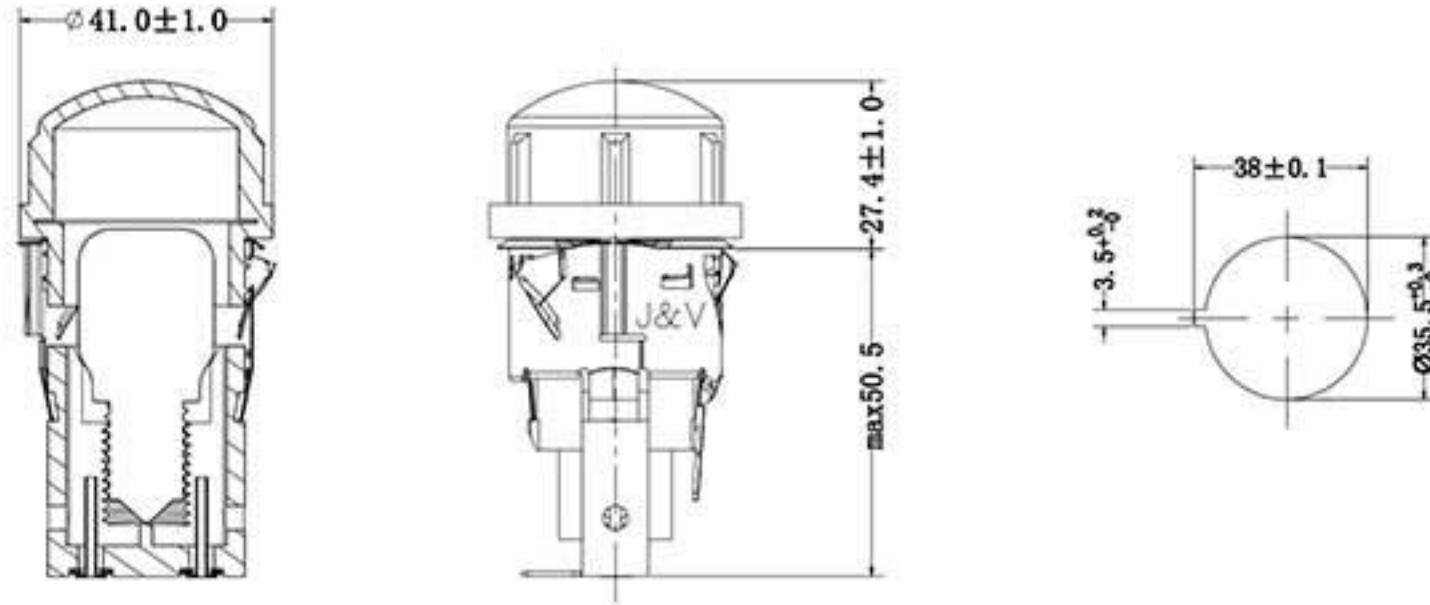
热·烤箱灯 HOT Oven lamps



型号/Model 88.32.3.34
 安装尺寸/Installation Size $\phi 35.5\text{mm}$
 端子/Terminal 250 公端子/
 Male Terminal(6.3*0.8)
 灯罩安装方式/
 Lamp Shade Installation Way 螺旋拧紧/
 Spiral tightening



认证/
 Certified



HOT Oven lamps

Related product parameters

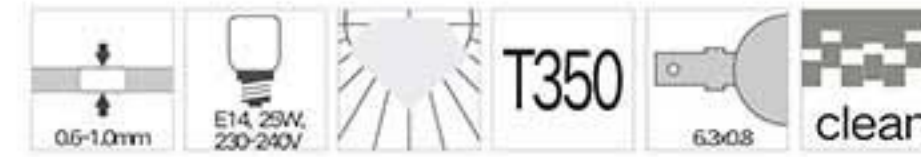
产品编码 Product Code	产品功率 Power	固定方式 fixing	灯泡型号 Bulb Type	电压 Voltage	灯罩材料 Lens	灯座材质 Lampholder	灯壳材料 Reflector
88.32.3.34.11307.3	15W	Snap in fixing 卡入式	E14	110-130V	Soda Lime glass 350°C 钠钙玻璃, 最 高温度 350°C	Steatite 陶瓷	Stainless steel 不锈钢表面
88.32.3.34.12307.3	15W			220-250V			
88.32.3.34.11507.3	25W			110-130V			
88.32.3.34.12507.3	25W			220-250V			
88.32.3.34.11308.3	15W			110-130V			
88.32.3.34.12308.3	15W			220-250V			
88.32.3.34.11508.3	25W			110-130V			
88.32.3.34.12508.3	25W			220-250V			

• Other cable versions on request

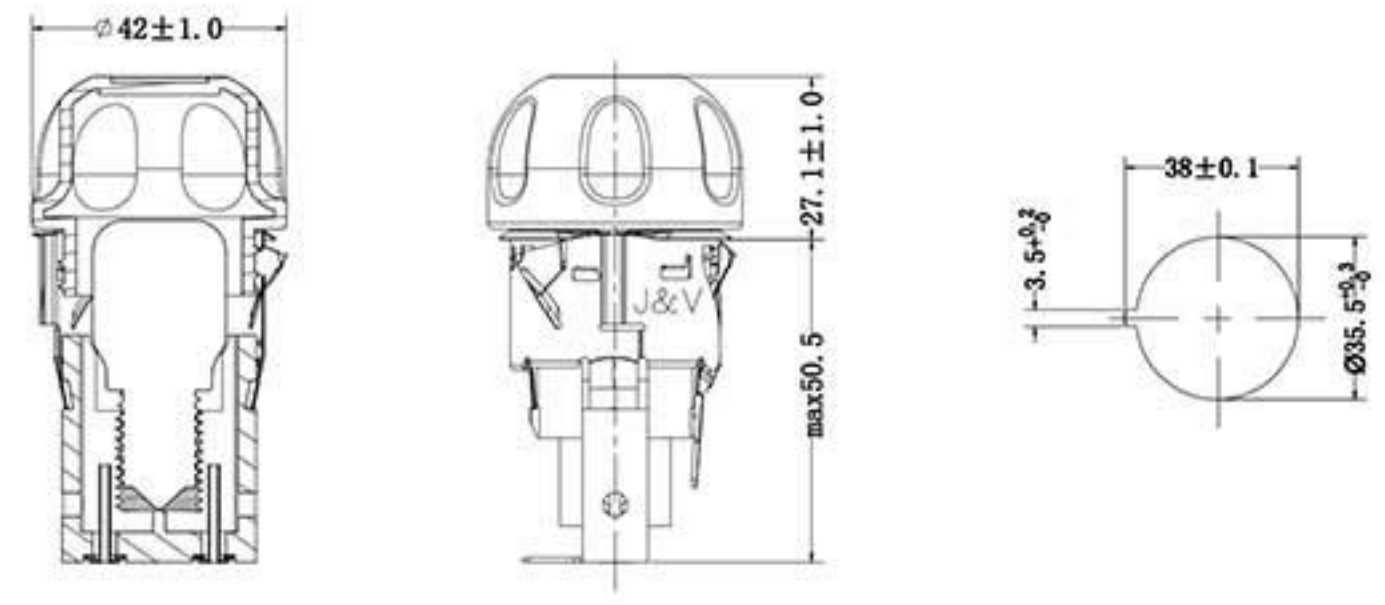
热·烤箱灯 HOT Oven lamps



型号/Model 88.32.3.35
 安装尺寸/Installation Size $\phi 35.5\text{mm}$
 端子/Terminal 250 公端子/
 Male Terminal(6.3*0.8)
 灯罩安装方式/
 Lamp Shade Installation Way 螺旋拧紧/
 Spiral tightening



认证/
 Certified



HOT Oven lamps

Related product parameters

产品编码 Product Code	产品功率 Power	固定方式 fixing	灯泡型号 Bulb Type	电压 Voltage	灯罩材料 Lens	灯座材质 Lampholder	灯壳材料 Reflector
88.32.3.35.11307.3	15W	Snap in fixing 卡入式	E14	110-130V	Soda Lime glass 350°C 钠钙玻璃, 最 高温度 350°C	Steatite 陶瓷	Stainless steel 不锈钢表面
88.32.3.35.12307.3	15W			220-250V			
88.32.3.35.11507.3	25W			110-130V			
88.32.3.35.12507.3	25W			220-250V			
88.32.3.35.11308.3	15W			110-130V			
88.32.3.35.12308.3	15W			220-250V			
88.32.3.35.11508.3	25W			110-130V			
88.32.3.35.12508.3	25W			220-250V			

• Other cable versions on request

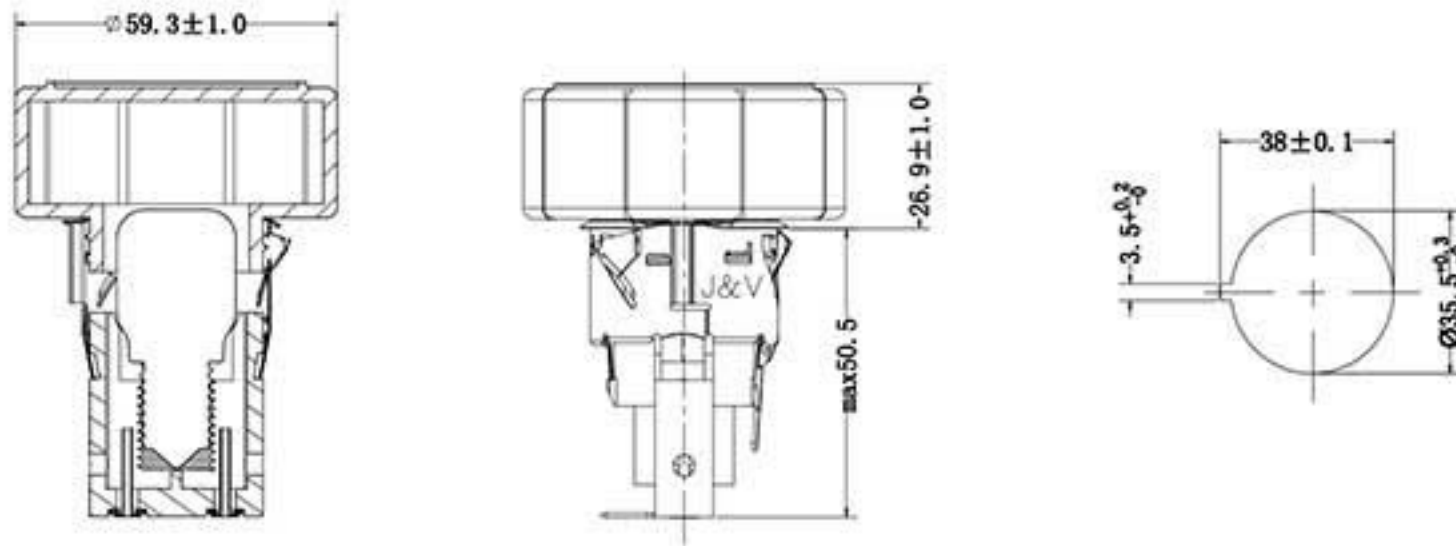
热·烤箱灯 HOT Oven lamps



型号/Model 88.32.3.43
 安装尺寸/Installation Size $\phi 35.5\text{mm}$
 端子/Terminal 250 公端子/
 Male Terminal(6.3*0.8)
 灯罩安装方式/
 Lamp Shade Installation Way 螺旋拧紧/
 Spiral tightening



认证/
 Certified



HOT Oven lamps

Related product parameters

产品编码 Product Code	产品功率 Power	固定方式 fixing	灯泡型号 Bulb Type	电压 Voltage	灯罩材料 Lens	灯座材质 Lampholder	灯壳材料 Reflector
88.32.3.43.11307.3	15W	Snap in fixing 卡入式	E14	110-130V	Soda Lime glass 350°C 钠钙玻璃, 最 高温度 350°C	Steatite 陶瓷	Stainless steel 不锈钢表面
88.32.3.43.12307.3	15W			220-250V			
88.32.3.43.11507.3	25W			110-130V			
88.32.3.43.12507.3	25W			220-250V			
88.32.3.43.11308.3	15W			110-130V			
88.32.3.43.12308.3	15W			220-250V			
88.32.3.43.11508.3	25W			110-130V			
88.32.3.43.12508.3	25W			220-250V			

• Other cable versions on request

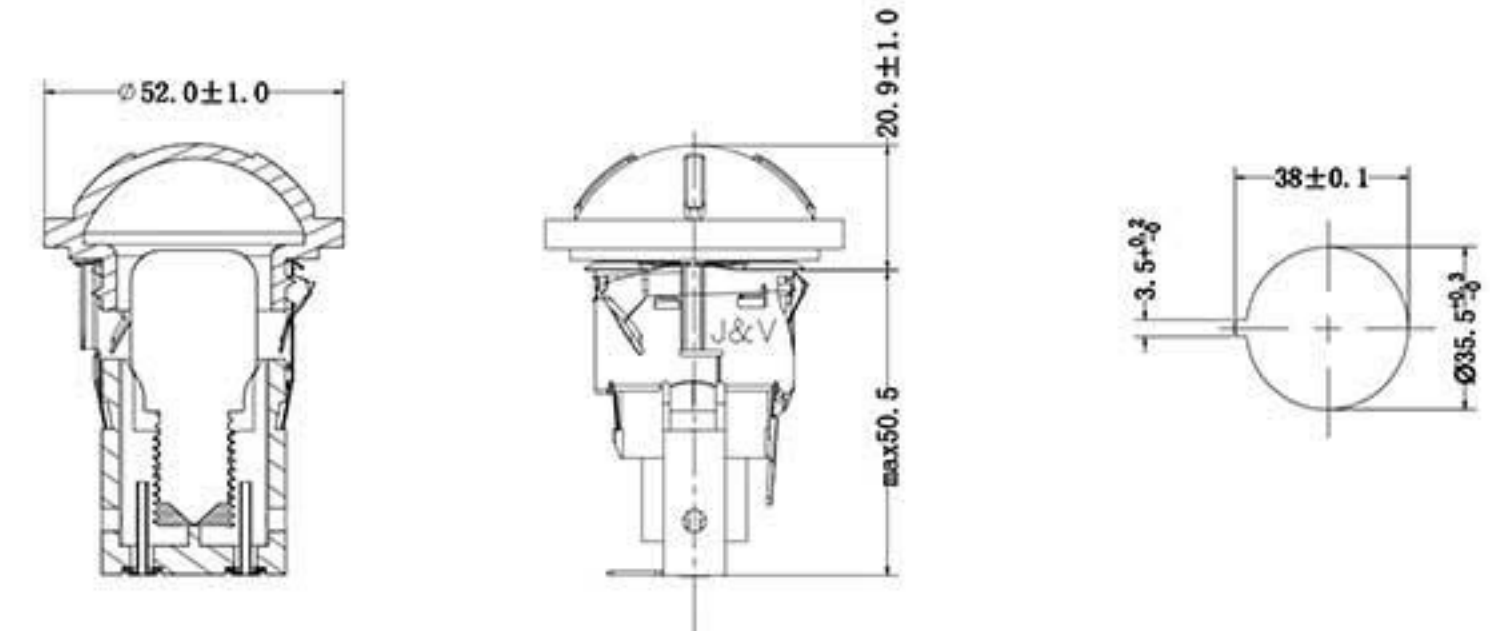
热·烤箱灯 HOT Oven lamps



型号/Model 88.32.3.52
 安装尺寸/Installation Size $\phi 35.5\text{mm}$
 端子/Terminal 250 公端子/
 Male Terminal(6.3*0.8)
 灯罩安装方式/
 Lamp Shade Installation Way 螺旋拧紧/
 Spiral tightening



认证/
 Certified



HOT Oven lamps

Related product parameters

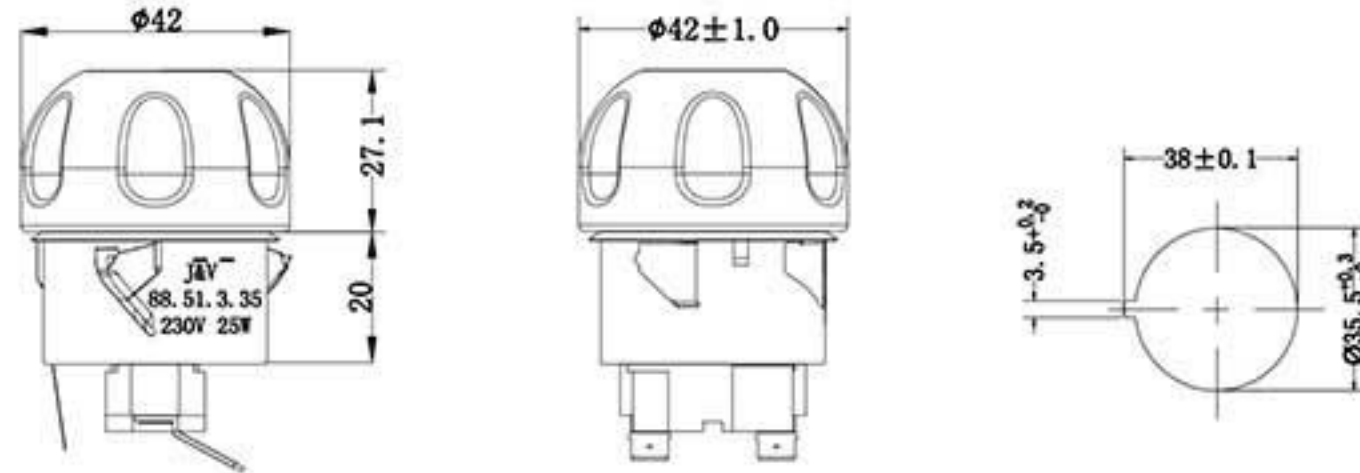
产品编码 Product Code	产品功率 Power	固定方式 fixing	灯泡型号 Bulb Type	电压 Voltage	灯罩材料 Lens	灯座材质 Lampholder	灯壳材料 Reflector
88.32.3.52.11307.3	15W	Snap in fixing 卡入式	E14	110-130V	Soda Lime glass 350°C 钠钙玻璃, 最 高温度 350°C	Steatite 陶瓷	Stainless steel 不锈钢表面
88.32.3.52.12307.3	15W			220-250V			
88.32.3.52.11507.3	25W			110-130V			
88.32.3.52.12507.3	25W			220-250V			
88.32.3.52.11308.3	15W			110-130V			
88.32.3.52.12308.3	15W			220-250V			
88.32.3.52.11508.3	25W			110-130V			
88.32.3.52.12508.3	25W			220-250V			

• Other cable versions on request

热·烤箱灯 HOT Oven lamps



型号/Model 88.51.3.35
 安装尺寸/Installation Size $\phi 35.5\text{mm}$
 端子/Terminal 250 公端子/ Male Terminal(6.3*0.8)
 灯罩安装方式/ Lamp Shade Installation Way 螺旋拧紧/ Spiral tightening



HOT Oven lamps

Related product parameters

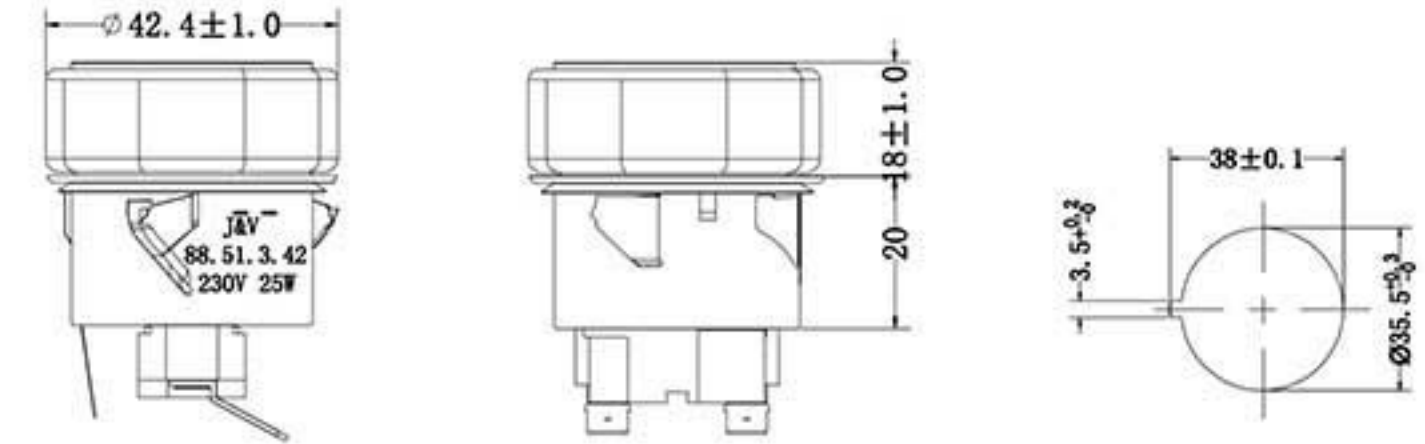
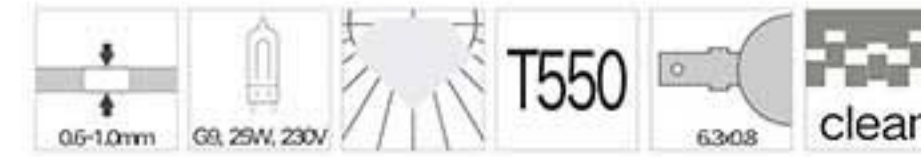
产品编码 Product Code	产品功率 Power	固定方式 fixing	灯泡型号 Bulb Type	电压 Voltage	灯罩材料 Lens	灯座材质 Lampholder	灯壳材料 Reflector
88.51.3.35.92507.5	25W	Snap in fixing 卡入式	G9	220-250V	borosilicate glass 550°C 高硼硅玻璃, 最高温度 550°C	Steatite 陶瓷	Stainless steel 不锈钢表面
88.51.3.35.92707.5	40W			220-250V			
88.51.3.35.91507.5	25W			110-130V			
88.51.3.35.91707.5	40W			110-130V			
88.51.3.35.92508.5	25W			220-250V			
88.51.3.35.92708.5	40W			220-250V			
88.51.3.35.91508.5	25W			110-130V			
88.51.3.35.91708.5	40W			110-130V			
88.51.3.35.92507.3	25W	Snap in fixing 卡入式	G9	220-250V	Soda Lime glass 350°C 钠钙玻璃, 最高温度 350°C	Steatite 陶瓷	Stainless steel 不锈钢表面
88.51.3.35.92707.3	40W			220-250V			
88.51.3.35.91507.3	25W			110-130V			
88.51.3.35.91707.3	40W			110-130V			
88.51.3.35.92508.3	25W			220-250V			
88.51.3.35.92708.3	40W			220-250V			
88.51.3.35.91508.3	25W			110-130V			
88.51.3.35.91708.3	40W			110-130V			

• Other cable versions on request

热·烤箱灯 HOT Oven lamps



型号/Model 88.51.3.42
 安装尺寸/Installation Size $\phi 35.5\text{mm}$
 端子/Terminal 250 公端子/ Male Terminal(6.3*0.8)
 灯罩安装方式/ Lamp Shade Installation Way 螺旋拧紧/ Spiral tightening



HOT Oven lamps

Related product parameters

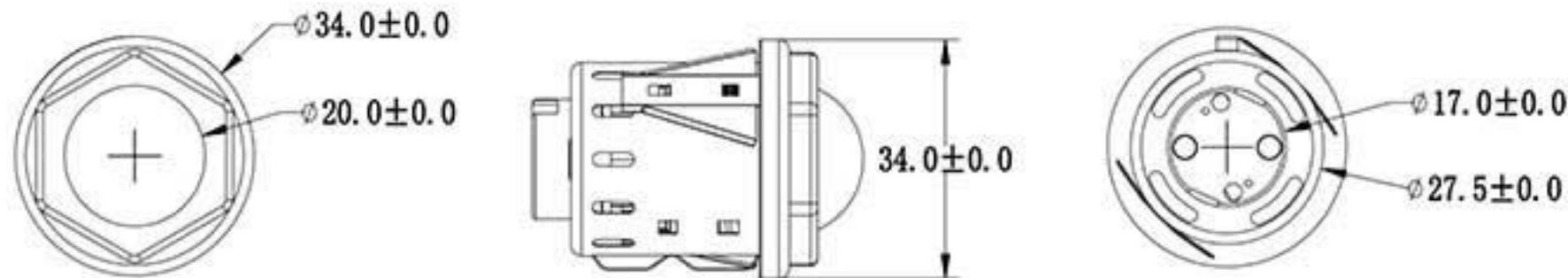
产品编码 Product Code	产品功率 Power	固定方式 fixing	灯泡型号 Bulb Type	电压 Voltage	灯罩材料 Lens	灯座材质 Lampholder	灯壳材料 Reflector
88.51.3.42.92507.5	25W	Snap in fixing 卡入式	G9	220-250V	borosilicate glass 550°C 高硼硅玻璃, 最高温度 550°C	Steatite 陶瓷	Stainless steel 不锈钢表面
88.51.3.42.92707.5	40W			220-250V			
88.51.3.42.91507.5	25W			110-130V			
88.51.3.42.91707.5	40W			110-130V			
88.51.3.42.92508.5	25W			220-250V			
88.51.3.42.92708.5	40W			220-250V			
88.51.3.42.91508.5	25W			110-130V			
88.51.3.42.91708.5	40W			110-130V			
88.51.3.42.92507.3	25W	Snap in fixing 卡入式	G9	220-250V	Soda Lime glass 350°C 钠钙玻璃, 最高温度 350°C	Steatite 陶瓷	Stainless steel 不锈钢表面
88.51.3.42.92707.3	40W			220-250V			
88.51.3.42.91507.3	25W			110-130V			
88.51.3.42.91707.3	40W			110-130V			
88.51.3.42.92508.3	25W			220-250V			
88.51.3.42.92708.3	40W			220-250V			
88.51.3.42.91508.3	25W			110-130V			
88.51.3.42.91708.3	40W			110-130V			

• Other cable versions on request

热·烤箱灯 HOT Oven lamps



型号/Model	88.11.9.91
安装尺寸/Installation Size	φ35.5mm
端子/Terminal	250 公端子/ Male Terminal(6.3*0.8)
灯罩安装方式/ Lamp Shade Installation Way	螺旋拧紧/ Spiral tightening



Related product parameters

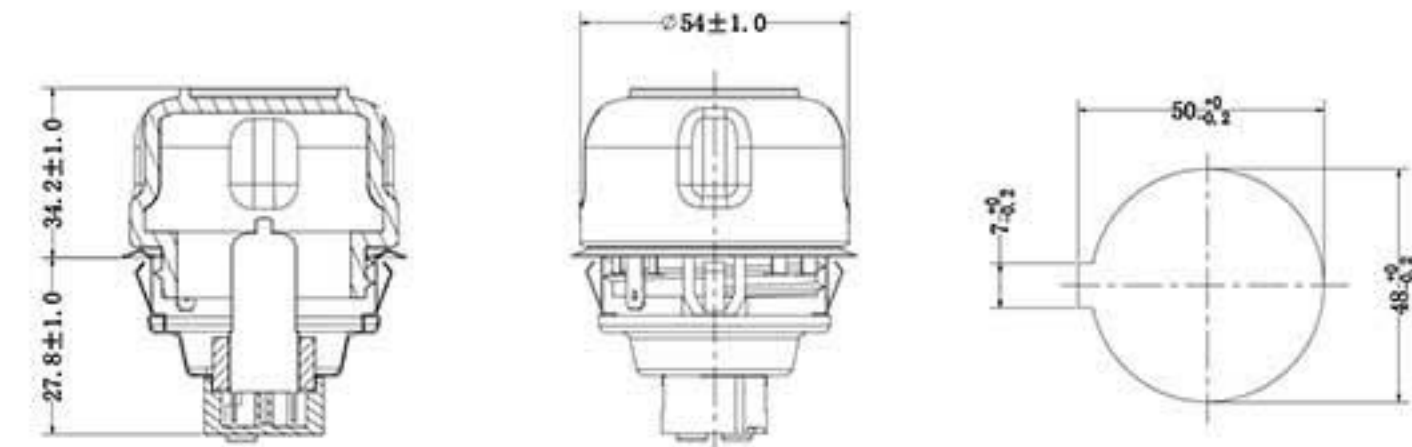
产品编码 Product Code	产品功率 Power	电线型号 Wires	电线耐温 Temperature	固定方式 fixing	灯泡型号 Bulb Type	电压 Voltage	灯罩材料 Lens	灯座材质 Lampholder	灯壳材料 Reflector				
88.11.9.91.43110	5W	10362/18#	max, 250°C	Snap in fixing 卡入式	G4	12V	borosilicate glass 550°C 高硼硅玻璃, 最 高温度550°C	Steatite 陶瓷	Stainless steel 不锈钢表面				
88.11.9.91.43150	5W	5128/18#	max, 450°C										
88.11.9.91.43210	10W	10362/18#	max, 250°C										
88.11.9.91.43250	10W	5128/18#	max, 450°C										
88.11.9.91.43410	20W	10362/18#	max, 250°C										
88.11.9.91.43450	20W	5128/18#	max, 450°C										
88.11.9.91.51510	25W	10362/18#	max, 250°C										
88.11.9.91.51550	25W	5128/18#	max, 450°C										
88.11.9.91.52510	25W	10362/18#	max, 250°C										
88.11.9.91.52550	25W	5128/18#	max, 450°C										
88.11.9.91.53210	10W	10362/18#	max, 250°C										
88.11.9.91.53450	20W	5128/18#	max, 450°C										
						G5.3				12V			

• Other cable versions on request

热·烤箱灯 HOT Oven lamps



型号/Model	88.23.6.63
安装尺寸/Installation Size	φ48mm
端子/Terminal	250 母端子/ Female Terminal(6.3*0.8)
灯罩安装方式/ Lamp Shade Installation Way	螺旋拧紧/ Spiral tightening



Related product parameters

产品编码 Product Code	产品功率 Power	电线型号 Wires	电线耐温 Temperature	固定方式 fixing	灯泡型号 Bulb Type	电压 Voltage	灯罩材料 Lens	灯座材质 Lampholder	灯壳材料 Reflector
88.23.6.63.915105	25W	10362/18#	max, 250°C	Snap in fixing 卡入式	G9	220-250V	borosilicate glass 550°C 高硼硅玻璃, 最 高温度550°C	Steatite 陶瓷	Stainless steel 不锈钢表面
88.23.6.63.915505	25W	5128/18#	max, 450°C						
88.23.6.63.925105	25W	10362/18#	max, 250°C						
88.23.6.63.925505	25W	5128/18#	max, 450°C						
88.23.6.63.927105	25W	5128/18#	max, 450°C						
88.23.6.63.927505	25W	10362/18#	max, 250°C						
88.23.6.63.917105	25W	5128/18#	max, 450°C						
88.23.6.63.917505	25W	5128/18#	max, 450°C						
88.23.6.63.915103	25W	10362/18#	max, 250°C						
88.23.6.63.915503	25W	5128/18#	max, 450°C						
88.23.6.63.925103	25W	10362/18#	max, 250°C						
88.23.6.63.925503	25W	5128/18#	max, 450°C						
				Snap in fixing 卡入式	G9	220-250V	Soda Lime glass 350°C 钠钙玻璃, 最 高温度350°C	Steatite 陶瓷	Stainless steel 不锈钢表面

• Other cable versions on request

热·烤箱灯 HOT Oven lamps

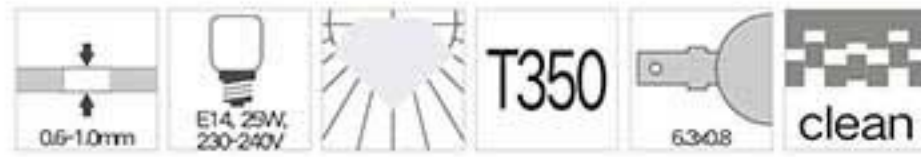


型号/Model 88.31.6.63

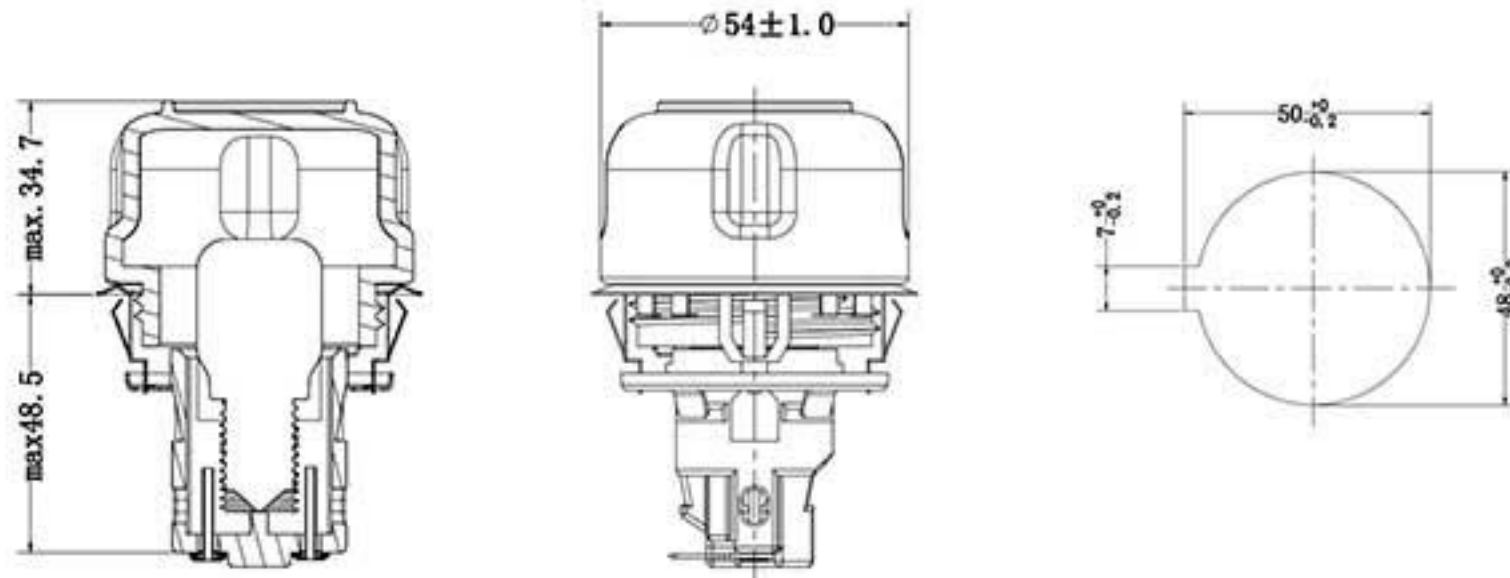
安装尺寸/Installation Size $\phi 48\text{mm}$

端子/Terminal 250 公端子/
Male Terminal(6.3*0.8)

灯罩安装方式/
Lamp Shade Installation Way 螺旋拧紧/
Spiral tightening



认证/
Certified



HOT Oven lamps

Related product parameters

产品编码 Product Code	产品功率 Power	固定方式 fixing	灯泡型号 Bulb Type	电压 Voltage	灯罩材料 Lens	灯座材质 Lampholder	灯壳材料 Reflector
88.31.6.63.11307.3	15W	Snap in fixing 卡入式	E14	110-130V	Soda Lime glass 350°C 钠钙玻璃, 最 高温度 350°C	Steatite 陶瓷	Stainless steel 不锈钢表面
88.31.6.63.12307.3	15W			220-250V			
88.31.6.63.11507.3	25W			110-130V			
88.31.6.63.12507.3	25W			220-250V			
88.31.6.63.11308.3	15W			110-130V			
88.31.6.63.12308.3	15W			220-250V			
88.31.6.63.11508.3	25W			110-130V			
88.31.6.63.12508.3	25W			220-250V			

• Other cable versions on request

热·烤箱灯 HOT Oven lamps



型号/Model 88.32.6.63

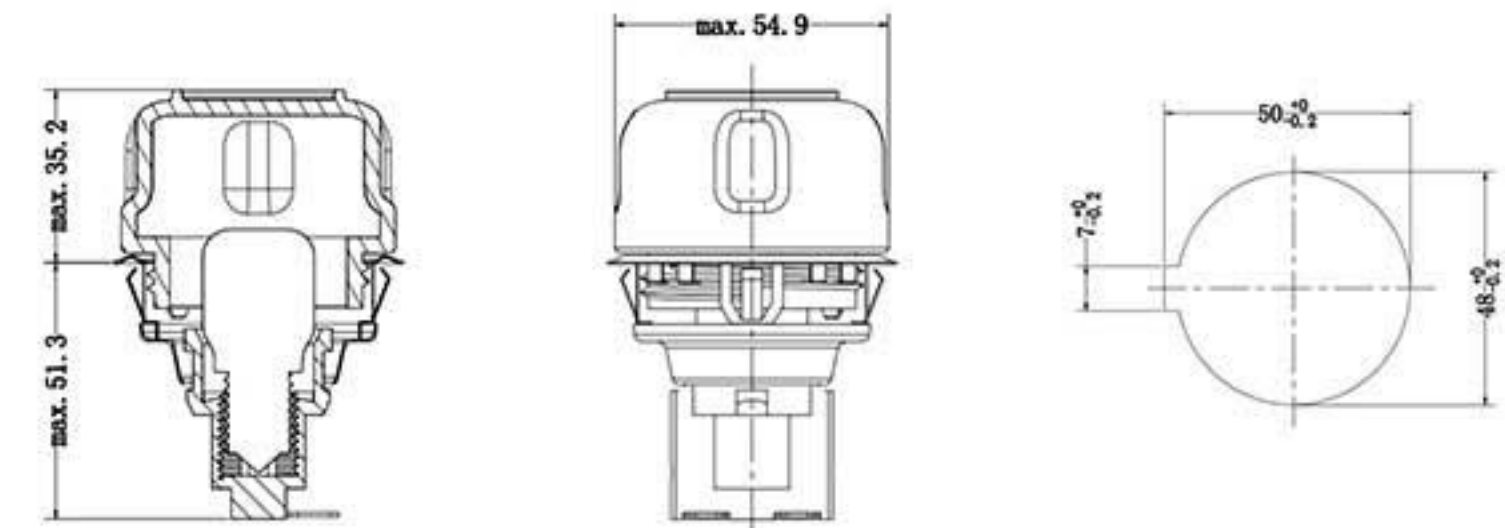
安装尺寸/Installation Size $\phi 48\text{mm}$

端子/Terminal 250 公端子/
Male Terminal(6.3*0.8)

灯罩安装方式/
Lamp Shade Installation Way 螺旋拧紧/
Spiral tightening



认证/
Certified



HOT Oven lamps

Related product parameters

产品编码 Product Code	产品功率 Power	固定方式 fixing	灯泡型号 Bulb Type	电压 Voltage	灯罩材料 Lens	灯座材质 Lampholder	灯壳材料 Reflector
88.32.6.63.11307.3	15W	Snap in fixing 卡入式	E14	110-130V	Soda Lime glass 350°C 钠钙玻璃, 最 高温度 350°C	Steatite 陶瓷	Stainless steel 不锈钢表面
88.32.6.63.12307.3	15W			220-250V			
88.32.6.63.11507.3	25W			110-130V			
88.32.6.63.12507.3	25W			220-250V			
88.32.6.63.11308.3	15W			110-130V			
88.32.6.63.12308.3	15W			220-250V			
88.32.6.63.11508.3	25W			110-130V			
88.32.6.63.12508.3	25W			220-250V			

• Other cable versions on request

热·烤箱灯 HOT Oven lamps



型号/Model 88.22.5.72

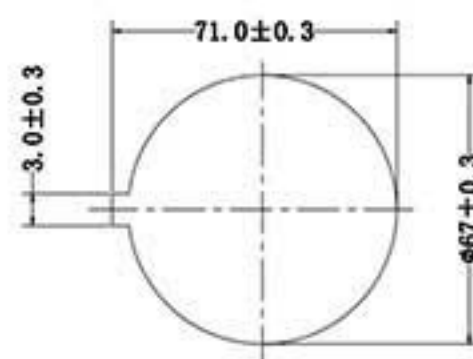
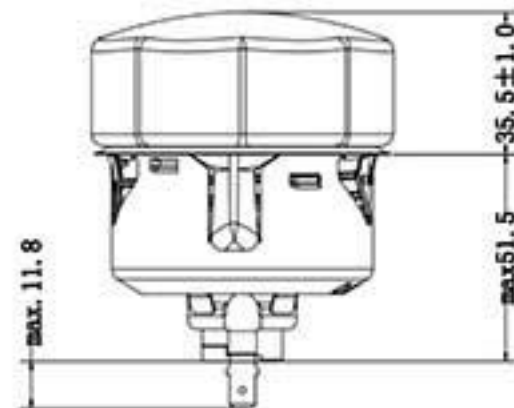
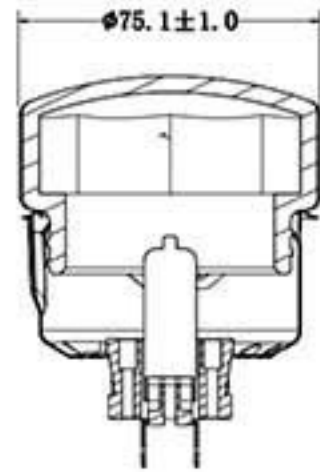
安装尺寸/Installation Size $\phi 67\text{mm}$

端子/Terminal 250 公端子/
Male Terminal(6.3*0.8)

灯罩安装方式/
Lamp Shade Installation Way 螺旋拧紧/
Spiral tightening



认证/
Certified



HOT Oven lamps

Related product parameters

产品编码 Product Code	产品功率 Power	固定方式 fixing	灯泡型号 Bulb Type	电压 Voltage	灯罩材料 Lens	灯座材质 Lampholder	灯壳材料 Reflector
88.22.5.72.92507.5	25W	Snap in fixing 卡入式	G9	220-250V	borosilicate glass 550°C 高硼硅玻璃, 最 高温度 550°C	Steatite 陶瓷	Stainless steel 不锈钢表面
88.22.5.72.92707.5	40W			220-250V			
88.22.5.72.91507.5	25W			110-130V			
88.22.5.72.91707.5	40W			110-130V			
88.22.5.72.92508.5	25W			220-250V			
88.22.5.72.92708.5	40W			220-250V			
88.22.5.72.91508.5	25W			110-130V			
88.22.5.72.91708.5	40W			110-130V			
88.22.5.72.92507.3	25W	Snap in fixing 卡入式	G9	220-250V	Soda Lime glass 350°C 钠钙玻璃, 最 高温度 350°C	Steatite 陶瓷	Stainless steel 不锈钢表面
88.22.5.72.92707.3	40W			220-250V			
88.22.5.72.91507.3	25W			110-130V			
88.22.5.72.91707.3	40W			110-130V			
88.22.5.72.92508.3	25W			220-250V			
88.22.5.72.92708.3	40W			220-250V			
88.22.5.72.91508.3	25W			110-130V			
88.22.5.72.91708.3	40W			110-130V			

• Other cable versions on request

热·烤箱灯 HOT Oven lamps

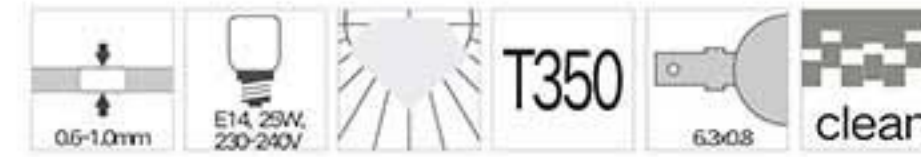


型号/Model 88.61.5.71

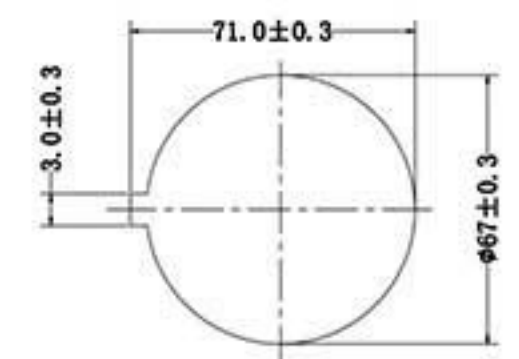
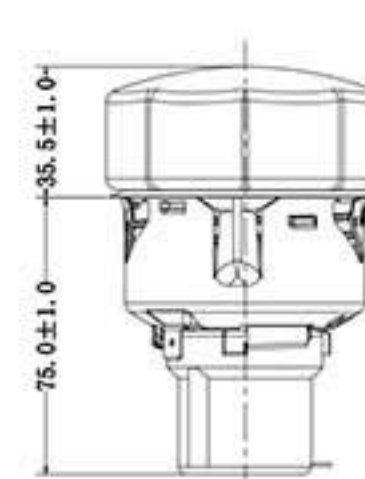
安装尺寸/Installation Size $\phi 67\text{mm}$

端子/Terminal 250 公端子/
Male Terminal(6.3*0.8)

灯罩安装方式/
Lamp Shade Installation Way 螺旋拧紧/
Spiral tightening



认证/
Certified



HOT Oven lamps

Related product parameters

产品编码 Product Code	产品功率 Power	固定方式 fixing	灯泡型号 Bulb Type	电压 Voltage	灯罩材料 Lens	灯座材质 Lampholder	灯壳材料 Reflector
88.61.5.71.21707.5	40W	Snap in fixing 卡入式	E26	110-130V	borosilicate glass 550°C 高硼硅玻璃, 最 高温度 550°C	Steatite 陶瓷	Stainless steel 不锈钢表面
88.61.5.71.22707.5	40W			220-250V			
88.61.5.71.21807.5	60W			110-130V			
88.61.5.71.22807.5	60W			220-250V			
88.61.5.71.21708.5	40W			110-130V			
88.61.5.71.22708.5	40W			220-250V			
88.61.5.71.21808.5	60W			110-130V			
88.61.5.71.22808.5	60W			220-250V			

• Other cable versions on request

热·烤箱灯 HOT Oven lamps



型号/Model 88.61.5.72

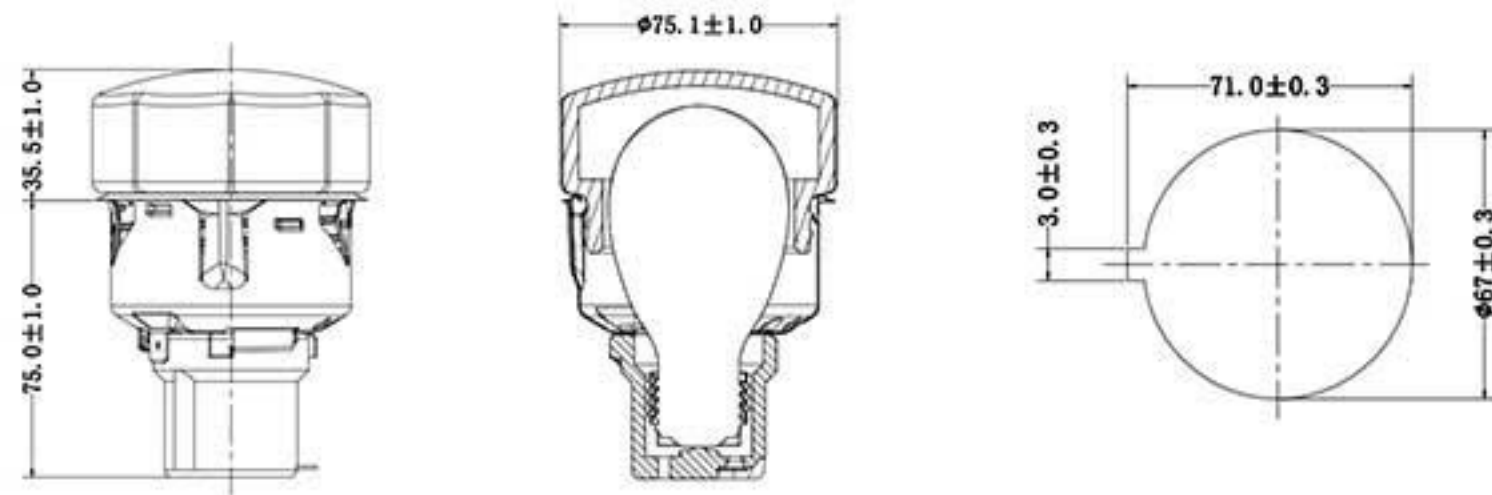
安装尺寸/Installation Size $\phi 67\text{mm}$

端子/Terminal 250 公端子/
Male Terminal(6.3*0.8)

灯罩安装方式/
Lamp Shade Installation Way 螺旋拧紧/
Spiral tightening



认证/
Certified



HOT Oven lamps

Related product parameters

产品编码 Product Code	产品功率 Power	固定方式 fixing	灯泡型号 Bulb Type	电压 Voltage	灯罩材料 Lens	灯座材质 Lampholder	灯壳材料 Reflector
88.61.5.72.21707.5	40W	Snap in fixing 卡入式	E26	110-130V	borosilicate glass 550°C 高硼硅玻璃, 最 高温度 550°C	Steatite 陶瓷	Stainless steel 不锈钢表面
88.61.5.72.22707.5	40W			220-250V			
88.61.5.72.21807.5	60W			110-130V			
88.61.5.72.22807.5	60W			220-250V			
88.61.5.72.21708.5	40W			110-130V			
88.61.5.72.22708.5	40W			220-250V			
88.61.5.72.21808.5	60W			110-130V			
88.61.5.72.22808.5	60W			220-250V			

• Other cable versions on request

湿·蒸箱灯 WET Steamer light



型号/Model 88.21.1.13

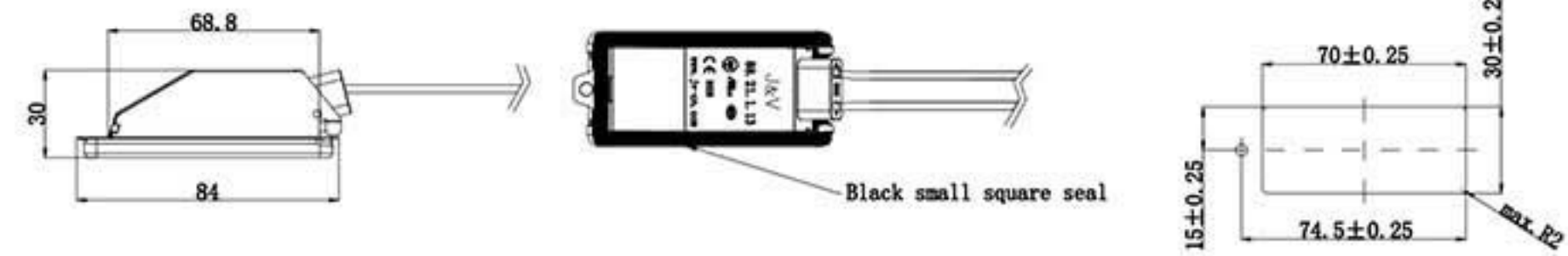
安装尺寸/Installation Size 30*70mm

端子/Terminal 250 母端子/
Female Terminal(6.3*0.8)

灯罩安装方式/
Lamp Shade Installation Way 卡入式/Snap-in



认证/
Certified



WET Steamer light

Related product parameters

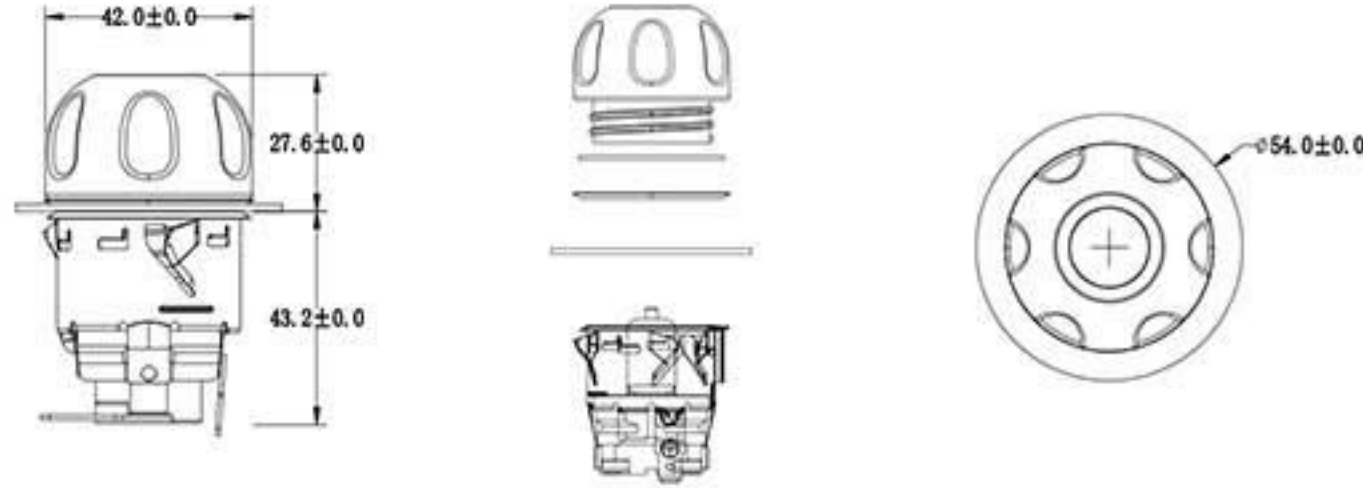
产品编码 Product Code	产品功率 Power	电线型号 Wires	电线耐温 Temperature	固定方式 fixing	灯泡型号 Bulb Type	电压 Voltage	灯罩材料 Lens	灯座材质 Lampholder	灯壳材料 Reflector
88.21.1.13.91510	25W	10362/18#	max, 250°C	Screw fixing 螺丝固定	G9	220-250V	borosilicate glass 550°C 高硼硅玻璃, 最 高温度 550°C	Steatite 陶瓷	Stainless steel 不锈钢表面
88.21.1.13.91550	25W	5128/18#	max, 450°C			220-250V			
88.21.1.13.92510	25W	10362/18#	max, 250°C			110-130V			
88.21.1.13.92550	25W	5128/18#	max, 450°C			110-130V			
88.21.1.13.92710	25W	5128/18#	max, 450°C			220-250V			
88.21.1.13.92750	25W	10362/18#	max, 250°C			220-250V			
88.21.1.13.91710	25W	5128/18#	max, 450°C			110-130V			
88.21.1.13.91750	25W	5128/18#	max, 450°C			110-130V			

• Other cable versions on request

湿·蒸箱灯 WET Steamer light



型号/Model 88.22.3.35
 安装尺寸/Installation Size $\phi 35.5\text{mm}$
 端子/Terminal 250 公端子/ Male Terminal(6.3*0.8)
 灯罩安装方式/ Lamp Shade Installation Way 螺旋拧紧/ Spiral tightening



WET Steamer light

Related product parameters

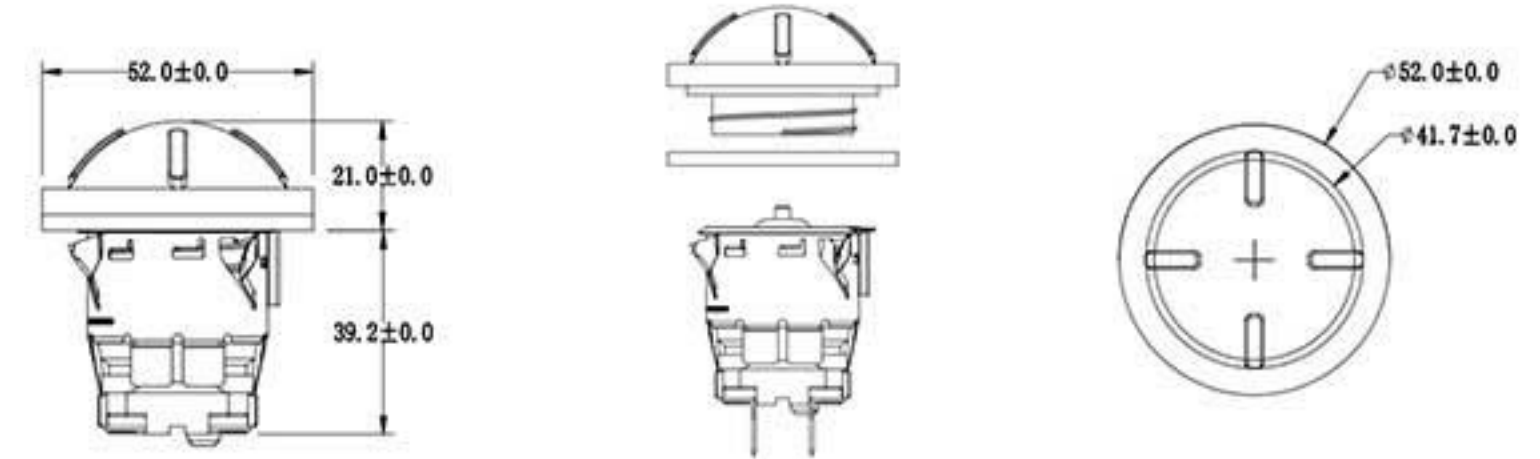
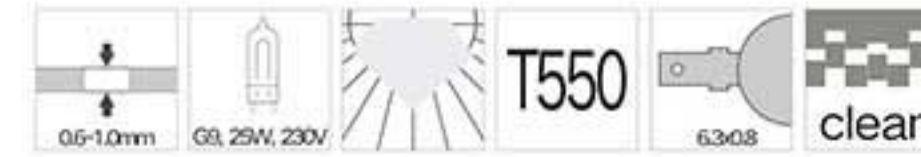
产品编码 Product Code	产品功率 Power	固定方式 fixing	灯泡型号 Bulb Type	电压 Voltage	灯罩材料 Lens	灯座材质 Lampholder	灯壳材料 Reflector
88.22.3.35.92507.5	25W	Snap in fixing 卡入式	G9	220-250V	borosilicate glass 550°C 高硼硅玻璃, 最 高温度 550°C	Steatite 陶瓷	Stainless steel 不锈钢表面
88.22.3.35.92707.5	40W			220-250V			
88.22.3.35.91507.5	25W			110-130V			
88.22.3.35.91707.5	40W			110-130V			
88.22.3.35.92508.5	25W			220-250V			
88.22.3.35.92708.5	40W			220-250V			
88.22.3.35.91508.5	25W			110-130V			
88.22.3.35.91708.5	40W			110-130V			
88.22.3.35.92507.3	25W	Snap in fixing 卡入式	G9	220-250V	Soda Lime glass 350°C 钠钙玻璃, 最 高温度 350°C	Steatite 陶瓷	Stainless steel 不锈钢表面
88.22.3.35.92707.3	40W			220-250V			
88.22.3.35.91507.3	25W			110-130V			
88.22.3.35.91707.3	40W			110-130V			
88.22.3.35.92508.3	25W			220-250V			
88.22.3.35.92708.3	40W			220-250V			
88.22.3.35.91508.3	25W			110-130V			
88.22.3.35.91708.3	40W			110-130V			

• Other cable versions on request

湿·蒸箱灯 WET Steamer light



型号/Model 88.22.3.52
 安装尺寸/Installation Size $\phi 35.5\text{mm}$
 端子/Terminal 250 公端子/ Male Terminal(6.3*0.8)
 灯罩安装方式/ Lamp Shade Installation Way 螺旋拧紧/ Spiral tightening



WET Steamer light

Related product parameters

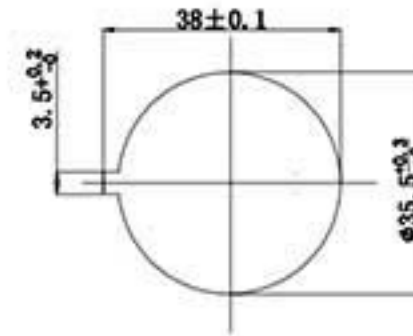
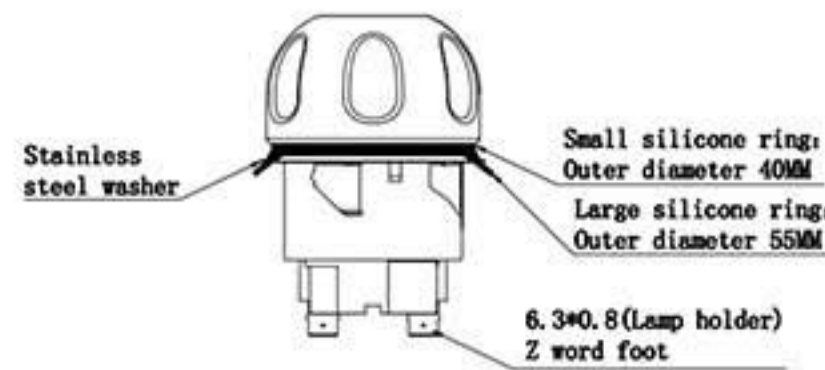
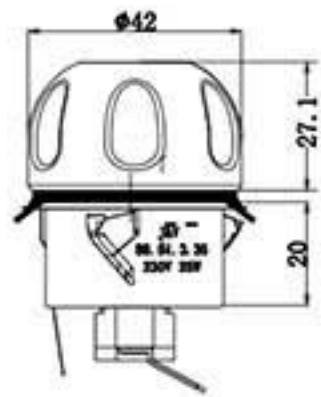
产品编码 Product Code	产品功率 Power	固定方式 fixing	灯泡型号 Bulb Type	电压 Voltage	灯罩材料 Lens	灯座材质 Lampholder	灯壳材料 Reflector
88.22.3.52.92507.5	25W	Snap in fixing 卡入式	G9	220-250V	borosilicate glass 550°C 高硼硅玻璃, 最 高温度 550°C	Steatite 陶瓷	Stainless steel 不锈钢表面
88.22.3.52.92707.5	40W			220-250V			
88.22.3.52.91507.5	25W			110-130V			
88.22.3.52.91707.5	40W			110-130V			
88.22.3.52.92508.5	25W			220-250V			
88.22.3.52.92708.5	40W			220-250V			
88.22.3.52.91508.5	25W			110-130V			
88.22.3.52.91708.5	40W			110-130V			
88.22.3.52.92507.3	25W	Snap in fixing 卡入式	G9	220-250V	Soda Lime glass 350°C 钠钙玻璃, 最 高温度 350°C	Steatite 陶瓷	Stainless steel 不锈钢表面
88.22.3.52.92707.3	40W			220-250V			
88.22.3.52.91507.3	25W			110-130V			
88.22.3.52.91707.3	40W			110-130V			
88.22.3.52.92508.3	25W			220-250V			
88.22.3.52.92708.3	40W			220-250V			
88.22.3.52.91508.3	25W			110-130V			
88.22.3.52.91708.3	40W			110-130V			

• Other cable versions on request

湿·蒸箱灯 WET Steamer light



型号/Model	88.51.3.35
安装尺寸/Installation Size	φ35.5mm
端子/Terminal	250 公端子/ Male Terminal(6.3*0.8)
灯罩安装方式/ Lamp Shade Installation Way	螺旋拧紧/ Spiral tightening



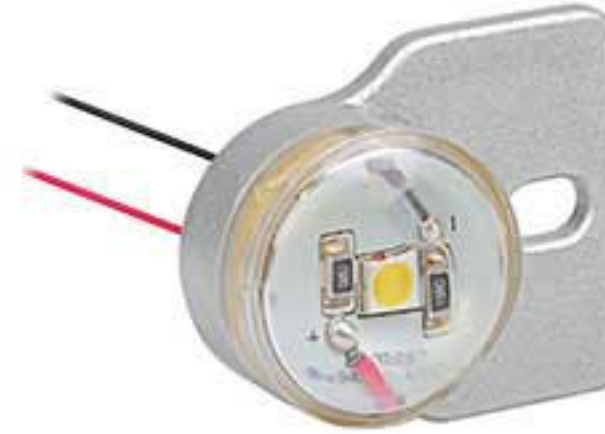
WET Steamer light

Related product parameters

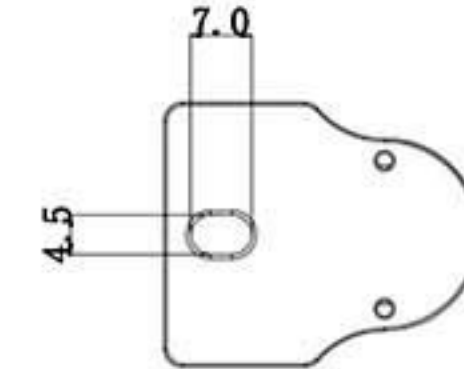
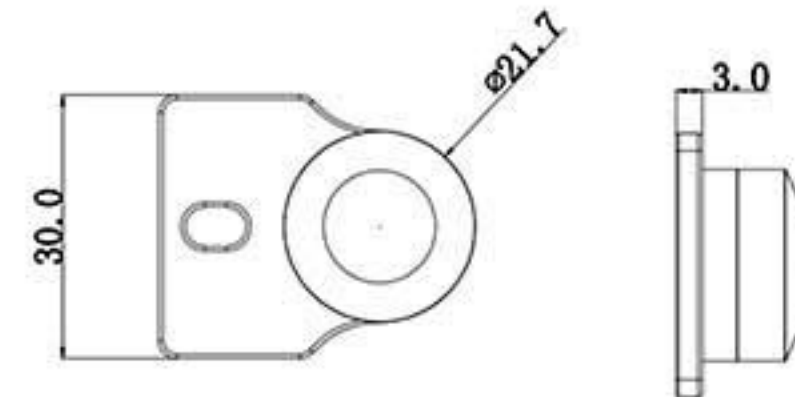
产品编码 Product Code	产品功率 Power	固定方式 fixing	灯泡型号 Bulb Type	电压 Voltage	灯罩材料 Lens	灯座材质 Lampholder	灯壳材料 Reflector
88.51.3.35.92507.5	25W	Snap in fixing 卡入式	G9	220-250V	borosilicate glass 550°C 高硼硅玻璃, 最 高温度 550°C	Steatite 陶瓷	Stainless steel 不锈钢表面
88.51.3.35.92707.5	40W			220-250V			
88.51.3.35.91507.5	25W			110-130V			
88.51.3.35.91707.5	40W			110-130V			
88.51.3.35.92508.5	25W			220-250V			
88.51.3.35.92708.5	40W			220-250V			
88.51.3.35.91508.5	25W			110-130V			
88.51.3.35.91708.5	40W			110-130V			
88.51.3.35.92507.3	25W	Snap in fixing 卡入式	G9	220-250V	Soda Lime glass 350°C 钠钙玻璃, 最 高温度 350°C	Steatite 陶瓷	Stainless steel 不锈钢表面
88.51.3.35.92707.3	40W			220-250V			
88.51.3.35.91507.3	25W			110-130V			
88.51.3.35.91707.3	40W			110-130V			
88.51.3.35.92508.3	25W			220-250V			
88.51.3.35.92708.3	40W			220-250V			
88.51.3.35.91508.3	25W			110-130V			
88.51.3.35.91708.3	40W			110-130V			

• Other cable versions on request

湿·蒸箱灯 WET Steamer light



型号/Model	JV-LEDZXD-001
安装尺寸/Installation Size	φ22mm
端子/Terminal	250 母端子/ Female Terminal(6.3*0.8)
灯罩安装方式/ Lamp Shade Installation Way	胶粘/Glue



WET Steamer light

Related product parameters

产品编码 Product Code	产品功率 Power	电线型号 Wires	电线耐温 Temperature	固定方式 fixing	灯泡型号 Bulb Type	电压 Voltage	灯罩材料 Lens	灯座材质 Lampholder	灯壳材料 Reflector
JV-LEDZXD-001	3-5W	10362/18#	max, 250°C	Screw fixing 螺丝固定	LED	12V	borosilicate glass 550°C 高硼硅玻璃, 最 高温度 550°C	aluminum 铝	aluminum 铝

• Other cable versions on request

湿·洗碗机灯 WET Dishwasher light

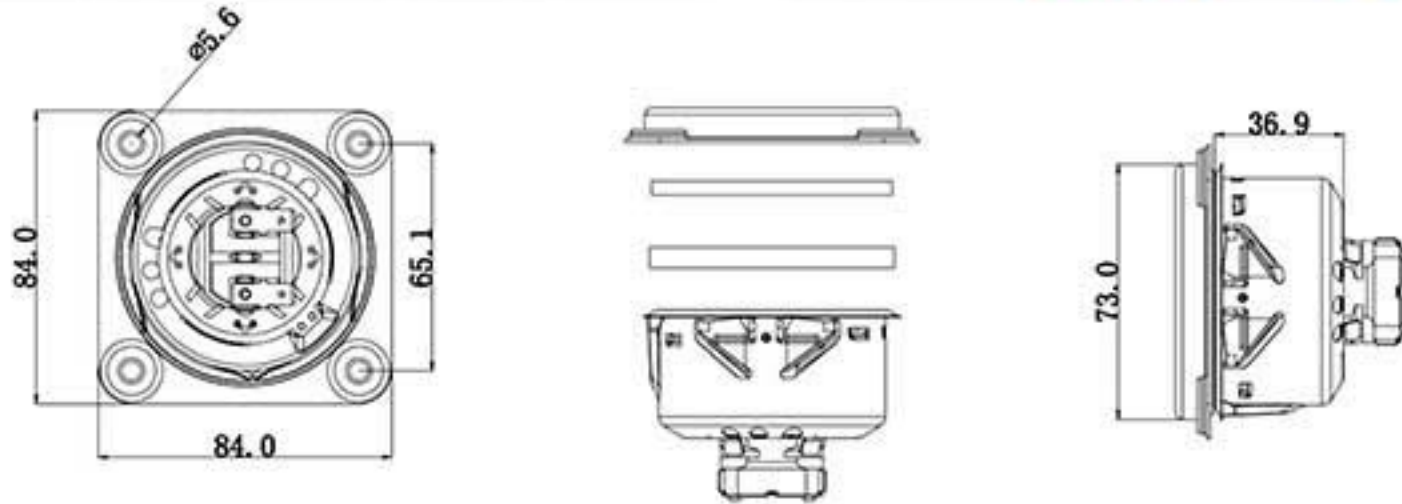


型号/Model 88.22.5.73

安装尺寸/Installation Size φ67mm

端子/Terminal 250 公端子/ Male Terminal(6.3*0.8)

灯罩安装方式/ Lamp Shade Installation Way 螺丝坚固/ Screw fastening



Dishwasher light

Related product parameters

产品编码 Product Code	产品功率 Power	固定方式 fixing	灯泡型号 Bulb Type	电压 Voltage	灯罩材料 Lens	灯座材质 Lampholder	灯壳材料 Reflector
88.22.5.73.92507.5	25W	Snap in fixing 卡入式	G9	220-250V	borosilicate glass 550°C 高硼硅玻璃, 最高温度550°C	Steatite 陶瓷	Stainless steel 不锈钢表面
88.22.5.73.92707.5	40W			220-250V			
88.22.5.73.91507.5	25W			110-130V			
88.22.5.73.91707.5	40W			110-130V			
88.22.5.73.92508.5	25W			220-250V			
88.22.5.73.92708.5	40W			220-250V			
88.22.5.73.91508.5	25W			110-130V			
88.22.5.73.91708.5	40W			110-130V			
88.22.5.73.92507.3	25W	Snap in fixing 卡入式	G9	220-250V	Soda Lime glass 350°C 钠钙玻璃, 最高温度350°C	Steatite 陶瓷	Stainless steel 不锈钢表面
88.22.5.73.92707.3	40W			220-250V			
88.22.5.73.91507.3	25W			110-130V			
88.22.5.73.91707.3	40W			110-130V			
88.22.5.73.92508.3	25W			220-250V			
88.22.5.73.92708.3	40W			220-250V			
88.22.5.73.91508.3	25W			110-130V			
88.22.5.73.91708.3	40W			110-130V			

• Other cable versions on request

湿·洗碗机灯 WET Dishwasher light

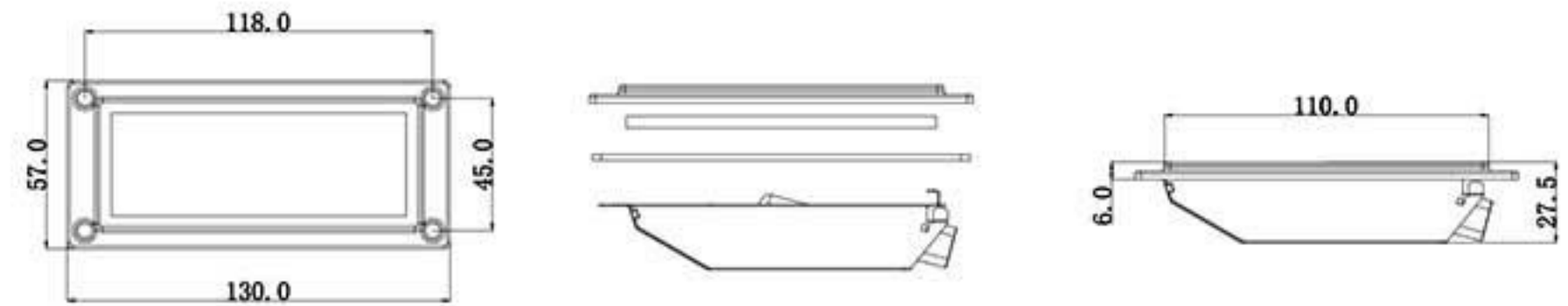


型号/Model 88.21.1.15

安装尺寸/Installation Size 30*100mm

端子/Terminal 250 母端子/ Female Terminal(6.3*0.8)

灯罩安装方式/ Lamp Shade Installation Way 螺丝坚固/ Screw fastening



Dishwasher light

Related product parameters

产品编码 Product Code	产品功率 Power	电线型号 Wires	电线耐温 Temperature	固定方式 fixing	灯泡型号 Bulb Type	电压 Voltage	灯罩材料 Lens	灯座材质 Lampholder	灯壳材料 Reflector
88.21.1.15.91510	25W	10362/18#	max, 250°C	Snap in fixing 卡入式	G9	220-250V	borosilicate glass 550°C 高硼硅玻璃, 最高温度550°C	Steatite 陶瓷	Stainless steel 不锈钢表面
88.21.1.15.91550	25W	5128/18#	max, 450°C			220-250V			
88.21.1.15.92510	25W	10362/18#	max, 250°C			110-130V			
88.21.1.15.92550	25W	5128/18#	max, 450°C			110-130V			
88.21.1.15.92710	25W	5128/18#	max, 450°C			220-250V			
88.21.1.15.92750	25W	10362/18#	max, 250°C			220-250V			
88.21.1.15.91710	25W	5128/18#	max, 450°C			110-130V			
88.21.1.15.91750	25W	5128/18#	max, 450°C			110-130V			

• Other cable versions on request

湿·洗碗机灯 WET Dishwasher light



型号/Model 88.21.4.24

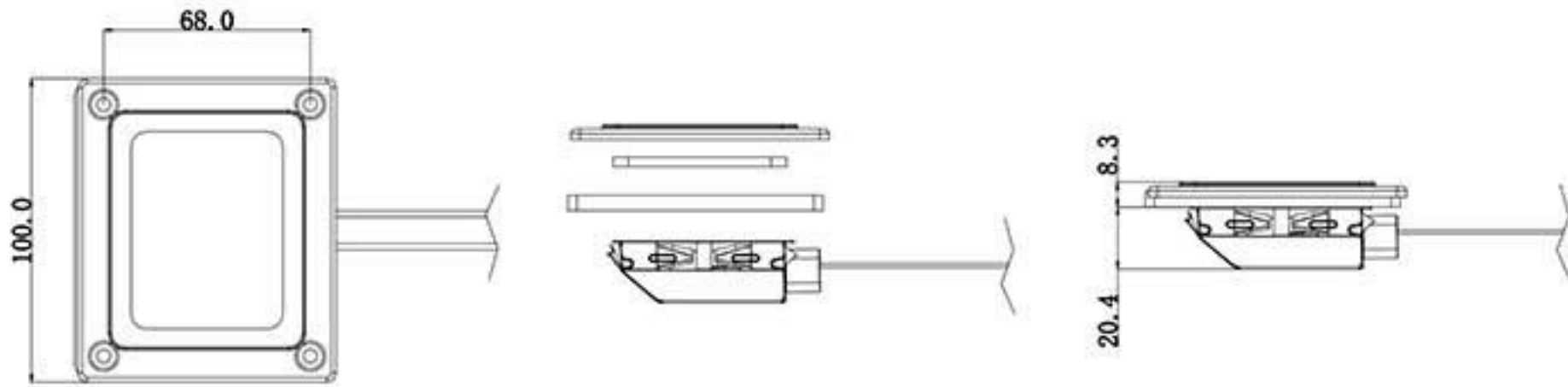
安装尺寸/Installation Size 55*70mm

端子/Terminal 250 母端子/
Female Terminal(6.3*0.8)

灯罩安装方式/
Lamp Shade Installation Way 螺丝坚固/
Screw fastening



认证/
Certified



Dishwasher light

Related product parameters

产品编码 Product Code	产品功率 Power	电线型号 Wires	电线耐温 Temperature	固定方式 fixing	灯泡型号 Bulb Type	电压 Voltage	灯罩材料 Lens	灯座材质 Lampholder	灯壳材料 Reflector
88.21.4.2491510.5	25W	10362/18#	max, 250°C	Snap in fixing 卡入式	G9	220-250V	borosilicate glass 550°C 高硼硅玻璃, 最 高温度550°C	Steatite 陶瓷	Stainless steel 不锈钢表面
88.21.4.2491550.5	25W	5128/18#	max, 450°C			220-250V			
88.21.4.2492510.5	25W	10362/18#	max, 250°C			110-130V			
88.21.4.2492550.5	25W	5128/18#	max, 450°C			110-130V			
88.21.4.2492710.5	25W	5128/18#	max, 450°C			220-250V			
88.21.4.2492750.5	25W	10362/18#	max, 250°C			220-250V			
88.21.4.2491710.5	25W	5128/18#	max, 450°C			110-130V			
88.21.4.2491750.5	25W	5128/18#	max, 450°C			110-130V			
88.21.4.2491510.3	25W	10362/18#	max, 250°C	Snap in fixing 卡入式	G9	220-250V	Soda Lime glass 350°C 钠钙玻璃, 最 高温度350°C	Steatite 陶瓷	Stainless steel 不锈钢表面
88.21.4.2491550.3	25W	5128/18#	max, 450°C			220-250V			
88.21.4.2492510.3	25W	10362/18#	max, 250°C			110-130V			
88.21.4.2492550.3	25W	5128/18#	max, 450°C			110-130V			
88.21.4.2492710.3	25W	5128/18#	max, 450°C			220-250V			
88.21.4.2492750.3	25W	10362/18#	max, 250°C			220-250V			
88.21.4.2491710.3	25W	5128/18#	max, 450°C			110-130V			
88.21.4.2491750.3	25W	5128/18#	max, 450°C			110-130V			

• Other cable versions on request

湿·洗碗机灯 WET Dishwasher light



型号/Model 88.51.7.27

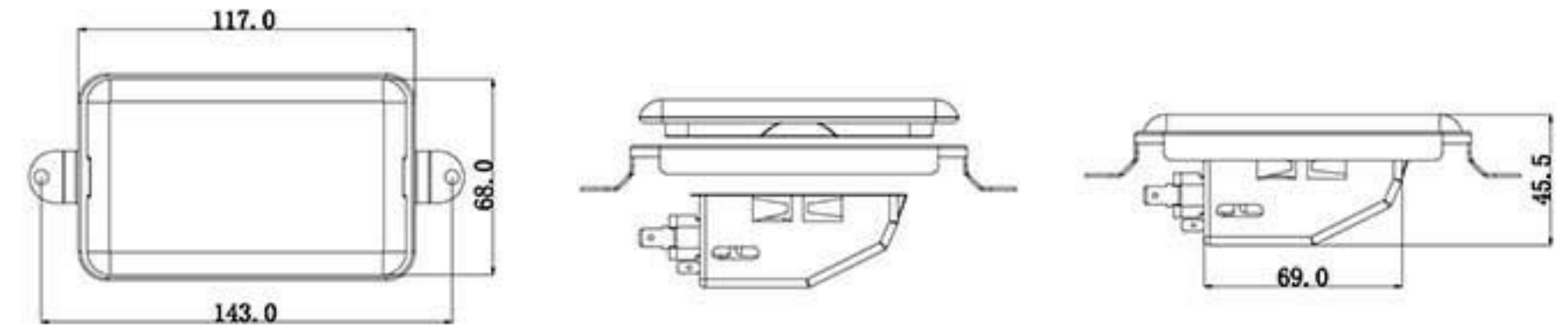
安装尺寸/Installation Size 30*100mm

端子/Terminal 250 母端子/
Female Terminal(6.3*0.8)

灯罩安装方式/
Lamp Shade Installation Way 螺丝坚固/
Screw fastening



认证/
Certified



Dishwasher light

Related product parameters

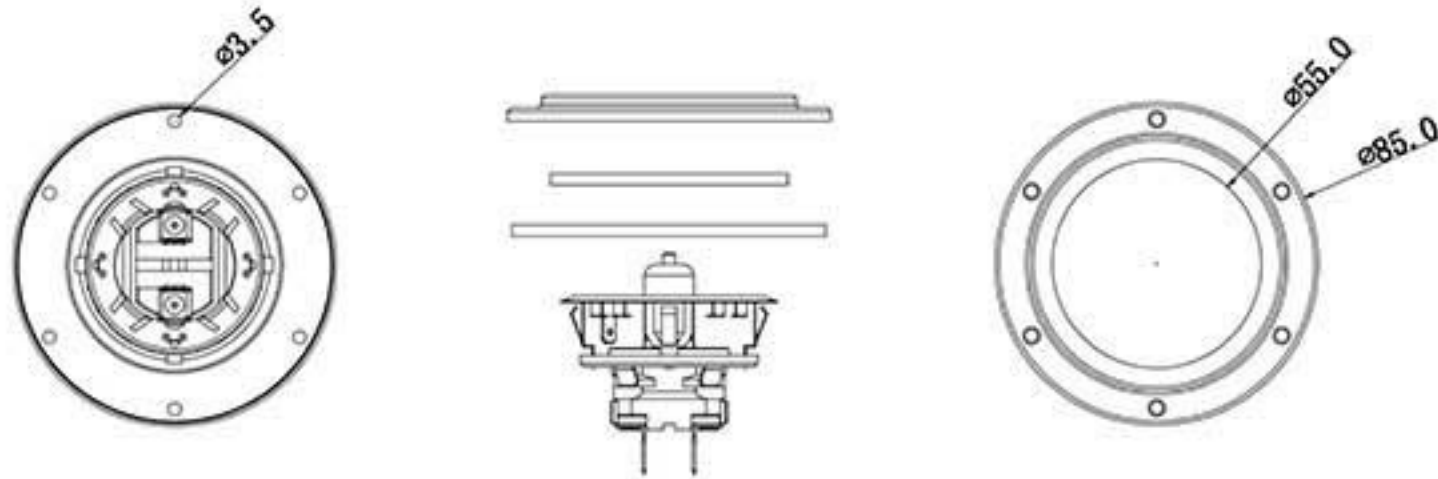
产品编码 Product Code	产品功率 Power	固定方式 fixing	灯泡型号 Bulb Type	电压 Voltage	灯罩材料 Lens	灯座材质 Lampholder	灯壳材料 Reflector
88.51.7.27.92507.5	25W	Snap in fixing 卡入式	G9	220-250V	borosilicate glass 550°C 高硼硅玻璃, 最 高温度550°C	Steatite 陶瓷	Stainless steel 不锈钢表面
88.51.7.27.92707.5	40W			220-250V			
88.51.7.27.91507.5	25W			110-130V			
88.51.7.27.91707.5	40W			110-130V			
88.51.7.27.92508.5	25W			220-250V			
88.51.7.27.92708.5	40W			220-250V			
88.51.7.27.91508.5	25W			110-130V			
88.51.7.27.91708.5	40W			110-130V			

• Other cable versions on request

湿·洗碗机灯 WET Dishwasher light



型号/Model 88.22.6.63
 安装尺寸/Installation Size φ48mm
 端子/Terminal 250 公端子/ Male Terminal(6.3*0.8)
 灯罩安装方式/ Lamp Shade Installation Way 螺丝坚固/ Screw fastening



Dishwasher light

Related product parameters

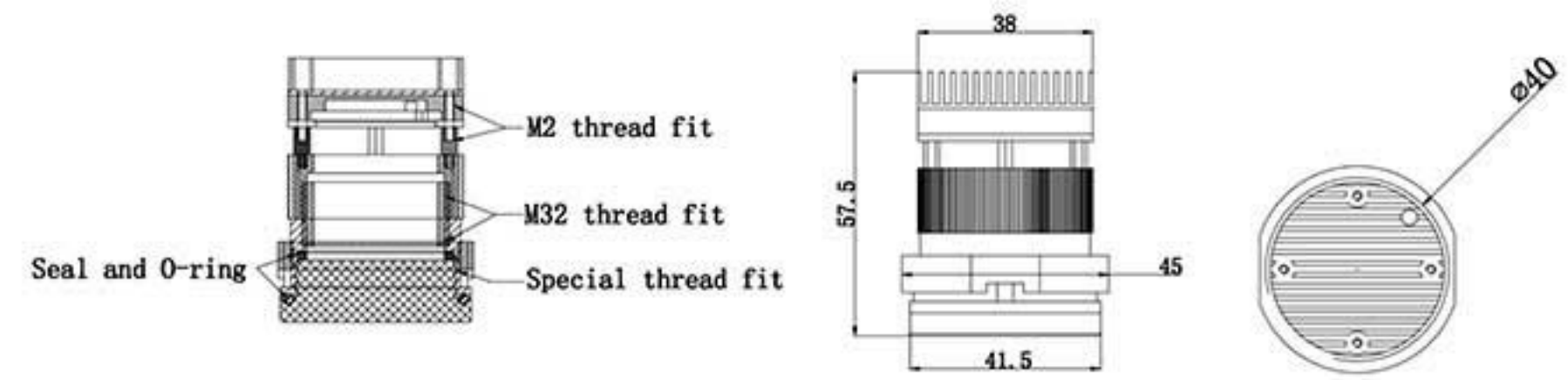
产品编码 Product Code	产品功率 Power	固定方式 fixing	灯泡型号 Bulb Type	电压 Voltage	灯罩材料 Lens	灯座材质 Lampholder	灯壳材料 Reflector
88.22.6.63.92507.5	25W	Snap in fixing 卡入式	G9	220-250V	borosilicate glass 550°C 高硼硅玻璃, 最高温度 550°C	Steatite 陶瓷	Stainless steel 不锈钢表面
88.22.6.63.92707.5	40W			220-250V			
88.22.6.63.91507.5	25W			110-130V			
88.22.6.63.91707.5	40W			110-130V			
88.22.6.63.92508.5	25W			220-250V			
88.22.6.63.92708.5	40W			220-250V			
88.22.6.63.91508.5	25W			110-130V			
88.22.6.63.91708.5	40W	110-130V					
88.22.6.63.92507.3	25W	Snap in fixing 卡入式	G9	220-250V	Soda Lime glass 350°C 钠钙玻璃, 最高温度 350°C	Steatite 陶瓷	Stainless steel 不锈钢表面
88.22.6.63.92707.3	40W			220-250V			
88.22.6.63.91507.3	25W			110-130V			
88.22.6.63.91707.3	40W			110-130V			
88.22.6.63.92508.3	25W			220-250V			
88.22.6.63.92708.3	40W			220-250V			
88.22.6.63.91508.3	25W			110-130V			
88.22.6.63.91708.3	40W			110-130V			

• Other cable versions on request

LED烤箱灯 LED oven light



型号/Model JV-LEDKXD-002
 安装尺寸/Installation Size φ40mm
 端子/Terminal 250 母端子/ Female Terminal(6.3*0.8)
 灯罩安装方式/ Lamp Shade Installation Way 螺旋拧紧/ Spiral tightening



LED oven light

Related product parameters

产品编码 Product Code	产品功率 Power	电线型号 Wires	电线耐温 Temperature	固定方式 fixing	灯泡型号 Bulb Type	电压 Voltage	灯罩材料 Lens	灯座材质 Lampholder	灯壳材料 Reflector
JV-LEDKXD-002	3-5W	10362/18#	max, 250°C	Screw fixing 螺丝固定	LED	12V	borosilicate glass 550°C 高硼硅玻璃, 最高温度 550°C	aluminum 铝	aluminum 铝

• Other cable versions on request

LED烤箱灯 LED oven light



型号/Model JV-LEDKXD-003

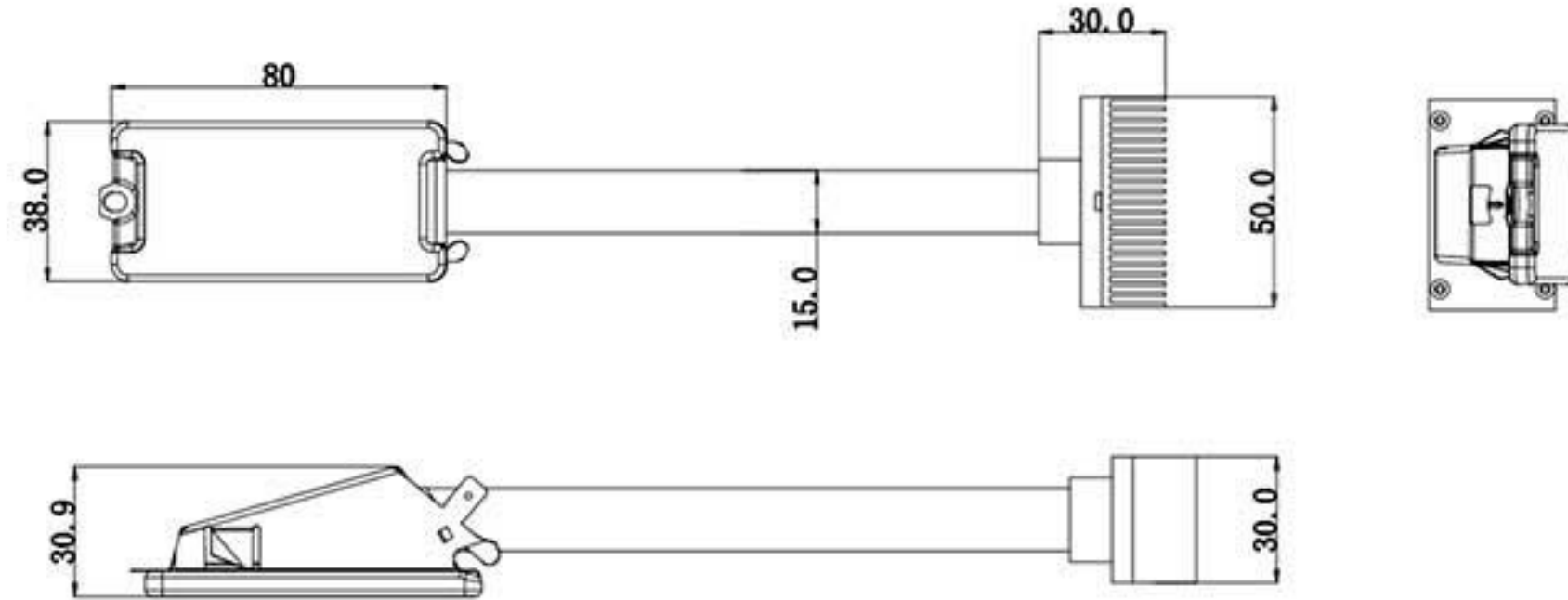
安装尺寸/Installation Size 30*70mm

端子/Terminal 250 母端子/
Female Terminal(6.3*0.8)

灯罩安装方式/
Lamp Shade Installation Way 卡入式/Snap-in



认证/
Certified



LED oven light

Related product parameters

产品编码 Product Code	产品功率 Power	电线型号 Wires	电线耐温 Temperature	固定方式 fixing	灯泡型号 Bulb Type	电压 Voltage	灯罩材料 Lens	灯座材质 Lampholder	灯壳材料 Reflector
JV-LEDKXD-003	3-5W	10362/18#	max , 250°C	Screw fixing 螺丝固定	LED	12V	borosilicate glass 550°C 高硼硅玻璃, 最 高温度550°C	aluminun 铝	Stainless steel 不锈钢

• Other cable versions on request

LED烤箱灯 LED oven light



型号/Model JV-LEDKXD-004

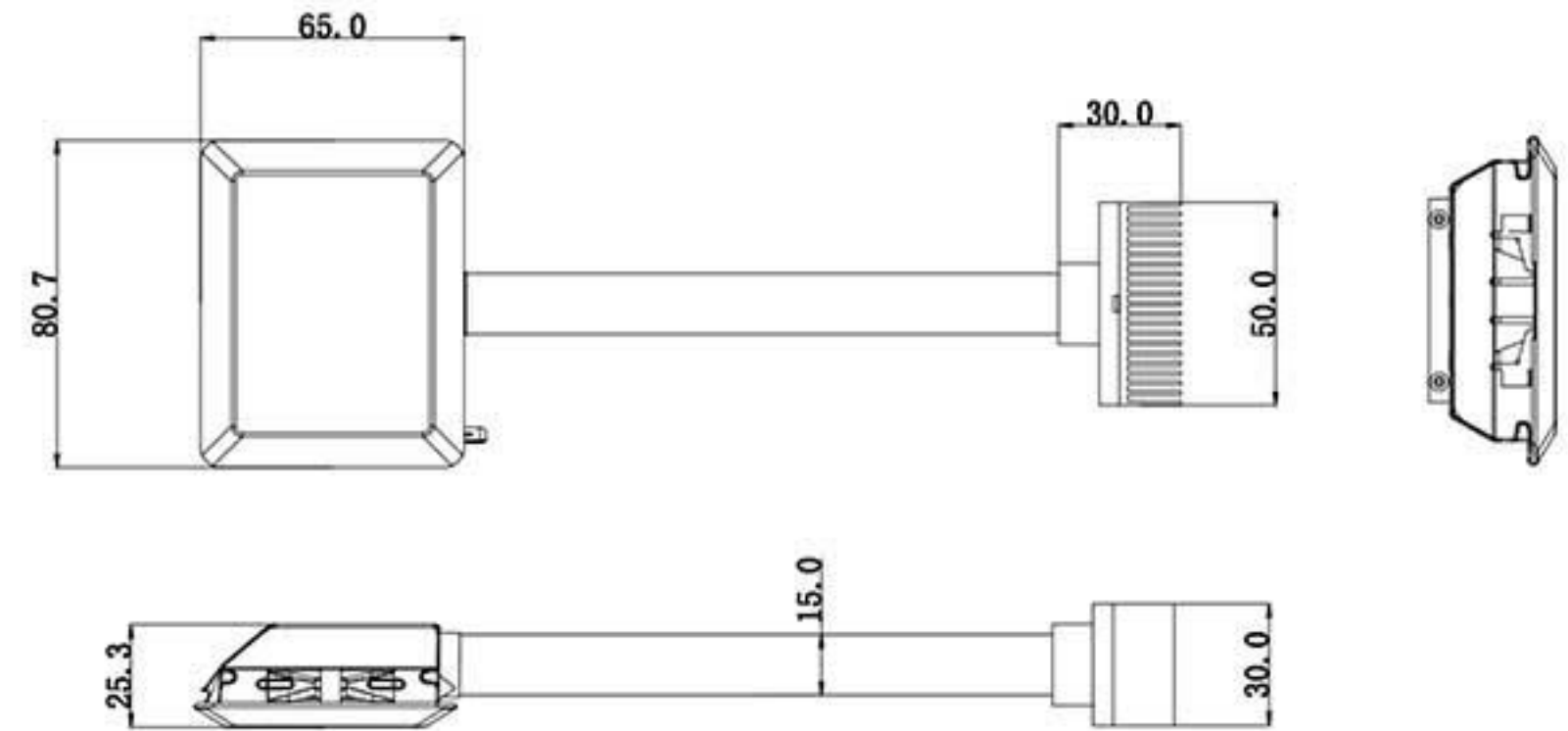
安装尺寸/Installation Size 55*70mm

端子/Terminal 250 母端子/
Female Terminal(6.3*0.8)

灯罩安装方式/
Lamp Shade Installation Way 卡入式/Snap-in



认证/
Certified

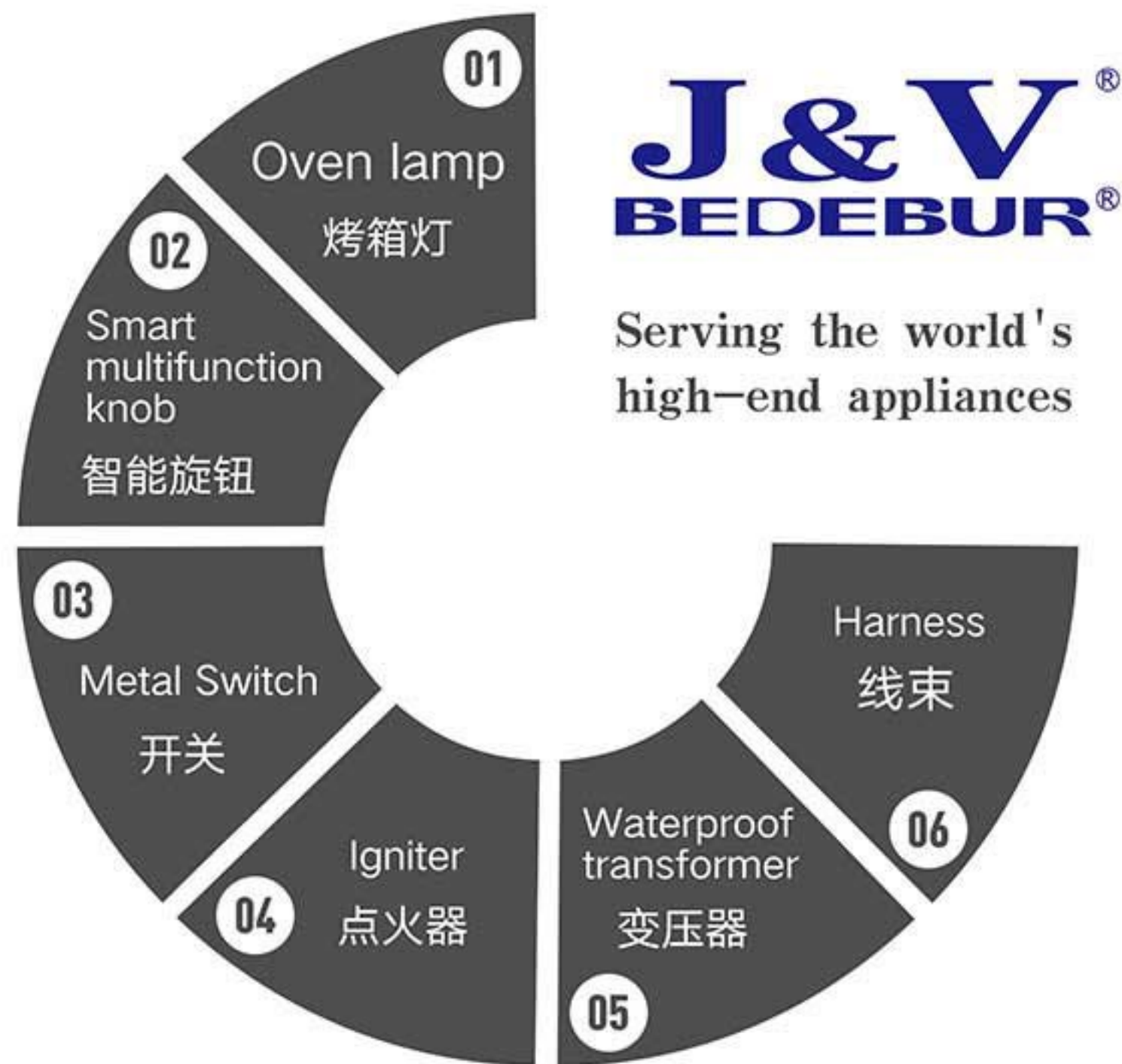


LED oven light

Related product parameters

产品编码 Product Code	产品功率 Power	电线型号 Wires	电线耐温 Temperature	固定方式 fixing	灯泡型号 Bulb Type	电压 Voltage	灯罩材料 Lens	灯座材质 Lampholder	灯壳材料 Reflector
JV-LEDKXD-004	3-5W	10362/18#	max , 250°C	Screw fixing 螺丝固定	LED	12V	borosilicate glass 550°C 高硼硅玻璃, 最 高温度550°C	aluminun 铝	Stainless steel 不锈钢

• Other cable versions on request



Oven lamp



Smart multifunction knob



Metal Switch



Igniter



Waterproof transformer



Harness



Gas Cylinder meter



Electrical Contronller



Oven & grill thermometer



J&V Technology full range of products

剑 威 科 技 全 系 列 产 品