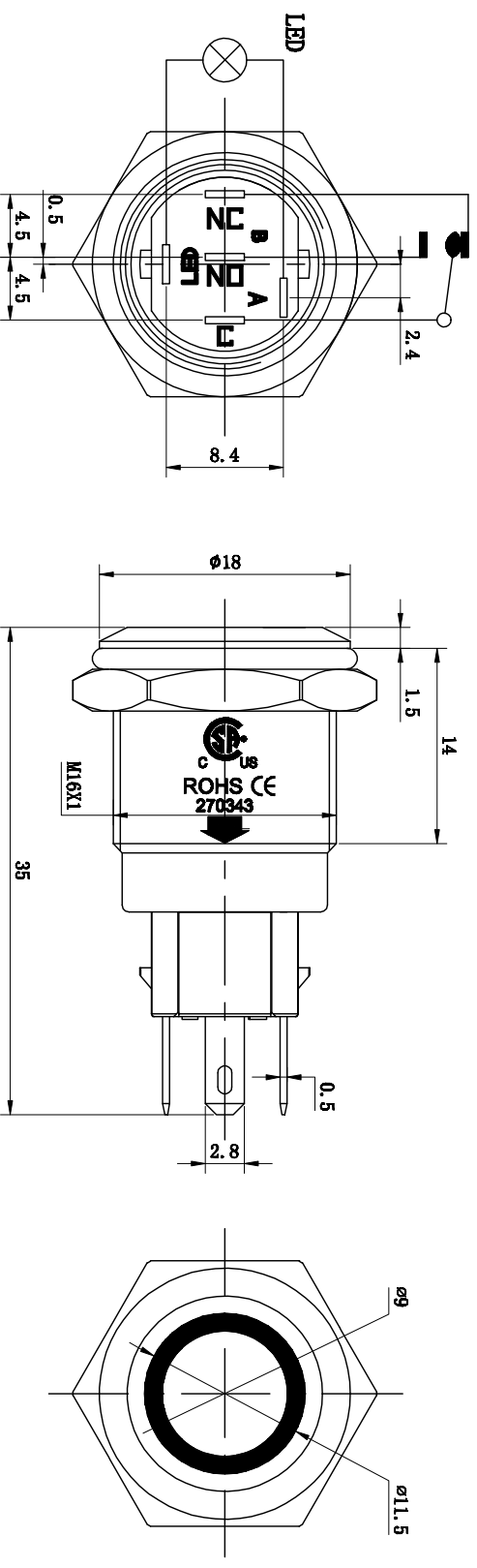


This Drawing is Owned by J&V Electronic Science and Technology Co., Ltd. and the Use or Reproduction of All or Part of the Drawing Must be Approved in Writing by J&V Electronic Science and Technology Co., Ltd. 此圖樣為J&V電子科技有限公司所有，所有圖樣的圖樣必須經J&V電子科技有限公司書面同意。

| | | | |
|-------------------|----|----------------------|--|
| 版次 Version | A0 | 物料编号 Drawing No | |
| 客户代号 Customers | | 客户料号 Customers No | |



| | | | | | | | | | | | | |
|---|---|--|---|--|---|--|---|--|---|--|---|--|
| 1 | A | | B | | C | | D | | E | | F | |
| 2 | A | | B | | C | | D | | E | | F | |
| 3 | A | | B | | C | | D | | E | | F | |
| 4 | A | | B | | C | | D | | E | | F | |
| 5 | A | | B | | C | | D | | E | | F | |
| 6 | A | | B | | C | | D | | E | | F | |

| | | | | | | | | |
|---------------------------------|------------------------|---------------------------------|-----------------|-------------------------|----------------------|---------------------|------------------------------|----------------|
| 标记 Mark | 更改前 Before Change | 更改后 After Change | 签名 Signature | 日期 Date | 产品型号 Model No | 图纸编号 Drawing No | 数量 Quantity | 材质 Material |
| 尺寸/公差 Dimension Tolerance | GB/T 1804-2000 粗 等级 | 投影方向 Projection Direction | ± 1° | 校对/日期 Collation/Date | 规格 Specifications | 零件名称 Part's Name | 表面处理 Surface Treatment | |

J&V
Electronic Science & Technology Co., Ltd