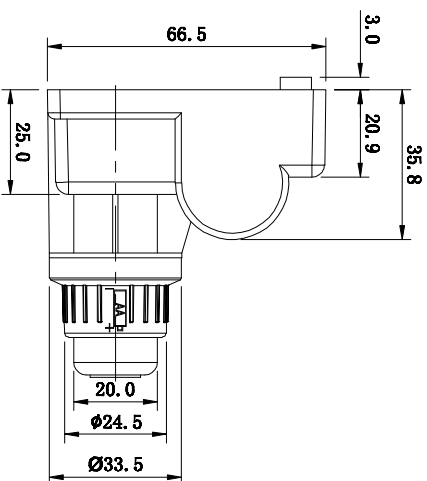
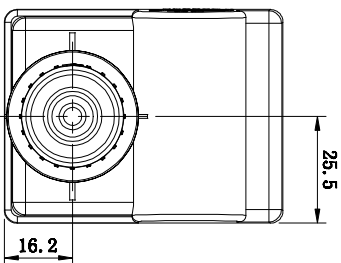
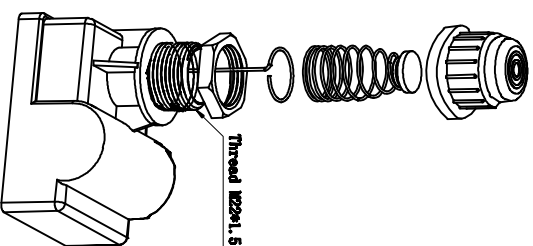
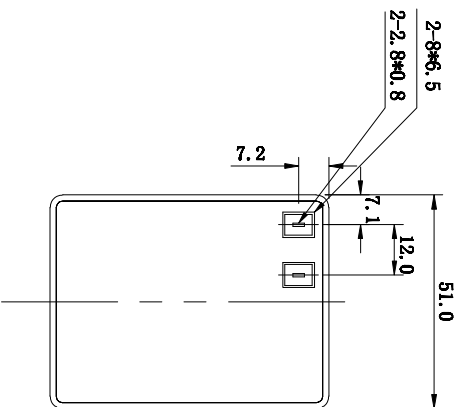
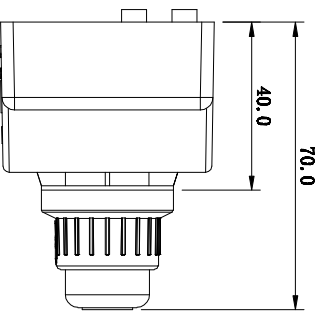


This Drawing is Owned by J&V Electronic Science and Technology Co., Ltd., and the Use or Reproduction of All or Part of the Drawing Must be Approved in Writing by J&V Electronic Science and Technology Co., Ltd.
 此圖紙為創能電子科技有限公可所擁有，所有或部份圖紙使用或複製必須經創能電子科技有限公可書面同意。

版次 Version A0 物料编号 Drawing No



- Product Description:
- Working Voltage: 1.5V DC (No. A15 1.5 battery)
 - Output Current: $\geq 125V$
 - Working Current: $< 250mA$
 - Discharge Frequency: 5~12Hz
 - High Voltage Output Terminal: 2 (2.8*0.8)
 - Discharge Distance: 4.0~5.5mm; (Length of Ignition Line $\leq 1.8m$)
 - Working Environment Temperature: $-20^{\circ}C \sim 105^{\circ}C$
 - Working Environment Humidity: $< 95\%$
 - Service Life: > 35000 times



1											
2											
3											
4											
5											
6											
标记 Mark 更改前 Before Change 更改后 After Change 投影方向 Projection Direction 角度公差 Angle Tolerance 尺寸公差 Dimension Tolerance			签名 Signature 日期 Date 产品型号 Model No 制图/日期 Drawing/Date 校对/日期 Collation/Date 审核/日期 Verify/Date			图纸编号 Drawing No 规格 Specifications 数量 Quantity 零件名称 Parts Name 材质 Material 表面处理 Surface Treatment			58-2202 J&V Electronic Science & Technology Co., Ltd 5 6		