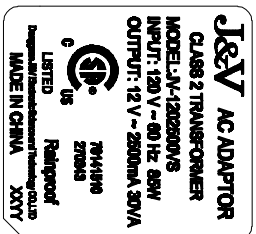
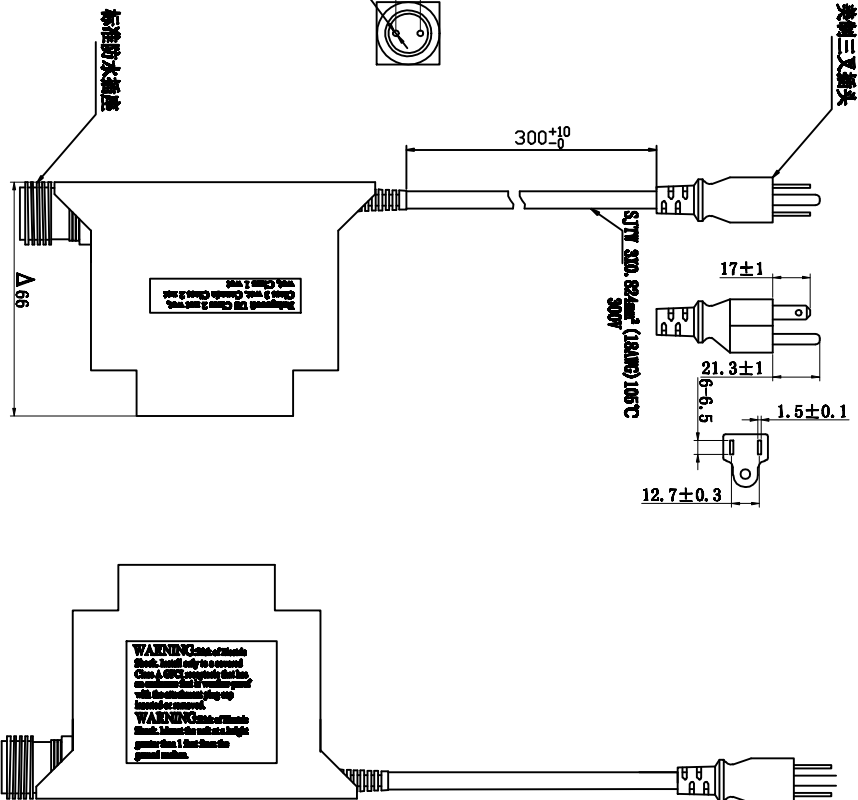
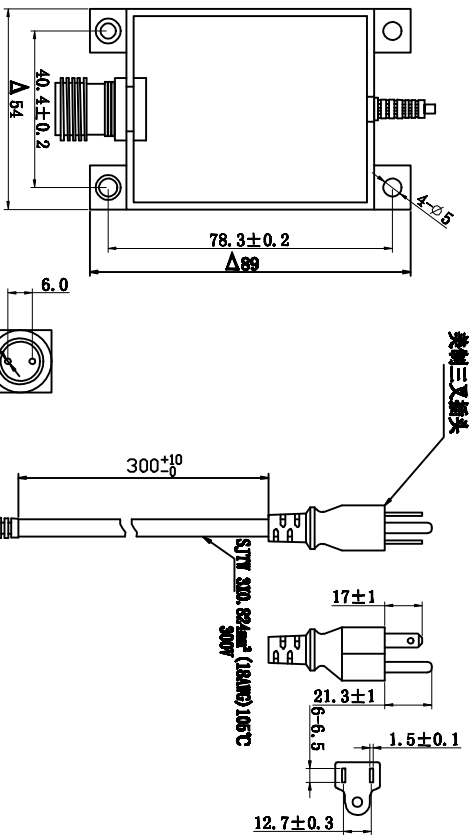


This Drawing is owned by J&V Electronic Science and Technology Co., Ltd., and the use or reproduction of All or Part of the Drawing without the approval in writing by J&V Electronic Science and Technology Co., Ltd. is prohibited. 此图由J&V电子科技有限公司所有, 未经本公司书面许可, 任何单位和个人不得擅自复制或传播。

版次 Version	A0	物料编号 Drawing No	ES02013
---------------	----	--------------------	---------



WARNING: Risk of Electric Shock. Install only to a covered Class A GFCI receptacle that has an enclosure that is weather-proof with the attachment plug cap inserted or removed.

WARNING: Risk of Electric Shock. Mount the unit at a height greater than 1 foot from the ground surface.

- 技术要求
1. 产品符合国家标准, 通过UL认证, 材料上印有清晰标识、牌号、认证说明;
 2. 产品型号: JY-1202500V/S;
 3. 输入: 120V 60Hz 60W; 输出: 12V 2500mA 30VA;
 4. 产品尺寸符合国家标准;
 5. 单个产品用白色喷码标注;
 6. 交货日期按交期, 交期=交货100%按图要求交货。

INPUT: 120V/AC 60Hz
OUTPUT: 12V/AC 2500mA 30VA

更改前 Before Change	更改后 After Change	签名 Signature	日期 Date	产品型号 Model No	JY-1202500V/S	图纸编号 Drawing No	规格 Specifications	数量 Quantity	零件名称 Parts Name	美标变压器	材质 Material
标记 Mark	更改前 Before Change	更改后 After Change	签名 Signature	日期 Date	产品型号 Model No	JY-1202500V/S	规格 Specifications	数量 Quantity	零件名称 Parts Name	美标变压器	材质 Material
尺寸公差 Dimension Tolerance	±5	投影方向 Projection Direction	角度公差 Angle Tolerance	±1°	校核/日期 Verify/Date						

J&V

Electronic Science & Technology Co., Ltd

A B C D E F