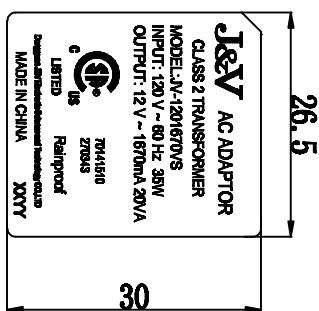
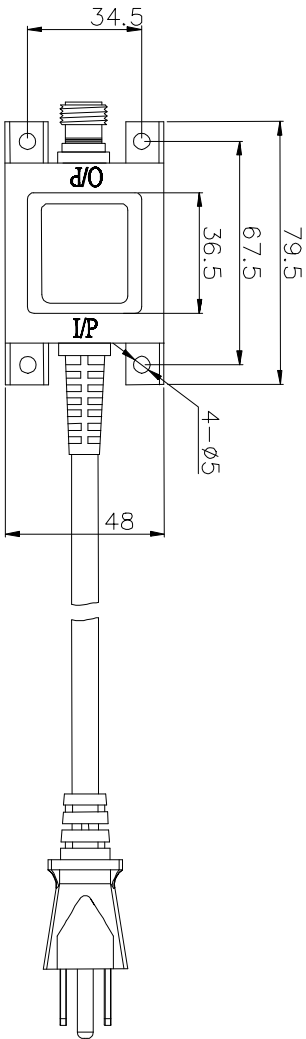


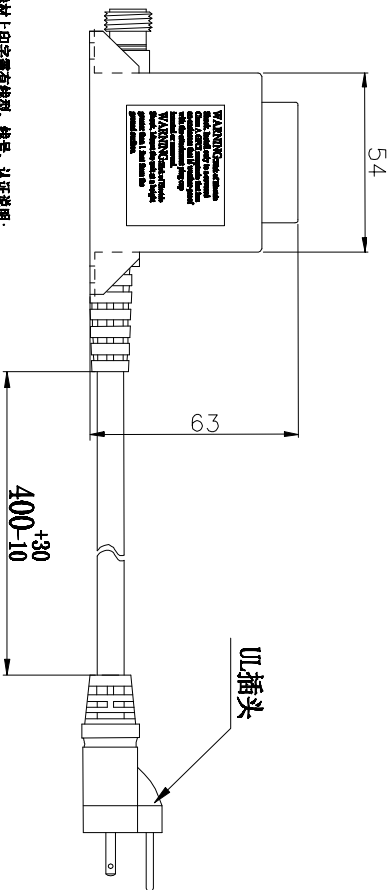
This Drawing is owned by J&V Electronics Balance and Technology Co., Ltd. and the use or reproduction of All or Part of the Drawing without the approval in writing by J&V Electronics Balance and Technology Co., Ltd. is prohibited. 此图由J&V电子有限公司所有, 未经J&V电子有限公司书面批准, 复制或再行发布, 均属于侵权行为。



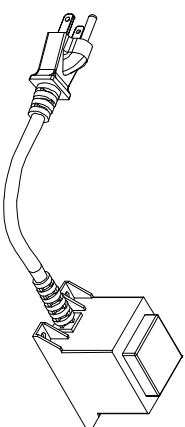
标识放大

Rainproof: US Class 2 not wet, Class 3 wet, Canada Class 2 not wet, Class 1 wet

WARNING: Risk of Electric Shock. Insert only to a covered Class A GFCI receptacle that has an enclosure that is weather-proof with the attachment plug cap inserted or removed.
WARNING: Risk of Electric Shock. Mount the unit at a height greater than 1 foot from the ground surface.



- 技术要求
1. 产品符合UL要求, 通过UL认证, 线材上印有规格、线号、认证说明;
 2. 产品型号: JV-1201670WS;
 3. 输入: 120V 60Hz 35W; 输出: 12V 1670mA 20VA;
 4. 产品尺寸符合图版要求;
 5. 单个产品用白盒独立包装;
 6. 交压绝缘必须按照UL 5085-3进行100%绝缘耐受试验。



更改前 Before Change	更改后 After Change	签名 Signature	日期 Date	产品型号 Model No	JV-1201670WS	图纸编号 Drawing No	规格 Specifications	数量 Quantity	零件名称 Parts Name	实际电压 Actual Voltage	表面处理 Surface Treatment
标记 Mark		投影方向 Projection Direction	角度公差 Angle Tolerance	审核/日期 Verify/Date		<p>J&V Electronic Science & Technology Co., Ltd</p>					
尺寸公差 Dimension Tolerance	±5		±1°								

A B C D E F

版次 Version	A0	物料编号 Drawing No	5202013
---------------	----	--------------------	---------

1 2 3 4 5 6