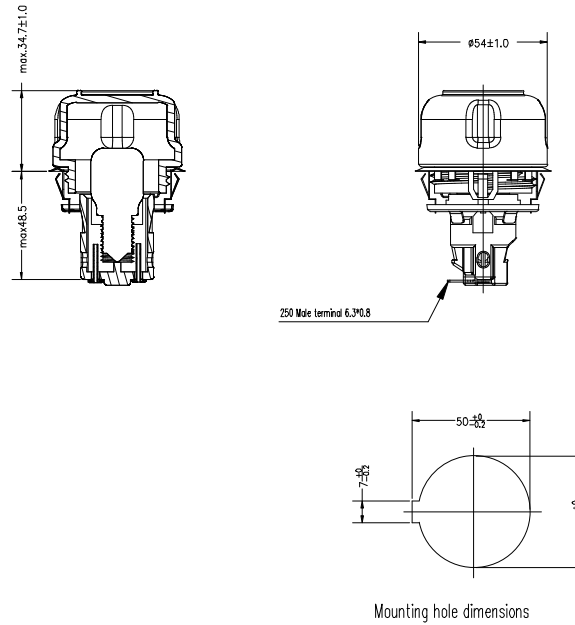


HOT Halogen Oven Lamps

88.31.6.63

J&V

Approval:



Snap in fixing

Lamp: E14, 15,110–130V

– Lens: sod–lime glass(hard glass) 350 deg C

– Spherical spray treatment

– Sleeve: CrNi

– Housing: stainless steel.

– Lampholder: Ceramic 88.3

– Lighting for the Domestic Appliance Industry

– Oven lamps for round cut–outs Ø48 mm

pkg. 120

wt. 120 g

part no. 88.31.6.63