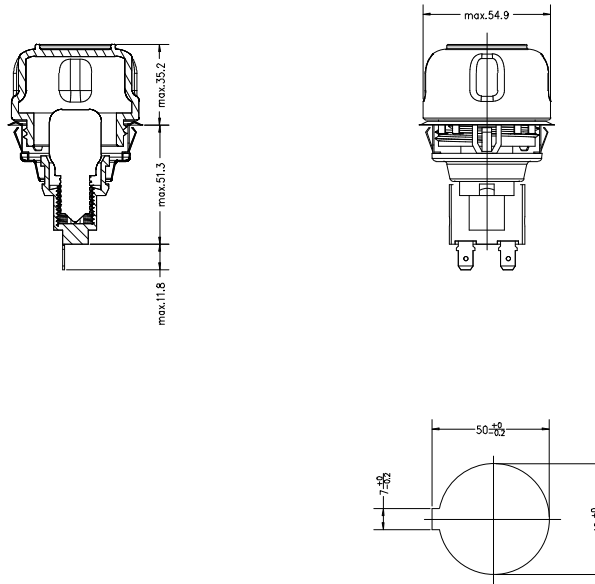


HOT Halogen Oven Lamps

88.32.6.63
J&V

Approval:



Mounting hole dimensions

Snap in fixing

Lamp: E14, 15W, 110-130V

- Lens: sod-lime glass (hard glass) 350 deg C
- Sleeve: CrNi
- Housing: stainless steel.
- Lampholder: Ceramic 88.32
- Lighting for the Domestic Appliance Industry
- Oven lamps for round cut-outs $\varnothing 48$ mm

pkg. 120

wt. 120 g

part no. 88.32.6.63