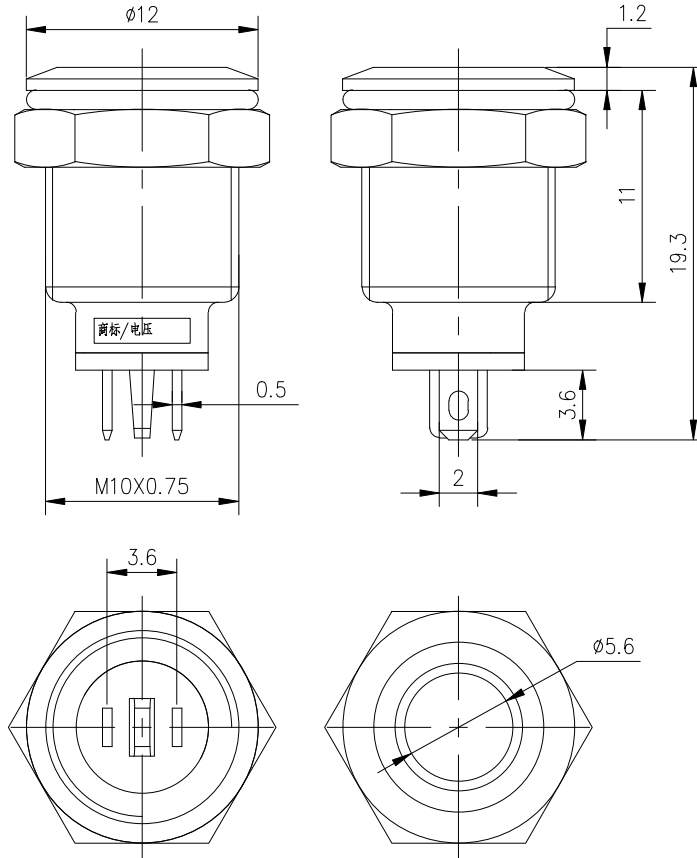


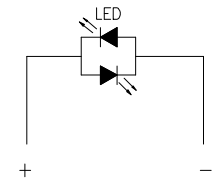
*This Drawing is Owned by J&V Electronic Science and Technology Co., Ltd., and the Use or Reproduction of All or Part of the Drawing Must Be Approved in Writing by J&V Electronic Science and Technology Co., Ltd.
此图属威利威电子科技有限公司所有，所有或复制必须经威利威电子科技有限公司书面同意。

版次 Version	A0	物料编号 Drawing No	
客户名称 Customers		客户料号 Customers No	



- Technical Parameters:
- the surface is clean, even luster;
 - rated voltage: AC250V/2A;
 - LED rated load: DC5V、6V、12V、24V、36V、48V, AC110V、AC220V;
 - the working environment temperature: -20°C — $+85^{\circ}\text{C}$;
 - the wiring form: Insert with matching connector, Welding the wire, pay attention to welding time and temperature;
 - Tightening torque: 5—14N.m;
 - Appearance material:
Housing: 304/Brass nickel plating/Aluminum alloy oxidation;
Base: PBT ;
Pins: H62 gold plated;
 - Installation size: Opening diameter $\phi 10.2\text{mm}$;
 - Explosion-proof level: IK08;
 - LED lamp beads life: 40000h;
 - Insulation resistance: $\geq 1000\text{M}\Omega$.

单色电器原理图



紫		P
橙		O
白		W
黄		Y
蓝		B
绿		G
红		R
颜色	色标	符号

				产品型号 Model No	18.10A.1.5.X.X.2	图纸编号 Drawing No			数量 Quantity			材质 Material		
标记 Mark	更改前 Before Change	更改后 After Change	签名 Signature	日期 Date	制图/日期 Drawing/Date	规格 Specifications			零件名称 Parts Name	10A指示灯	表面处理 Surface Transaction			
尺寸公差 Dimension Tolerance		GB/T 1804—2000 粗糙度		投影方向 Projection Direction		校对/日期 Collation/Date								
		角度公差 Angle Tolerance		$\pm 1^{\circ}$		审核/日期 Verifying/Date								



Electronic Science & Technology Co., Ltd