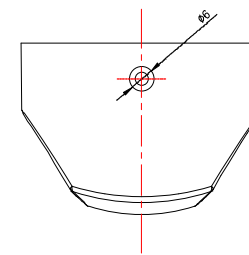
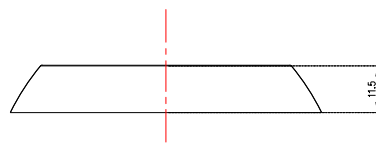
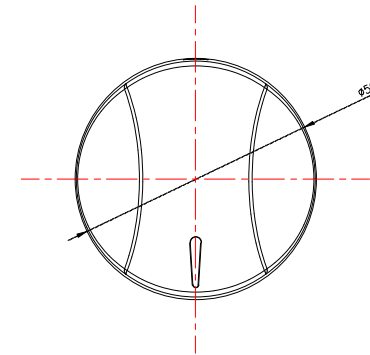
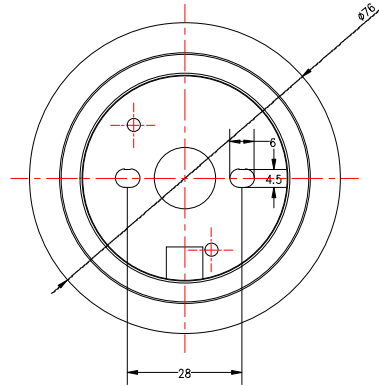


"THIS DRAWING IS THE PROPERTY OF J&V Co., Ltd NO PART OF THIS DOCUMENT
MAY BE COPIED OR USED WITHOUT THE WRITTEN PERMISSION OF J&V Co., Ltd"
此 创威公司所 有, 所有或部份 之使用或复制必 威公司 面同意。

版次		物料 编号	
客户代号		客户物料	
Customers		Customers No	



Technical parameters:
 Clean surface, uniform gloss
 Rated voltage: 12V
 LED rated load: 3V
 Waterproof cover: PC
 Lamp-socket material: ABS, Stainless steel,
 Plastic, Zinc alloy
 Lamp surface treatment:
 Nickel-plated wire drawing
 3014 lamp beads specifications
 Forward current=30mA
 Voltage=2.8-3.6V
 Color rendering index=65-85
 Luminous flux=9-12LM
 Power=0.1W
 Life>50000H
 Size=3.0(length)x1.4(width)x0.8(thickness)

Our Company Feature is Brand Customize Services! We can give you a unique design,
Exclusive to your product! Our knobs are available in various styles and colors.

					产品 型号 Model No	JV-XND-202	图纸 编号 Drawing No		数 量 Quantity		材 质 Material	ABS
标记 Mark	更改前 Before Change	更改后 After Change	签名 Signature	日期 Date	制图/日期 Drawing/Date		规格 Specifications		零件 名称 Parts Name	嵌钮装饰盖	表面 处理 Surface Transaction	镀镍拉丝
尺寸公差 Dimension Tolerance		投影 方向 Projection Direction		校对/日期 Collation/Date		 Electronic Science & Technology Co., Ltd						
		角度 公差 Angle Tolerance	± 1°	审核/日期 Verifying/Date								