

A B C D E F

"THIS DRAWING IS THE PROPERTY OF J&V Co., Ltd NO PART OF THIS DOCUMENT MAY BE COPIED OR USED WITHOUT THE WRITTEN PERMISSION OF J&V Co., Ltd"
 此 图 纸 公 司 所 有 ， 所 有 权 属 份 之 使 用 或 复 制 必 须 经 公 司 面 同 意 。

版次		物料编号 Drawing No	
客户代号 Customers		客户物料 Customers No	

1 1

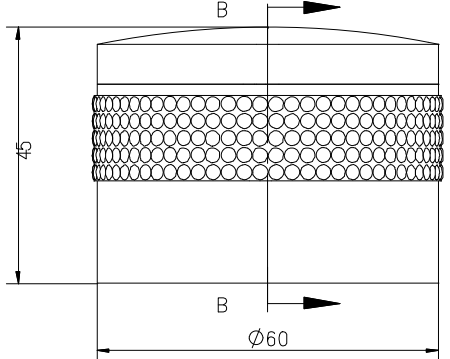
2 2

3 3

4 4

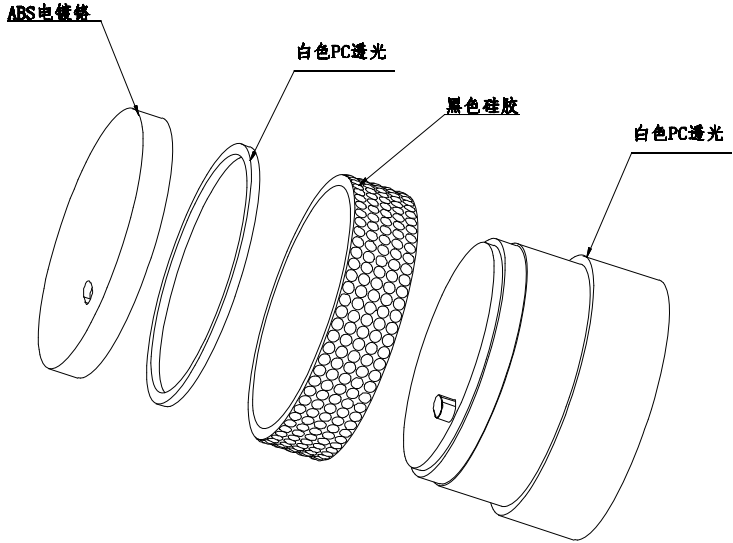
5 5

6 6



Technical parameters:
 Clean surface, uniform gloss
 Rated voltage: 12V
 LED rated load: 3V
 Waterproof cover: PC
 Lamp-socket material: ABS, Stainless steel, Plastic, Zinc alloy
 Lamp surface treatment:
 Nickel-plated wire drawing
 3014 lamp beads specifications
 Forward current=30mA
 Voltage=2.8-3.6V
 Color rendering index=65-85
 Luminous flux=9-12LM
 Power=0.1W
 Life>50000H
 Size=3.0(length)x1.4(width)x0.8(thickness)

Our Company Feature is Brand Customize Services! We can give you a unique design, Exclusive to your product! Our knobs are available in various styles and colors.



标记 Mark	更改前 Before Change	更改后 After Change	签名 Signature	日期 Date
尺寸公差 Dimension Tolerance		投影方向 Projection Direction		校对/日期 Collation/Date
		角度公差 Angle Tolerance	± 1°	审核/日期 Verifying/Date

产品型号 Model No	JV-XND-212	图纸编号 Drawing No		数量 Quantity		材原 Material	ABS
规格 Specifications		零件名称 Parts Name		表面处理 Surface Transaction		镀镍拉丝	
				Electronic Science & Technology Co., Ltd			

A B C D E F