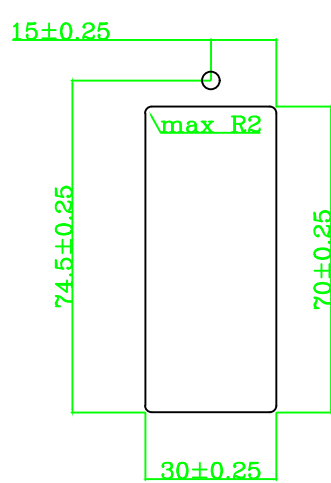
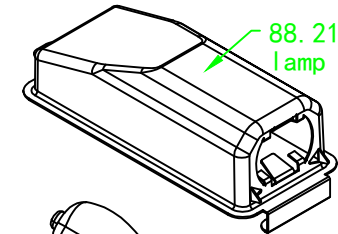
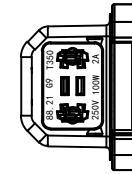
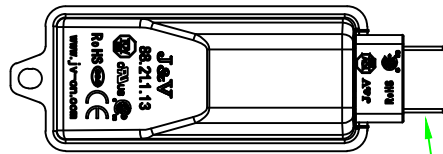
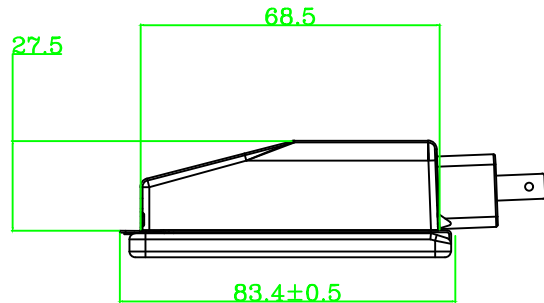
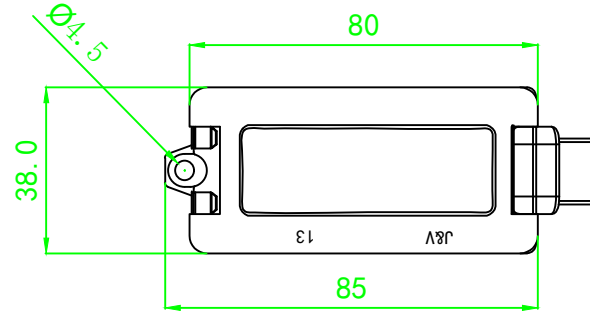


"This Drawing Is Owned by J&V Science and Technology Co., Ltd., and the Use or Reproduction of All or Part of the Drawing Must Be Approved in Writing by J&V Science and Technology Co., Ltd."  
 此圖紙為劍威科技有限公司所擁有。所有或部份圖紙使用或复制必須經劍威科技有限公司書面同意。

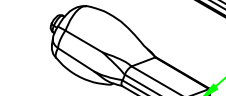
版本 Version	A0	物料 编号 Drawing No	
客户名称 Customers		客户料号 Customers No	



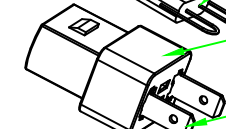
Mounting Dimension



88.21.1.13 Stretch lamp case



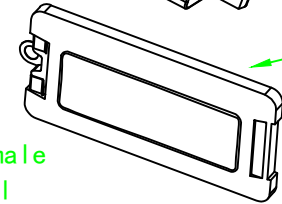
G9 230V 25W Bulb



88.21 lampholder



2-250 male terminal



13# High boron glass lamp shade

2-250 male terminal  
(6.3\*0.8)

Technical parameter  
88.21.1.13

- 1, Installation mode: screw fixed;
- 2, Installation size: 30\*70MM;
- 3, Light bulb: G9 230V 25W;
- 4, Lampshade: 13# plane high borosilicate glass, the maximum temperature 550°C;
- 5, Terminal: 6.3\*0.8 (250 straight insert);
- 6, Lampshade installation mode: card type;
- 7, Lamp holder: ceramic lamp holder 88.21;
- 8, Bulb maximum temperature: 550 degrees Celsius;
- 9, Safety regulations: TUV, cURus, CQC, CE, SAA, ROHS;
- 10, Lamp shell: SUS

标记 Mark	更改前 Before Change	更改后 After Change	签名 Signature	日期 Date	产品 型号 Model No	卤素灯	图纸 编号 Drawing No	88.21.1.13	数量 Quantity		材 质 Material	
					制图/日期 Drawing/Date	刘凯 2023.09.01	规格 Specifications	G9 230V 25W	零件 名称 Parts Name		表面 处理 Surface Transaction	
尺寸普通公差 Dimension Tolerance	GB/T 1804-2000 粗糙级		投影 方向 Projection Direction		校对/日期 Collation/Date		J&V Science & Technology Co., Ltd 劍威科技					
			角度 公差 Angle Tolerance	$\pm 1^\circ$	审核/日期 Verify/Date							