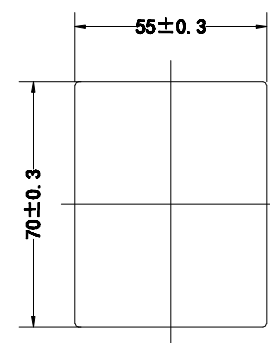
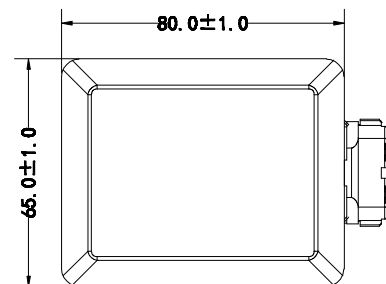
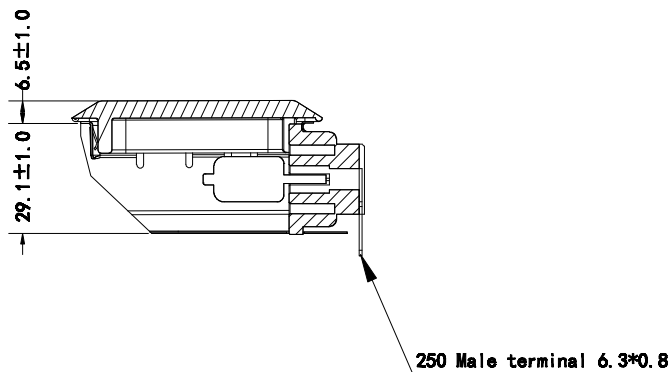


HOT Halogen Oven Lamps

88.22.7.25
J&V

Approval:      



Mounting hole dimensions

Snap in fixing

Lamp: G9, 25W, 220-250V

- Lens: borosilicate glass 550 deg C
- Housing: stainless steel.
- Lampholder: Ceramic 88.22
- Lighting for the Domestic Appliance Industry
- Oven lamps with rectangular 70 x 55 mm

pkg. 120

wt. 120 g

part no. 88.22.7.25