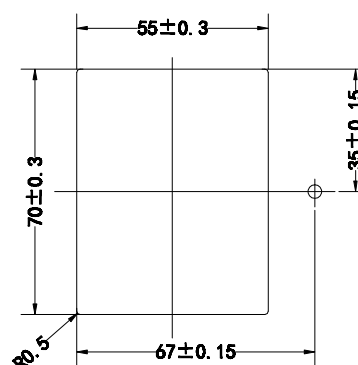
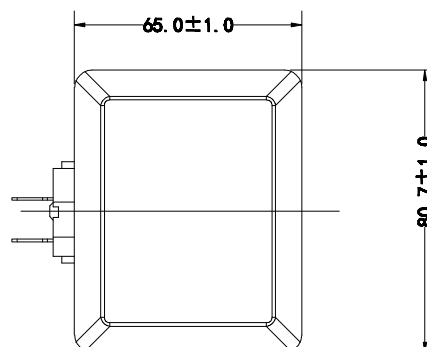
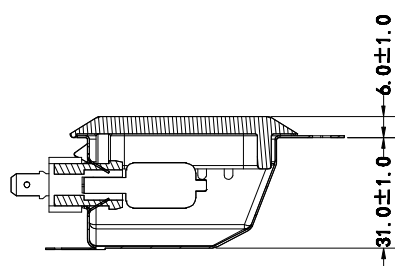


HOT Halogen Oven Lamps

88.51.4.22

J&V

Approval:



Mounting hole dimensions

Screw fixing

Lamp: G9, 25W, 230-240V

- Lens: borosilicate glass 550 deg C
- Housing: stainless steel.
- Lampholder: Ceramic 88.51
- Wires: Cu, nickel plated 0.75 mm²,
with Glass fibre (max.450° C)/PTFE(max 250° C)
- Free cable length: 300 mm
- Other cable versions on request.
- Lighting for the Domestic Appliance Industry
- Oven lamps with rectangular 70 x 55 mm

pkg. 120
wt. 120 g
part no. 88.51.4.22