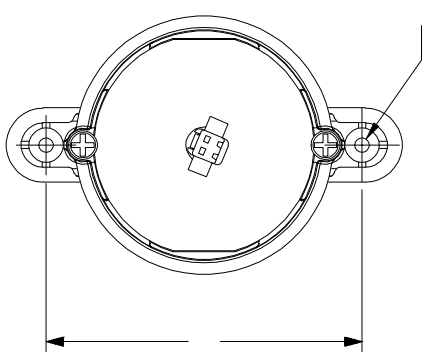
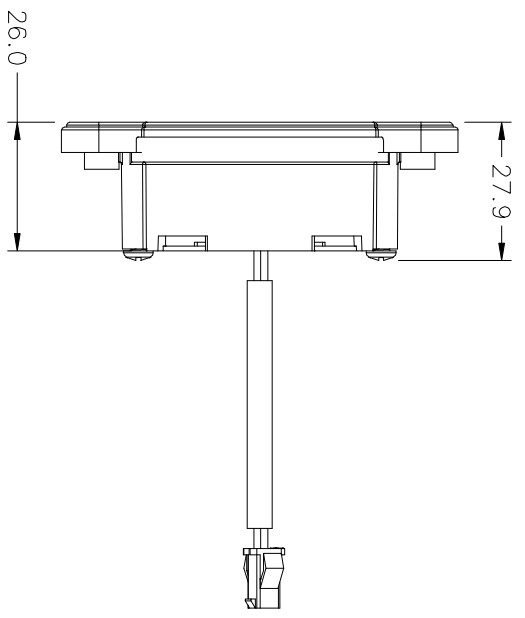
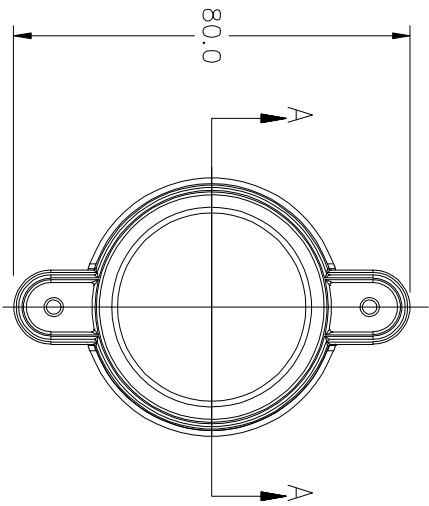


**A** This Drawing Is Owned by J&V Electronic Science and Technology Co., Ltd, and the Use or Reproduction of All or Part of the Drawing Must Be Approved in Writing by J&V Electronic Science and Technology Co., Ltd.  
**B** 此圖紙為劍威電子科技有限公司所擁有，所有或部份圖紙使用或複製必須經劍威電子科技有限公司書面同意。

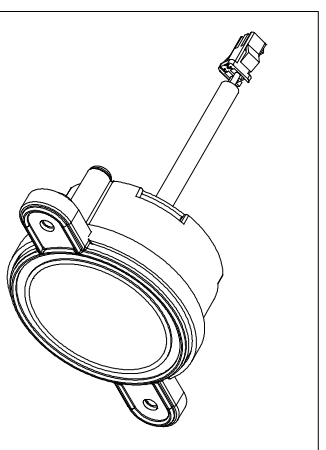
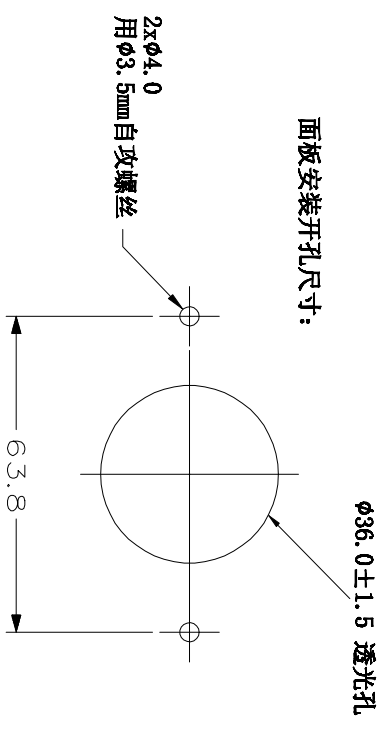
<b>C</b>	<b>D</b>	<b>E</b>	<b>F</b>
版本 Version	A0	物料编号 Drawing NO.	
客户代号 Customers		客户料号 Customers No.	



**Technical requirements:**

- JV-LEDKXD-001**
1. Rated voltage:DC 12V, AC 9V, no positive and negative difference;
  2. Working current:120mA;
  3. Lamp type:5730, 9 in total;
  4. Color temperature: Warm White 2800~3200K;
  5. Lumen value:160LM;
  6. Range of working temperature: -20℃~120℃;
  7. Length of use:3000H.

**面板安装开孔尺寸:**



标记 Mark	更改前 Before Change	更改后 After Change	签名 Signature	日期 Date	产品型号 Model No.	JV-LEDKXD-001	规格 Specifications	数量 Quantity	材质 Material
	粗微级				日期/日期 Drawing/Date		零件名称 Parts Name	增光灯	表面处理 Surface Treatment

尺寸公差 Dimension Tolerance	GB/T 1804-2000 粗微级	投影方向 Projection Direction	角度公差 Angle Tolerance	± 1°	校核/日期 Check/Date	审核/日期 Verify/Date
-----------------------------	-----------------------	------------------------------	-------------------------	------	---------------------	----------------------

**J&V**  
Electronic Science & Technology Co., Ltd

**A** **B** **C** **D** **E** **F**