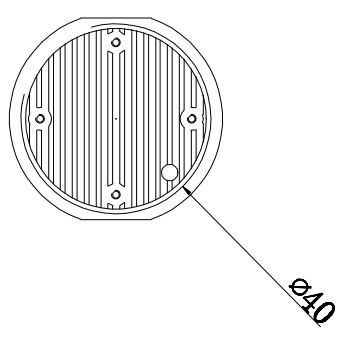
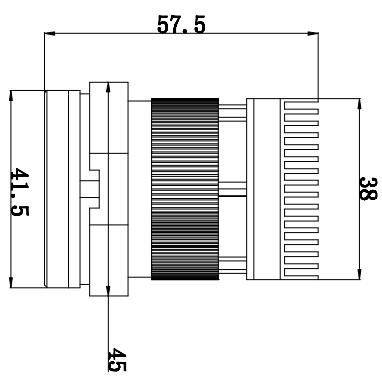
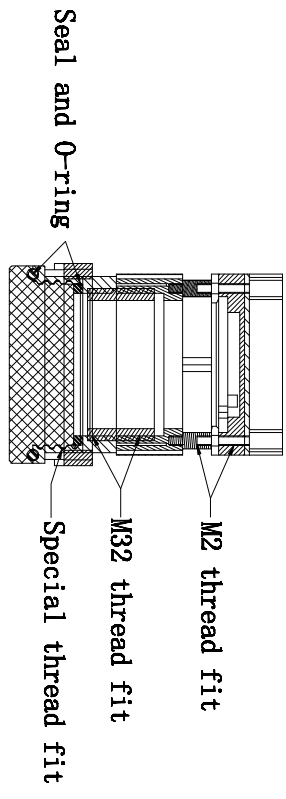


A This Drawing Is Owned by J&V Electronic Science and Technology Co., Ltd, and the Use or Reproduction of All or Part of the Drawing Must Be Approved in Writing by J&V Electronic Science and Technology Co., Ltd.
B 此圖紙為劍威電子科技有限公司所擁有，所有或部份圖紙使用或複製必須經劍威電子科技有限公司書面同意。

| | | | |
|-------------------|----------|-----------------------|----------|
| C | D | E | F |
| 版本 Version | A0 | 物料编号 Drawing NO. | |
| 客户代号 Customers | | 客户料号 Customers No. | |



- Technical requirements:**
JV-LEDKXD-002
1. Power:3-5V;
 2. Wires:10962/18#, High temperature resistance 250°C;
 3. Mounting mode:Screw fixing;
 4. Mounting dimensions: ϕ 40mm;
 5. Lightbulb:LED;
 6. Lens:high borosilicate glass temperature resistance 550°C;
 7. Terminal:250 Female terminal (6.3x0.8MM) ;
 8. Lampholder:aluminum;
 9. Housing material:aluminum;
 10. Certificate:CE, ROHS.

| | | | | | | |
|-------------------|-----------------------|------------------------------|-------------------------|---------------|--------------------------|---------------------------|
| 6 | A | B | C | D | E | F |
| 标记 Mark | 更改前 Before Change | 更改后 After Change | 签名 Signature | 日期 Date | 产品型号 Model No. | JV-LEDKXD-002 |
| 尺寸公差 Tolerance | 粗微级 GB/T 1804-2000 | 投影方向 Projection Direction | 角度公差 Angle Tolerance | $\pm 1^\circ$ | 规格/日期 Drawing No. | 规格 Specifications |
| | | | | | 数量 Quantity | 零件名称 Parts Name |
| | | | | | 审核/日期 Verify/ing/Date | 增补灯 |
| | | | | | | 表面处理 Surface Treatment |
| | | | | | | 材质 Material |

J&V
 Electronic Science & Technology Co., Ltd