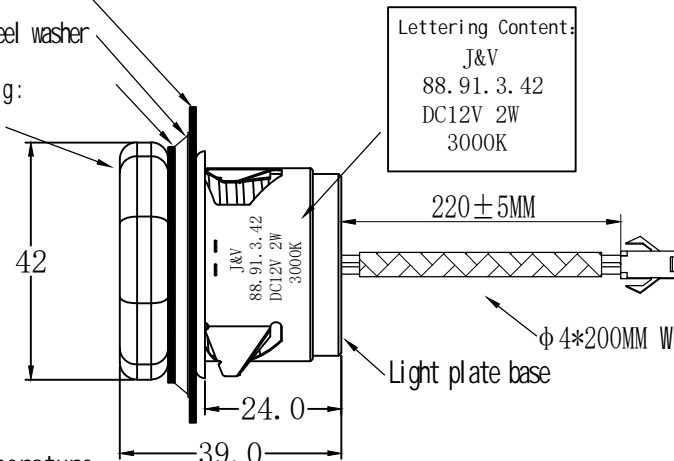


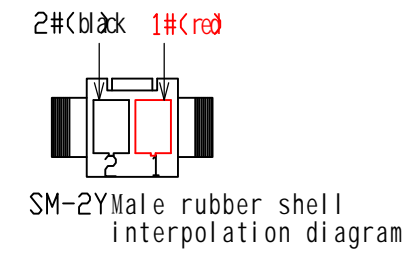
"This Drawing Is Owned by J&V Science and Technology Co., Ltd., and the Use or Reproduction of All or Part of the Drawing Must Be Approved in Writing by J&V Science and Technology Co., Ltd. 此圖紙為劍威科技有限公司所擁有，所有或部份圖紙使用或复制必須經劍威劍威科技有限公司書面同意。"

版次	A0	物料 编号	
客户名称		客户编号	
Customers		Customers No	

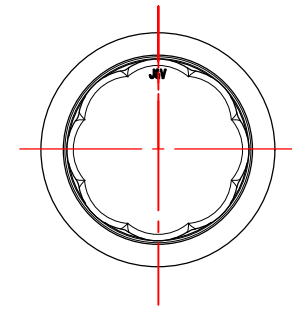
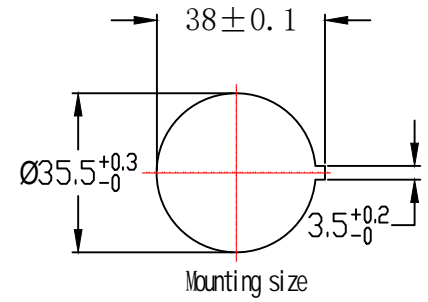
Large brown silicone ring: Outer diameter 54.5MM  
 Stainless steel washer  
 Small brown silicone ring:  
 Outer diameter: 42MM  
 42#Lampshade(short)



Lettering Content:  
 J&V  
 88.91.3.42  
 DC12V 2W  
 3000K



Technical requirements:  
 1. Material:  
 42# Lamp shade: High boron glass;  
 Sealing ring: imported silicone, temperature resistance 300°C;  
 Lamp housing :SUS;  
 Light guide column: transparent quartz;  
 Light board: 1.0 aluminum substrate, 2835 Lamp bead DC 12V  
 Wire: UL1332 24AWG;  
 Lamp board connector: nylon temperature resistance 180 ~ 200°C  
 2, input voltage: DC 12V;  
 Color temperature: 3000-3600K;  
 3, working environment: suitable for < 250°C steaming oven;  
 4, PCB and line use special high temperature solder.



					产品 型号	LED light	图纸 编号	88.91.3.42	数量	材 质
					Model No		Drawing No		Quantity	Material
标记	更改前	更改后	签名	日期	制图/日期	liu Kai	规格		零件 名称	表面 处理
Mark	Before Change	After Change	Signature	Date	Drawing/Date	2022.12.19	Specifications		Parts Name	Surface Transaction
尺寸普通公差	±5	投影 方向	⊕	校对/日期	<b>J&amp;V</b> J&V Science & Technology Co., Ltd 劍威科技					
Dimension Tolerance		Projection Direction	± 1°	审核/日期						